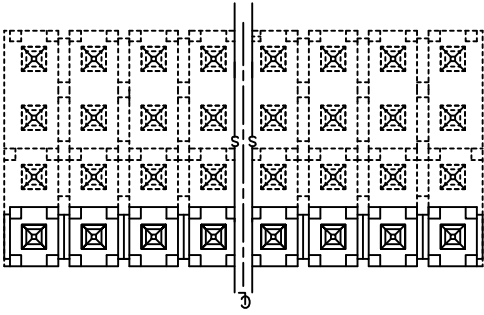
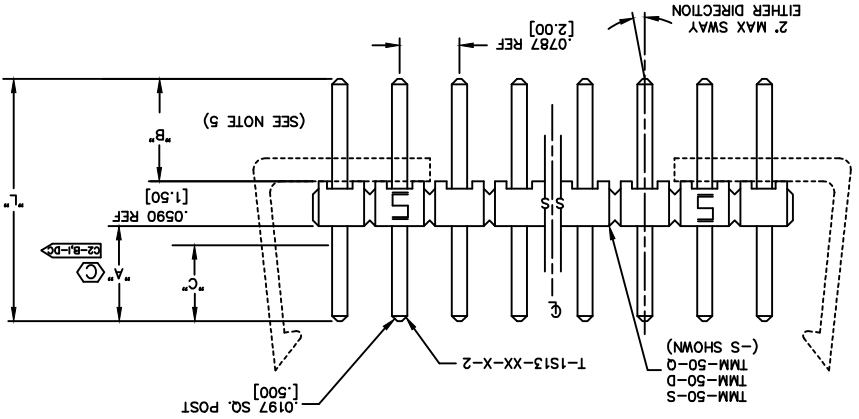
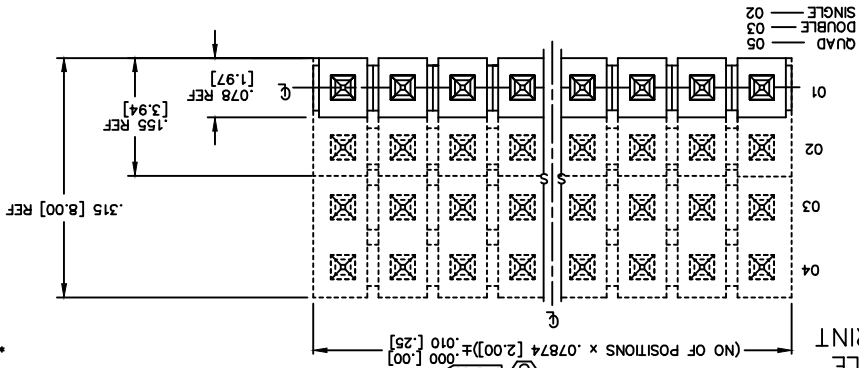


DO NOT SCALE
FROM THIS PRINT

FIG. 1

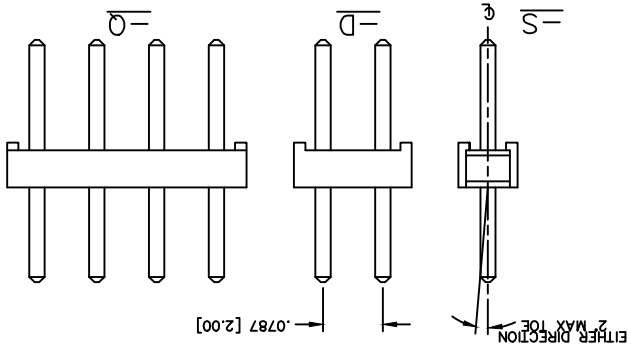


PROPRIETARY NOTE
THIS DOCUMENT CONTAINS UNCLASSIFIED INFORMATION EXCEPT WHERE SHOWN OTHERWISE. IT IS THE PROPERTY OF SAMTEC AND IS LOANED TO YOU BY THE COMPANY. IT IS TO BE USED ONLY FOR THE PURPOSES AND PERIOD OF TIME SPECIFIED BY THE COMPANY. IT IS NOT TO BE REPRODUCED, COPIED, OR DISSEMINATED IN ANY MANNER WITHOUT THE WRITTEN CONSENT OF SAMTEC INC.

CRITICAL DIMENSION INSPECTION TABLE	
ASSEMBLY OPERATION	FILL 1-1S13
REPRESS METAL WASHER	C2*, C3
MULTI CUT	C1
* WHERE APPLICABLE	

- NOTES:
1. MAX. ALLOWABLE BOW: .005 IN/IN [mm/mm] AFTER ASSEMBLY.
 2. MAX. PIN ROTATION IN BODY: 2°
 3. PUSHOUT FORCE SHALL BE 1 lb MIN.
 4. (C) REPRESENTS A CRITICAL DIMENSION.
 5. TAIL WILL BE SHEARED ON -.04 & -.05 REFERENCE TABLE 1.
 6. MAX CUT FLASH .010 [25]
 7. MAX SHEAR BURR .003 [08]
 8. ORIENTATE PINS TO PREVENT BANDOULER MARKS FROM SHOWING IN THE POST AREA. (SEE TABLE 3)
 9. APPROVED FOR WAVE SOLDER APPLICATION ONLY.
 10. RETAINING CLIP FOR -.06 LEAD STYLE ONLY.

SUFFIX	TERMINAL	A IN [MM]	B IN [MM]	C IN [MM]	TAIL (OVERALL LENGTH)
-01	T-1S13-20-XX-2	1.00 [2.54]	1.38 [3.50]	1.00 [2.54]	.323 [8.20]
-02	T-1S13-20-XX-2	1.18 [3.00]	1.46 [3.70]	1.00 [2.54]	.323 [8.20]
-03	T-1S13-20-XX-2	1.08 [2.70]	1.58 [4.00]	1.00 [2.54]	.323 [8.20]
-04	T-1S13-20-XX-2	0.75 [1.90]	1.07 [2.71]	1.00 [2.54]	.323 [8.20]
-05	T-1S13-21-XX-2	0.85 [1.85]	1.09 [2.76]	1.00 [2.54]	.323 [8.20]
-06	T-1S13-02-XX-2	1.26 [3.20]	1.92 [4.88]	1.00 [2.54]	.377 [9.58]



PLATING SPECIFICATION

-G: 20µ" GOLD IN THE CONTACT AREA, 3 GOLD ON TAIL
 -I: MATTE TIN CONTACT AND TAIL
 -L: 10µ" SELECTIVE GOLD IN CONTACT AREA, MATTE TIN ON TAIL
 -F: 3µ" FLASH SELECTIVE GOLD IN CONTACT AREA
 -H: 30µ" HEAVY GOLD IN CONTACT AREA, 3 ON TAIL
 -SM: 30µ" SELECTIVE GOLD IN CONTACT AREA, MATTE TIN ON TAIL
 -TM: MATTE TIN CONTACT AND TAIL
 -LM: 10µ" GOLD IN THE CONTACT AREA, MATTE TIN ON TAIL
 -FM: 3µ" FLASH SELECTIVE GOLD IN CONTACT AREA, MATTE TIN ON TAIL

NO. OF POSITIONS -01 THRU -50
 TERMINAL SPEC SEE TABLE 1

OPTION ** -MW: METAL WASHER
 -D & -Q BODY SPECS ONLY)

POLARIZATION POS TO BE OMITTED

BODY SPECIFICATION

-S: SINGLE (TMM-50-S)
 -D: DOUBLE (TMM-50-D)
 -Q: QUAD (TMM-50-Q)

RETAINING CLIP FOR IDC (SEE TABLE 2 PAGE 2)

USE LTC-09, DOUBLE ROW ONLY, REQUIRES 4 POSITIONS MINIMUM.

NOT FOR USE WITH -MW OPTION, SEE NOTES 9 & 10.

UNLESS OTHERWISE NOTED	ONE PLACE DECIMALS ± .1 [2.5] THREE PLACE DECIMALS ± .005 [0.13] TWO PLACE DECIMALS ± .01 [0.25] FOUR PLACE DECIMALS ± .0020 [0.05]
TITLE: 2mm TERMINAL STRIP ASSEMBLY	ANGLES ± 2°
DWG NO. TMM-1XX-XX-X-XX-XXX	SHEET 1 OF 2

EXPRESS ASSEMBLY TMM-ASM
Samtec
 520 PARK EAST BLVD, NEW ALBANY, INDIANA 47150
 PHONE (812) 944-6733 P.O. BOX 1147
 CODE 55322
 TMM-1XX-XX-X-XX-XXX
 MFG. REVISIONER 11-2-90
 SHEET 1 OF 2

MATERIAL: LIQUID CRYSTAL POLYMER
 BODIES: TERMINALS: PHOSPHER BRONZE, ALLOY
 COLOR: BLACK

X-ON Electronics

Largest Supplier of Electrical and Electronic Components

Click to view similar products for [Headers & Wire Housings](#) category:

Click to view products by [Samtec](#) manufacturer:

Other Similar products are found below :

[95000-104TRLF](#) [10135584-644402LF](#) [DF62W-EP2022PCA](#) [95000-106TRLF](#) [DF62W-2022SCA](#) [DF62W-EP2022PC](#) [2203348](#) [DF62W-2022SC](#) [1084018](#) [1029039](#) [1084017](#) [802-10-012-10-002000](#) [1112640](#) [1112639](#) [000-34000](#) [0009482033](#) [0009507031](#) [57102-S06-03LF](#) [57202-S52-04LF](#) [PCN6-15S-2.5E](#) [0039019024](#) [58102-G61-06LF](#) [582553-1](#) [0009485154](#) [0009508121](#) [0022285053](#) [0050291907](#) [018731A](#) [LY20-4P-DT1-P1E-BR](#) [02.125.8002.8](#) [60101931](#) [60598-1 \(Cut Strip\)](#) [M1625-3R/100](#) [61062-3](#) [61082-181009](#) [636-1427](#) [638009-1](#) [641938-9](#) [641991-4](#) [644168-1](#) [647662-1](#) [65039-019ELF](#) [65817-002LF](#) [65817-015LF](#) [65863-015LF](#) [66207-023LF](#) [67016-026LF](#) [67046-001LF](#) [67095-007LF](#) [67230-005LF](#)