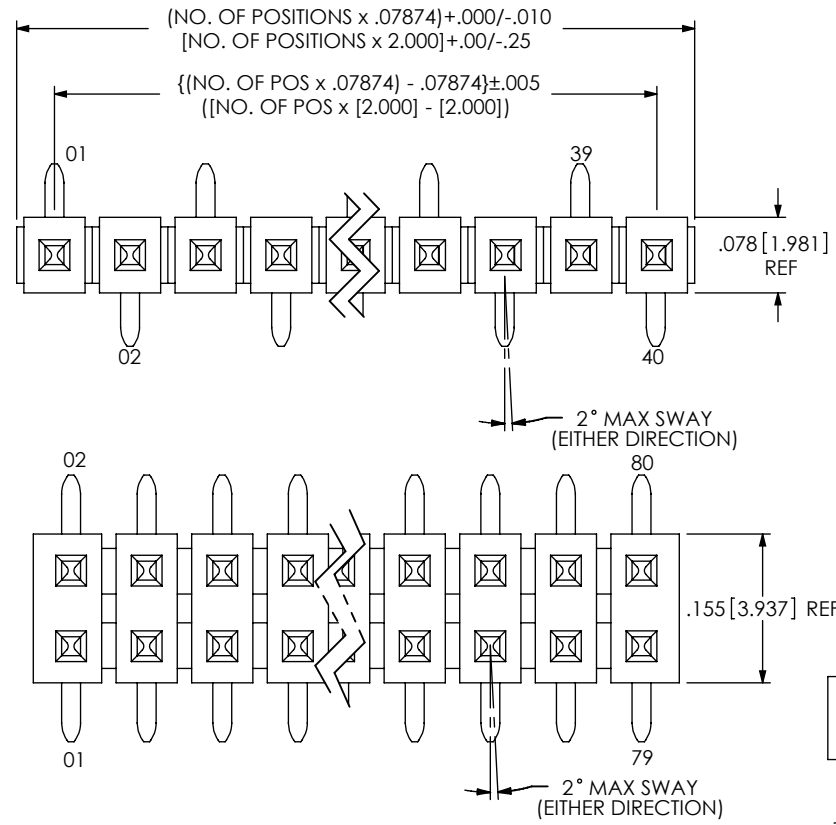


DO NOT SCALE FROM THIS PRINT

TMM-1XX-XX-XX-X-SM-XX-X



NO. OF POSITIONS PER ROW
 -02 THRU -40

TERMINAL SPEC
 -01: USE T-1S13-07-X-2
 -04: USE T-1S13-04-X-2
 -05: USE T-1S13-21-X-2
 -06: USE T-1S13-08-X-2
 (SEE NOTE 8)

PLATING SPECIFICATION
 -G: 20μ" GOLD ON CONTACT AREA, 3μ" GOLD ON TAIL
 -T: MATTE TIN ON CONTACT AND TAIL
 -S: 30μ" SELECTIVE GOLD ON CONTACT, MATTE TIN ON TAIL
 -L: 10μ" SELECTIVE GOLD ON CONTACT, MATTE TIN ON TAIL
 -F: 3μ" SELECTIVE GOLD ON CONTACT, MATTE TIN ON TAIL
 -H: 30μ" GOLD ON CONTACT, 3μ" GOLD MIN ON TAIL
 -SM: 30μ" SELECTIVE GOLD ON CONTACT, MATTE TIN ON TAIL
 -TM: MATTE TIN ON CONTACT AND TAIL
 -LM: 10μ" SELECTIVE GOLD ON CONTACT, MATTE TIN ON TAIL
 -FM: 3μ" SELECTIVE GOLD ON CONTACT, MATTE TIN ON TAIL

OPTION
 -P: PICK & PLACE PAD (AVAILABLE ON POSITIONS -03 THRU -40) (SEE SHEET 2, FIG 2)
 *-M: METAL PICK & PLACE PAD (SEE SHEET 2, FIG 2) (4 POS. MIN) (-T & -TM PLATING WITH -M OPTION AVAILABLE TO EXISTING CUSTOMERS ONLY AS OF REV BP. DO NOT DESIGN IN)
 -A: ALIGNMENT PIN (SEE SHEET 2, FIG 3) (5 POS. PER ROW MINIMUM) (NOT AVAILABLE ON SINGLE BODY SPECIFICATION)
 -TR: TAPE & REEL (AVAILABLE ON POS -03 THRU 36, POS 37 THRU -40 AVAILABLE TO EXISTING CUSTOMERS ONLY) (SEE SHEET 3)

OPTION
 POLARIZED SPECIFY POS-XX AS POS TO BE OMITTED

OPTION
 -SM: SURFACE MOUNT

BODY SPECIFICATION
 -S: SINGLE (TMM-50-S)
 -D: DOUBLE (TMM-50-D)

* FOR EXISTING CUSTOMERS ONLY

PATENT NUMBERS
 5713755 / 5961339

TABLE 2

LEAD STYLE	"A" POST	"B" (OAL)	"C"
-01	.126 [3.20]	.302 [7.67]	.100 [2.54]
-04	.075 [1.91]	.255 [6.48]	.100 [2.54]
-05	.065 [1.65]	.323 [8.20]	.080 [2.03]
-06	.168 [4.27]	.476 [12.09]	.100 [2.54]

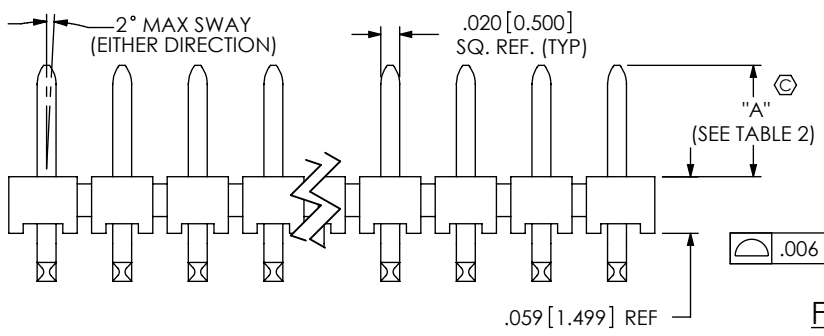
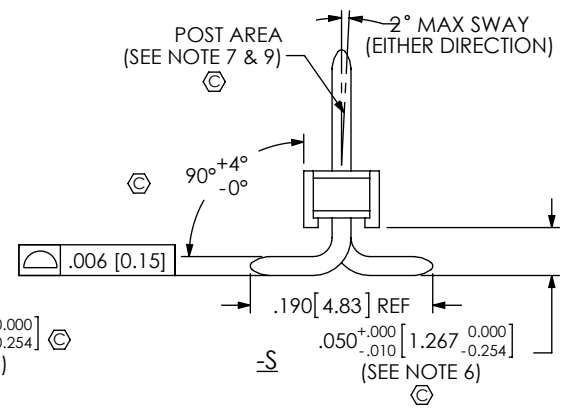
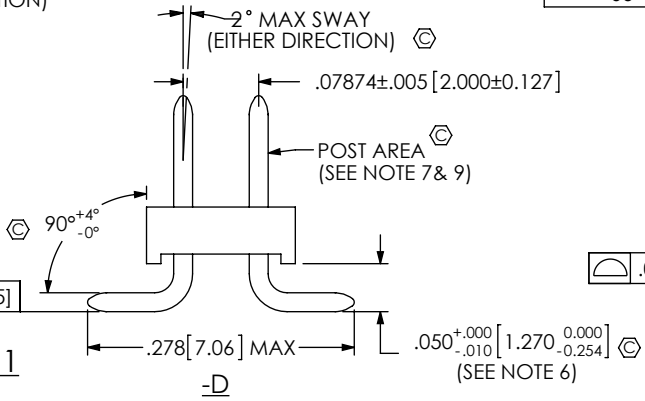


FIG 1



NOTES:

1. © REPRESENTS A CRITICAL DIMENSION.
2. MAX. PIN ROTATION IN BODY: 2°
3. PUSHOUT FORCE SHALL BE 1 lb MIN.
4. ALL DIMENSIONS IN BRACKETS [] TO BE MILLIMETERS.
5. PACKAGE POSITIONS 03-40 IN TUBES; LAYER PACKAGE -02 POSITION.
6. .050 [1.27] DIMS TO BE CHECKED AT BEND RADIUS, NOT AT END OF PIN
7. PINS TO BE INSERTED TAIL SIDE FIRST TO AVOID SCRATCHES ON CONTACT
8. SHEAR TAILS FOR -05 & -06 LEAD STYLE
9. NO BANDOLIERS ARE ALLOWED IN THE POST AREA.
10. MAX. CUT FLASH: .010 [0.25]

UNLESS OTHERWISE SPECIFIED, DIMENSIONS ARE IN INCHES. TOLERANCES ARE:
 DECIMALS ANGLES
 .XX: ±.01 2°
 .XXX: ±.005
 .XXXX: ±.0020

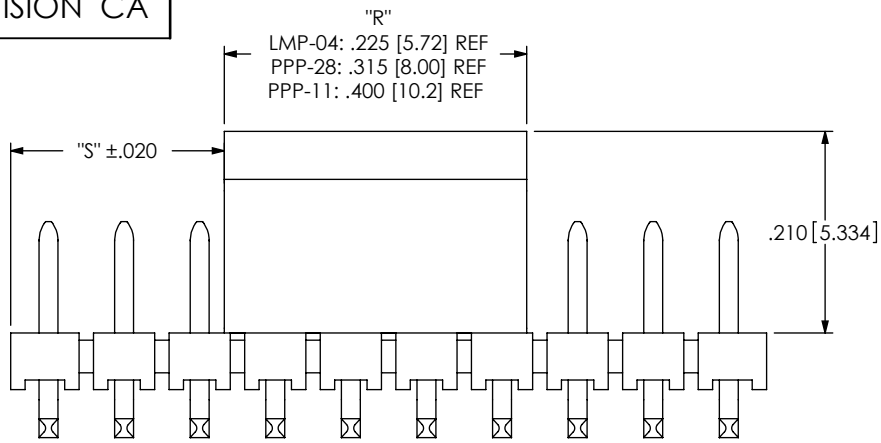
PROPRIETARY NOTE
 THIS DOCUMENT CONTAINS INFORMATION CONFIDENTIAL AND PROPRIETARY TO SAMTEC, INC. AND SHALL NOT BE REPRODUCED OR TRANSFERRED TO OTHER DOCUMENTS OR DISCLOSED TO OTHERS OR USED FOR ANY PURPOSE OTHER THAN THAT WHICH IT WAS OBTAINED WITHOUT THE EXPRESSED WRITTEN CONSENT OF SAMTEC, INC.



520 PARK EAST BLVD, NEW ALBANY, IN 47150
 PHONE: 812-944-6733 FAX: 812-948-5047
 e-Mail: info@SAMTEC.com code 53322

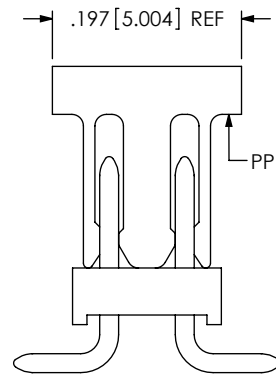
DO NOT SCALE DRAWING SHEET SCALE: 4:1
 MATERIAL BODIES: LCP UL 94 VO, COLOR BLACK
 TERMINALS: PHOSPHOR BRONZE
 F:\DWG\MISC\MKTG\TMM-1XX-XX-XX-X-SM-XX-X-MKT.SLDDRW

DESCRIPTION: 2MM TERMINAL STRIP ASSEMBLY
 DWG. NO. TMM-1XX-XX-XX-X-SM-XX-X
 BY: REIDINGER 05-22-1991 SHEET 1 OF 3

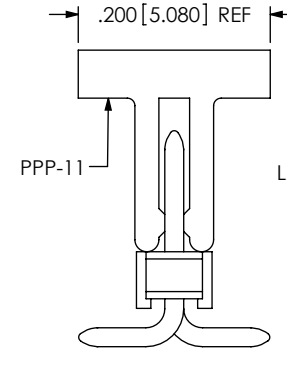


"R" = PAD SIZE ABOVE
 "S" = ((NO OF POS x .07874) - "R") / 2

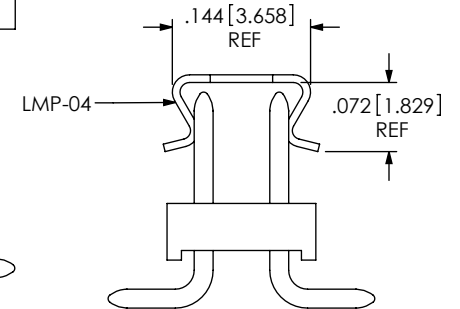
-P: PICK & PLACE PAD



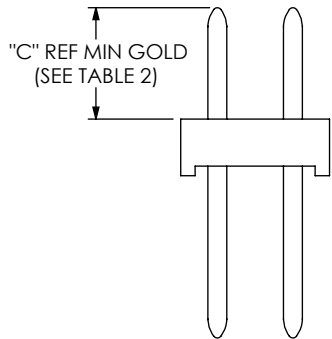
DOUBLE
 FIG 2



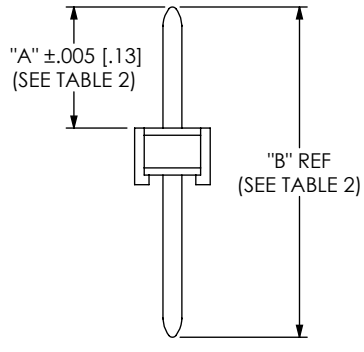
SINGLE



-M: PICK & PLACE PAD
 DOUBLE ONLY

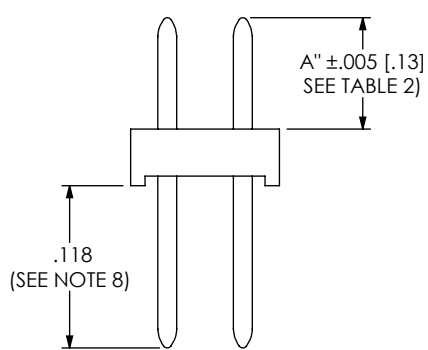


-D

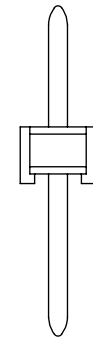


-S

IN-PROCESS 1

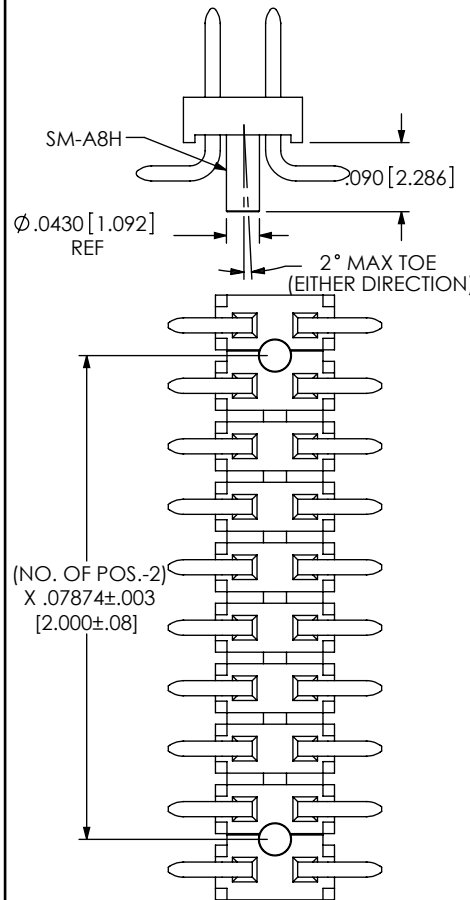


-D



-S

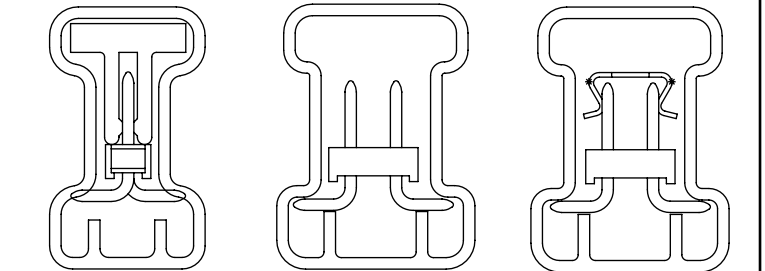
IN-PROCESS 2
 -05 & -06 LEAD STYLE ONLY



(NO. OF POS. -2)
 X .07874 ± .003
 [2.000 ± .08]

FIG 3
 -A: ALIGNMENT PIN
 (5 POS. PER ROW MINIMUM)

F:\DWG\MISC\MKTG\TMM-1XX-XX-XX-X-SM-XX-X-MKT.SLDDR2



PT-1-24-01-17
 TMM-1XX-XX-X-X-SM-S
 TMM-1XX-XX-X-X-SM-S-P
 PT-1-24-02-17
 TMM-1XX-XX-X-X-SM-D
 TMM-1XX-XX-X-X-SM-D-M

TUBE VIEW

TABLE 1 (SEE NOTE 5)		
OPTION	PKG TUBE	PLUG
-S, -S-P	PT-1-24-01-17	TP-24
-D, -D-A, -D-M, -D-A-M, -D-P, D-A-P	PT-1-24-02-17	TP-09

PROPRIETARY NOTE

THIS DOCUMENT CONTAINS INFORMATION CONFIDENTIAL AND PROPRIETARY TO SAMTEC, INC. AND SHALL NOT BE REPRODUCED OR TRANSFERRED TO OTHER DOCUMENTS OR DISCLOSED TO OTHERS OR USED FOR ANY PURPOSE OTHER THAN THAT WHICH IT WAS OBTAINED WITHOUT THE EXPRESSED WRITTEN CONSENT OF SAMTEC, INC.

DO NOT SCALE DRAWING

SHEET SCALE: 4:1

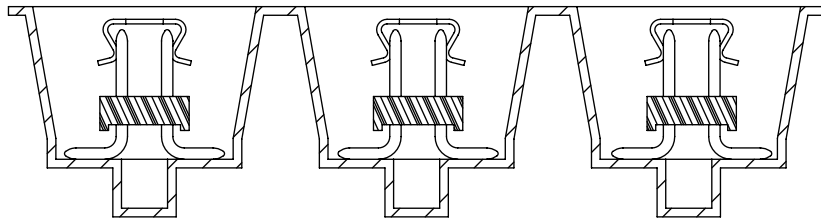
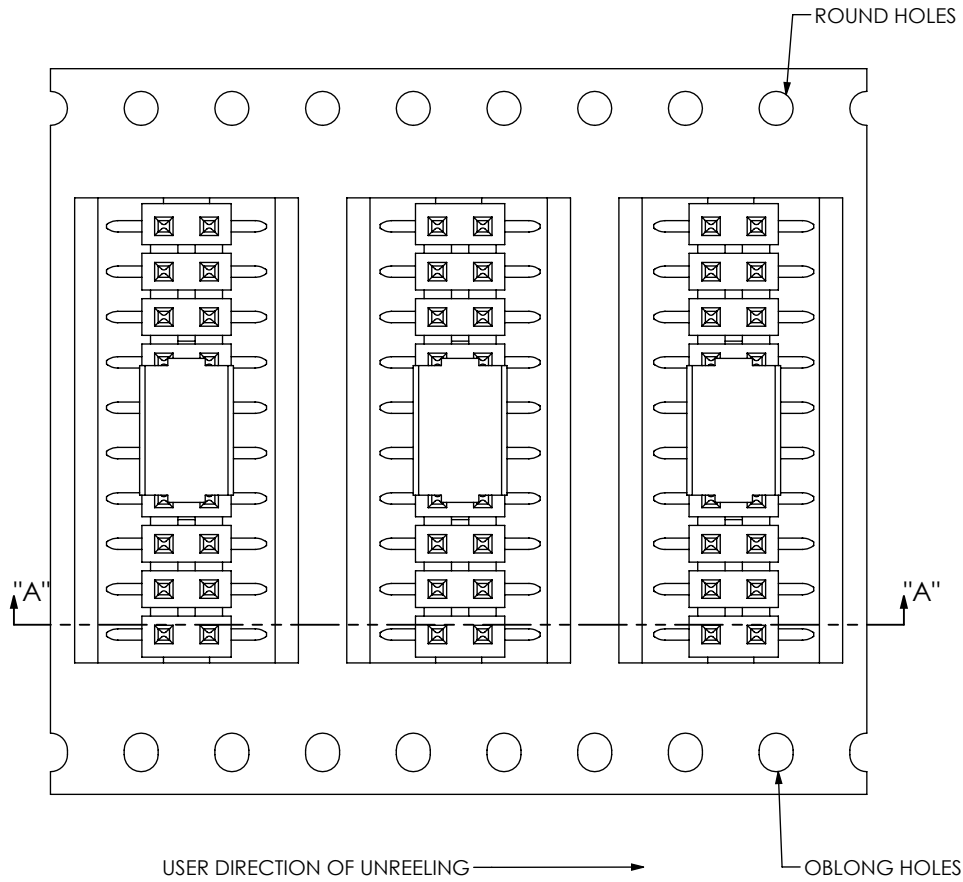


520 PARK EAST BLVD, NEW ALBANY, IN 47150
 PHONE: 812-944-6733 FAX: 812-948-5047
 e-Mail info@SAMTEC.com code 55322


DESCRIPTION:
 2MM TERMINAL STRIP ASSEMBLY

DWG. NO.
TMM-1XX-XX-XX-X-SM-XX-X

BY: REIDINGER 05-22-1991 SHEET 2 OF 3



TAPE AND REEL VIEW

<p>PROPRIETARY NOTE THIS DOCUMENT CONTAINS INFORMATION CONFIDENTIAL AND PROPRIETARY TO SAMTEC, INC. AND SHALL NOT BE REPRODUCED OR TRANSFERRED TO OTHER DOCUMENTS OR DISCLOSED TO OTHERS OR USED FOR ANY PURPOSE OTHER THAN THAT WHICH IT WAS OBTAINED WITHOUT THE EXPRESSED WRITTEN CONSENT OF SAMTEC, INC.</p> <p>DO NOT SCALE DRAWING</p> <p>SHEET SCALE: 1:1</p>		
	<p>520 PARK EAST BLVD, NEW ALBANY, IN 47150 PHONE: 812-944-6733 FAX: 812-948-5047 e-Mail: info@SAMTEC.com code 55322</p>	
	<p>DESCRIPTION: 2MM TERMINAL STRIP ASSEMBLY</p>	
	<p>DWG. NO. TMM-1XX-XX-XX-X-SM-XX-X</p>	
<p>BY: REIDINGER 05-22-1991</p>		<p>SHEET 3 OF 3</p>

X-ON Electronics

Largest Supplier of Electrical and Electronic Components

Click to view similar products for [Headers & Wire Housings](#) category:

Click to view products by [Samtec](#) manufacturer:

Other Similar products are found below :

[95000-104TRLF](#) [10135584-644402LF](#) [DF62W-EP2022PCA](#) [95000-106TRLF](#) [DF62W-2022SCA](#) [DF62W-EP2022PC](#) [2203348](#) [DF62W-2022SC](#) [1084018](#) [1029039](#) [1084017](#) [802-10-012-10-002000](#) [1112640](#) [1112639](#) [000-34000](#) [0009482033](#) [0009507031](#) [57102-S06-03LF](#) [57202-S52-04LF](#) [PCN6-15S-2.5E](#) [0039019024](#) [58102-G61-06LF](#) [582553-1](#) [0009485154](#) [0009508121](#) [0022285053](#) [0050291907](#) [018731A](#) [LY20-4P-DT1-P1E-BR](#) [02.125.8002.8](#) [60101931](#) [60598-1 \(Cut Strip\)](#) [M1625-3R/100](#) [61062-3](#) [61082-181009](#) [636-1427](#) [638009-1](#) [641938-9](#) [641991-4](#) [644168-1](#) [647662-1](#) [65039-019ELF](#) [65817-002LF](#) [65817-015LF](#) [65863-015LF](#) [66207-023LF](#) [67016-026LF](#) [67046-001LF](#) [67095-007LF](#) [67230-005LF](#)