

**Specifications:**

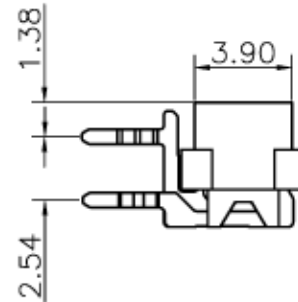
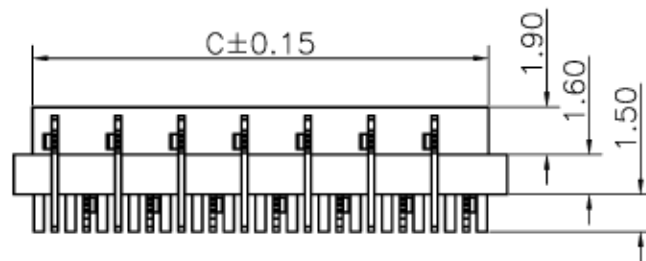
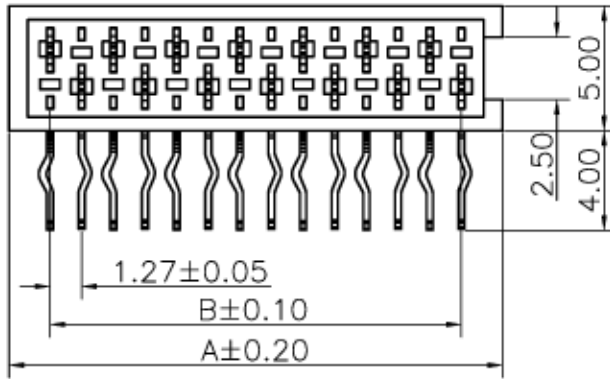
Current rating:1.0A AC,DC  
 Voltage rating:30V AC, DC  
 Contact resistance:20m ohm. Max.  
 Insulation resistance:1000M ohm. Min.  
 Withstanding voltage:AC 500V AC/minute  
 Operating temperature range:-40°C ~ +105°C  
 Materials:

Insulator:High Temp. Plastic (UL94V-0)  
 Contact material:Phosphor Bronze  
 Finish:Tin Plated

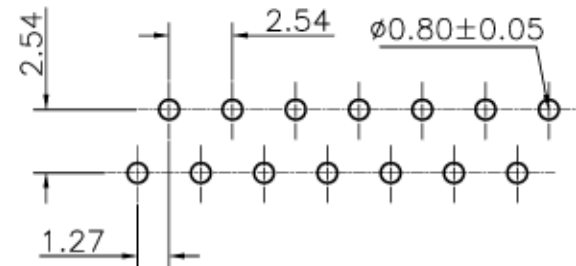
**How to Order**

**TMM-X-X-XX-X**

Type	_____	Packaging	_____
1-IDC Male		1 - Tape & Reel	
2-IDC Plug		2 - Tube	
3-DIP Male Straight		3 - Bag	
4-DIP Female Straight			
5-DIP Female R/A		Number of Positions	_____
6-SMT Female Straight		04, 06, 08, 10, 12,	
		14, 16, 18 or 20	
Locking System	_____		
0-without lock			
L-with lock			



Pos	A	B	C	Pos	A	B	C
4	7.00	3.81	5.60	16	22.24	19.05	20.84
6	9.54	6.35	8.14	18	24.78	21.59	23.38
8	12.08	8.89	10.68	20	27.32	24.13	25.92
10	14.62	11.43	13.22	22	29.86	26.67	28.46
12	17.16	13.97	15.76	24	32.40	29.21	31.00
14	19.70	16.51	18.30	26	34.94	31.75	33.54



PCB Layout



TOLERANCE (mm)	APPROVALS	DATE	TITLE	AMPHENOL Amphenol European Design Center	
X. ±0.3	DRAWN Stephane	2006/04/22	Micro Match R/A DIP type Female	Scale N.A.	Sheet 1 of 1
X.X ±0.1	CHECKED Rob K.	2006/04/23			
X.XX ±0.05	APPROVED Rob K.	2006/04/23			
UNLESS OTHERWISE SPECIFIED	UNIT:	MM	SIZE: A4	DRAWING N°: TMM-5-0-XX-X	REV: A

# X-ON Electronics

Largest Supplier of Electrical and Electronic Components

*Click to view similar products for [Headers & Wire Housings](#) category:*

*Click to view products by [Amphenol](#) manufacturer:*

Other Similar products are found below :

[95000-104TRLF](#) [10135584-644402LF](#) [DF62W-EP2022PCA](#) [95000-106TRLF](#) [DF62W-2022SCA](#) [48050-002LF](#) [DF62W-EP2022PC](#) [2203348](#)  
[DF62W-2022SC](#) [1084018](#) [1029039](#) [1084017](#) [802-10-012-10-002000](#) [1112640](#) [1112639](#) [891-007-9SS-BST1T](#) [000-34000](#) [0008550134](#) [0009482033](#)  
[0009507031](#) [0009524054](#) [57102-F02-18ULF](#) [57102-S06-03LF](#) [57202-S52-04LF](#) [PCN6-15S-2.5E](#) [0039019024](#) [58102-G61-06LF](#) [582553-1](#)  
[0009485154](#) [0009508121](#) [009176003701906](#) [0022285053](#) [0050291907](#) [018731A](#) [LY20-4P-DT1-P1E-BR](#) [02.125.8002.8](#) [60101931](#) [60598-1 \(Cut](#)  
[Strip\)](#) [M1625-3R/100](#) [61062-3](#) [61082-181009](#) [636-1427](#) [638009-1](#) [641938-9](#) [641991-4](#) [644168-1](#) [644827-2](#) [647662-1](#) [65039-019ELF](#) [65692-](#)  
[001LF](#)