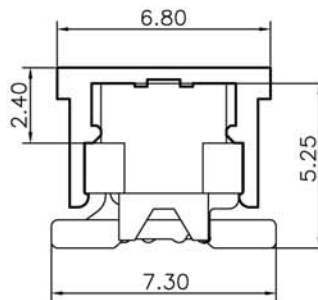
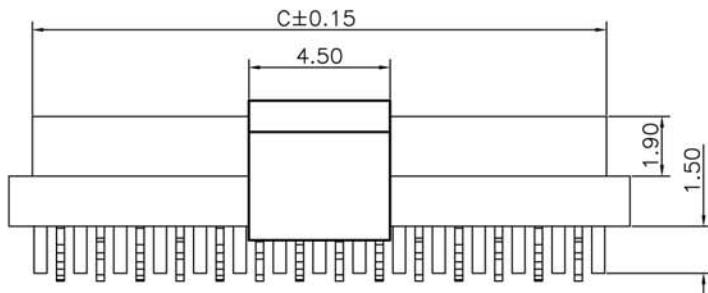
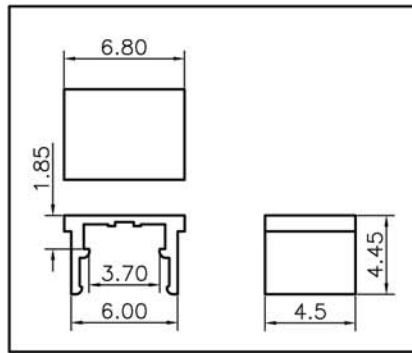
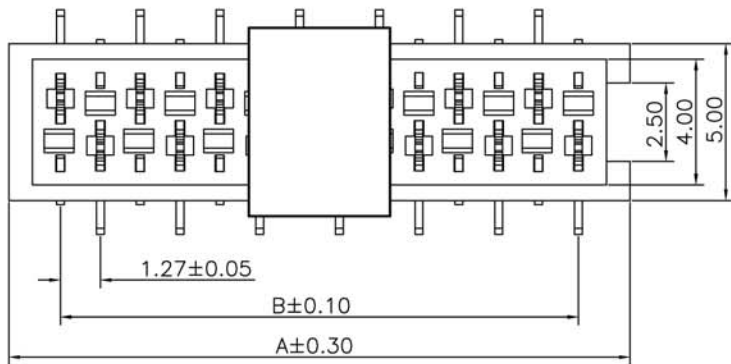
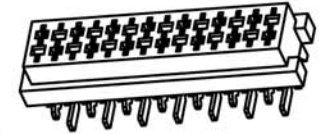


This document is the property of Amphenol Corporation and is delivered on the express condition that it is not to be disclosed, reproduced or used, in whole or in part, for the manufacture or sale by anyone other than Amphenol Corporation without its prior consent, and that no right is granted to disclose or to use any information in this document.



Pos	A	B	C	Pos	A	B	C
4	7.00	3.81	5.60	16	22.24	19.05	20.84
6	9.54	6.35	8.14	18	24.78	21.59	23.38
8	12.08	8.89	10.68	20	27.32	24.13	25.92
10	14.62	11.43	13.22	22	29.86	26.67	28.46
12	17.16	13.97	15.76	24	32.40	29.21	31.00
14	19.70	16.51	18.30	26	34.94	31.75	33.54



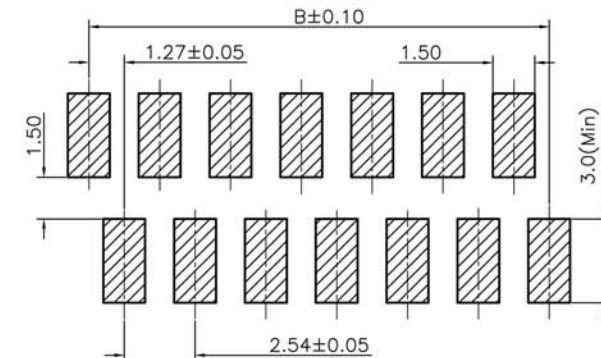
### Specifications:

Current Rating:1.5A AC/DC  
 Voltage Rating:230V AC/DC  
 Contact Resistance:20m Ohm. Max.  
 Insulation Resistance:1000M Ohm. Min.  
 Withstanding Voltage:AC 500V AC/Minute  
 Operating Temperature Range:-40°C ~ +105°C  
 Material And Finish  
 Insulator:High Temp. Plastic(Nylon 46 UL94V-0)  
 Insulator Color:Red  
 Contact Material:Phosphor Bronze  
 Finish:Tin Plated  
 Package:800PCS/Reel

### Ordering Information

TMM- X - X - XX - X

- |                       |   |
|-----------------------|---|
| Type                  | Packaging                               |
| 1-IDC male            | 1-Tape&reel w/o cap for TMM-(1-5)       |
| 2-IDC plug            | Tape&reel w/cap for TMM-6               |
| 3-DIP male straight   | 2-Tube packing                          |
| 4-DIP female straight | 3-Tray packing                          |
| 5-DIP female R/A      | 4-Tape&reel w/o cap for TMM-6 (only)    |
| 6-SMT female straight | Number of positions                     |
| Locking system        | 04,06,08,10,12,14,16,18,20,22,24 or 26. |
| 0-without lock        |   |
| L-with lock           |   |



PCB Layout



TOLERANCE (mm)	APPROVALS	DATE	TITLE	AMPHENOL Amphenol European Design Center	
.X=±0.2 .XX=±0.15	DRAWN Stephane	2013/Jul/08	TMM Serie SMT Female straight	Scale N.A.	Sheet 1 of 1
	CHECKED Rob	2013/Jul/08			
	APPROVED Rob	2013/Jul/08			
UNLESS OTHERWISE SPECIFIED	UNIT : mm		SIZE : A4 DRAWING N°	TMM-6-0-XX-X	REV. G

# X-ON Electronics

Largest Supplier of Electrical and Electronic Components

*Click to view similar products for [Headers & Wire Housings](#) category:*

*Click to view products by [Amphenol](#) manufacturer:*

Other Similar products are found below :

[95000-104TRLF](#) [10135584-644402LF](#) [DF62W-EP2022PCA](#) [95000-106TRLF](#) [DF62W-2022SCA](#) [48050-002LF](#) [DF62W-EP2022PC](#) [2203348](#)  
[DF62W-2022SC](#) [1084018](#) [1029039](#) [1084017](#) [802-10-012-10-002000](#) [1112640](#) [1112639](#) [000-34000](#) [0008550134](#) [0009482033](#) [0009507031](#)  
[0009524054](#) [57102-F02-18ULF](#) [57102-S06-03LF](#) [57202-S52-04LF](#) [PCN6-15S-2.5E](#) [0039019024](#) [58102-G61-06LF](#) [582553-1](#) [0009485154](#)  
[0009508121](#) [0022285053](#) [0050291907](#) [018731A](#) [LY20-4P-DT1-P1E-BR](#) [02.125.8002.8](#) [60101931](#) [60598-1 \(Cut Strip\)](#) [M1625-3R/100](#) [61062-3](#)  
[61082-181009](#) [636-1427](#) [638009-1](#) [641938-9](#) [641991-4](#) [644168-1](#) [644827-2](#) [647662-1](#) [65039-019ELF](#) [65692-001LF](#) [65781-018](#) [65781-047](#)