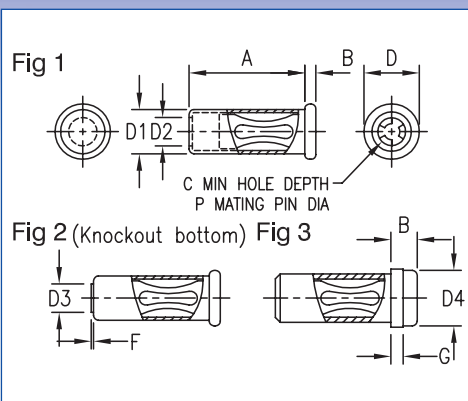


SINGLE POLE SOCKETS - SOLDER MOUNT

Dimensions in inches (mm)



How to order code

450 - XXXX - XX - XX - 00

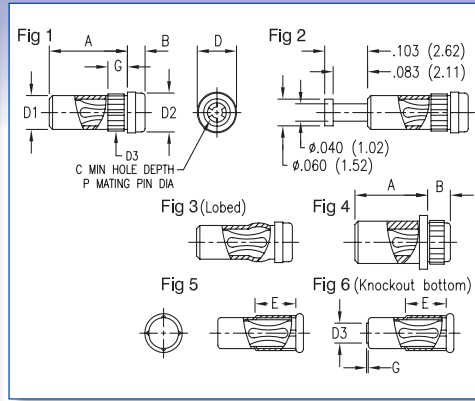
Basic Part No. | Finish

Material Code Table		
Component	Material	RoHS
Body	Brass	✓
	Copper*	✓
Spring	Beryllium Copper (Heat Treated)	✓

Finish Code Table			
Dash No.	Body Finish	Spring Finish	RoHS
-03	Gold over Nickel	Gold over Nickel	✓
-04	Electro-Tin	Electro-Tin	✓
-06	Electro-Tin	Gold over Nickel	✓

Fig.	Basic Part No.	P	A	B	C	D	D1	D2	D4	G	Mtg. Hole Diameter
1	450-2598 -01	.019 (0.48)	.208 (5.28)	.032 (0.81)	-	.063 (1.60)	.049 (1.24)	.026 (0.66)	-	-	.052 (1.32)
	450-3268 -01	.019 (0.48)	.208 (5.28)	.032 (0.81)	.215 (5.46)	.063 (1.60)	.049 (1.24)	-	-	-	.052 (1.32)
	450-3772 -01*	.019 (0.48)	.212 (5.38)	.015 (0.38)	.207 (5.26)	.060 (1.52)	.049 (1.24)	-	-	-	.052 (1.32)
	-02*	.019 (0.48)	.208 (5.28)	.015 (0.38)	-	.060 (1.52)	.049 (1.24)	.030 (0.76)	-	-	.052 (1.32)
	450-3703 -01*	.025 (0.64)	.142 (3.61)	.020 (0.51)	.141 (3.58)	.074 (1.88)	.053 (1.35)	-	-	-	.055 (1.40)
	450-3718 -01*	.031 (0.79)	.188 (4.78)	.018 (0.46)	.190 (4.83)	.090 (2.29)	.073 (1.85)	-	-	-	.076 (1.93)
	450-7004 -01	.031 (0.79)	.235 (5.97)	.030 (0.76)	.182 (4.62)	.091 (2.31)	.068 (1.73)	-	-	-	.073 (1.85)
	450-3704 -01*	.040 (1.02)	.188 (4.78)	.018 (0.46)	.190 (4.83)	.090 (2.29)	.073 (1.85)	-	-	-	.076 (1.93)
	450-3722 -01	.050 (1.27)	.195 (4.95)	.018 (0.46)	.200 (5.08)	.120 (3.05)	.098 (2.49)	-	-	-	.102 (2.59)
	450-1813 -01	.061 (1.55)	.195 (4.95)	.018 (0.46)	-	.120 (3.05)	.098 (2.49)	.071 (1.80)	-	-	.102 (2.59)
	450-3326 -01	.061 (1.55)	.195 (4.95)	.018 (0.46)	.200 (5.08)	.120 (3.05)	.098 (2.49)	-	-	-	.102 (2.59)
	450-1812 -01	.065 (1.65)	.195 (4.95)	.018 (0.46)	-	.120 (3.05)	.098 (2.49)	.071 (1.80)	-	-	.102 (2.59)
450-3708 -01	.080 (2.03)	.350 (8.89)	.020 (0.51)	.360 (9.14)	.143 (3.63)	.114 (2.90)	-	-	-	.116 (2.95)	
2	450-3716 -01*	.040 (1.02)	.190 (4.83)	.018 (0.46)	.190 (4.83)	.090 (2.29)	.073 (1.85)	.046 (1.17)	-	.013 (0.33)	.076 (1.93)
3	450-3230 -01	.025 (0.64)	.112 (2.84)	.080 (2.03)	.150 (3.81)	.080 (2.03)	.058 (1.47)	-	.073 (1.85)	.030 (0.76)	.062 (1.57)
	450-3293 -01	.025 (0.64)	.102 (2.59)	.080 (2.03)	-	.080 (2.03)	.058 (1.47)	.046 (1.17)	.073 (1.85)	.030 (0.76)	.062 (1.57)
	450-3286 -01	.040 (1.02)	.200 (5.08)	.036 (0.91)	-	.125 (3.18)	.085 (2.16)	.062 (1.57)	.092 (2.34)	.020 (0.51)	.089 (2.26)
	450-3366 -01	.040 (1.02)	.125 (3.18)	.192 (4.88)	.192 (4.88)	.125 (3.18)	.085 (2.16)	-	.091 (2.31)	.032 (0.81)	.089 (2.26)
	450-3388 -01	.040 (1.02)	.200 (5.08)	.036 (0.91)	.190 (4.83)	.125 (3.18)	.085 (2.16)	-	.092 (2.34)	.020 (0.51)	.089 (2.26)
	450-5301 -01	.040 (1.02)	.112 (2.85)	.108 (2.75)	.185 (4.70)	.102 (2.59)	.074 (1.88)	-	.092 (2.34)	.030 (0.76)	.076 (1.93)
	450-3256 -01	.080 (2.03)	.312 (7.92)	.100 (2.54)	-	.188 (4.78)	.142 (3.61)	.104 (2.64)	.143 (3.63)	.047 (1.19)	.144 (3.66)
	450-3398 -01	.080 (2.03)	.312 (7.92)	.100 (2.54)	.333 (8.46)	.188 (4.78)	.142 (3.61)	-	.143 (3.63)	.047 (1.19)	.144 (3.66)

SINGLE POLE SOCKETS - PRESS MOUNT



Dimensions in inches (mm)
See page 91 for recommended Anvil and Punch

How to order code

450 - XXXX - XX - XX - 00

Basic Part No.

Finish

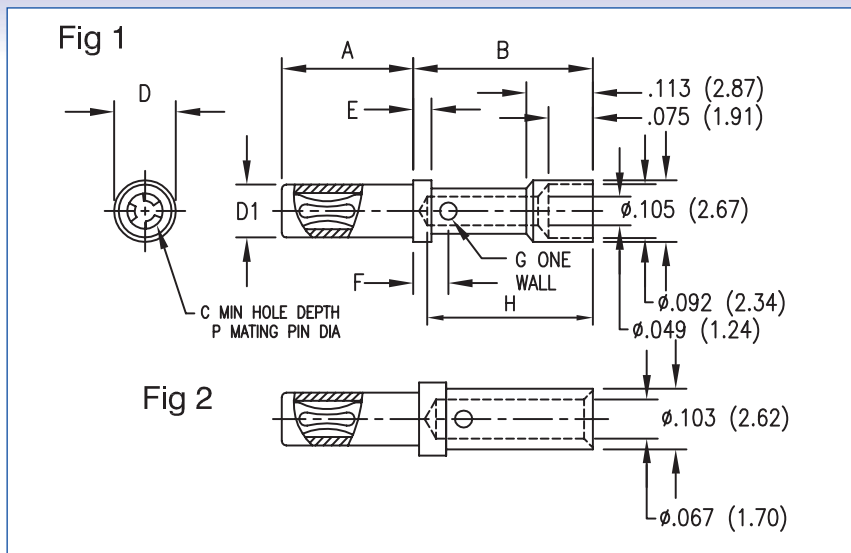
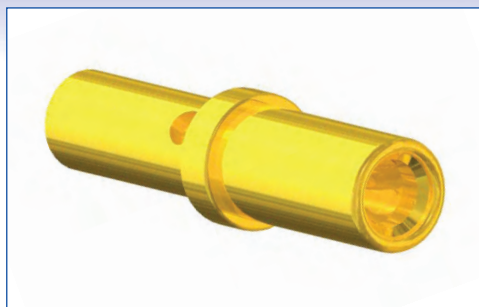
Material Code Table		
Component	Material	RoHS
Body	Brass	✓
	Copper*	✓
Spring	Beryllium Copper (Heat Treated)	✓

Finish Code Table			
Dash No.	Body Finish	Spring Finish	RoHS
-03	Gold over Nickel	Gold over Nickel	✓
-04	Electro-Tin	Electro-Tin	✓
-06	Electro-Tin	Gold over Nickel	✓

Fig.	Basic Part No.	P	A	B	C	D	D1	D2	D3	E	G	Board Thickness	Mtg. Hole Diameter
1	450-3720 -01	.031 (0.79)	.213 (5.41)	.037 (0.94)	.185 (4.70)	.110 (2.79)	.080 (2.03)	.092 (2.34)	.092 (2.34)	-	.070 (1.78)	.062 (1.57)	.089 (2.26)
	450-3954 -01	.040 (1.02)	.140 (3.56)	.080 (2.03)	.185 (4.70)	.102 (2.59)	.072 (1.83)	.092 (2.34)	.081 (2.06)	-	.052 (1.32)	-	.076 (1.93)
	450-3721 -01	.040 (1.02)	.213 (5.41)	.037 (0.94)	.185 (4.70)	.110 (2.79)	.080 (2.03)	.092 (2.34)	.092 (2.34)	-	.070 (1.78)	.062 (1.57)	.089 (2.26)
	450-5348 -01	.040 (1.02)	.090 (2.30)	.129 (3.29)	.185 (4.70)	.102 (2.59)	.072 (1.83)	.092 (2.34)	.081 (2.06)	-	.052 (1.32)	-	.076 (1.93)
2	450-3755 -01	.040 (1.02)	.200 (5.08)	.040 (1.02)	.185 (4.70)	.110 (2.79)	.082 (2.08)	.092 (2.34)	.092 (2.34)	-	.070 (1.78)	.062 (1.57)	.089 (2.26)
3	450-3752 -01	.040 (1.02)	.140 (3.56)	.080 (2.03)	.185 (4.70)	.102 (2.59)	.074 (1.88)	.092 (2.34)	-	-	-	-	.076 (1.93)
4	450-1801 -01	.040 (1.02)	.175 (4.45)	.055 (1.40)	.185 (4.70)	.125 (3.18)	.100 (2.54)	.092 (2.34)	.103 (2.62)	-	-	-	.099 (2.53)
5	450-1804 -01	.061 (1.55)	.195 (4.95)	.018 (0.46)	.200 (5.08)	.120 (3.05)	.098 (2.49)	-	-	.100 (2.54)	-	-	.102 (2.59)
	450-1806 -01	.080 (2.03)	.356 (9.04)	.015 (0.38)	.360 (9.14)	.143 (3.63)	.114 (2.90)	-	-	.150 (3.81)	-	-	.116 (2.95)
	450-3983 -01*	.025 (0.64)	.138 (3.51)	.020 (0.51)	.141 (3.58)	.074 (1.88)	.053 (1.35)	-	-	.080 (2.03)	-	-	.055 (1.40)
	450-3998 -01*	.031 (0.79)	.188 (4.78)	.018 (0.46)	.190 (4.83)	.090 (2.29)	.073 (1.85)	-	-	.100 (2.54)	-	-	.076 (1.93)
	450-3729 -01*	.040 (1.02)	.188 (4.78)	.018 (0.46)	.190 (4.83)	.090 (2.29)	.073 (1.85)	-	-	.100 (2.54)	-	-	.076 (1.93)
6	450-3723 -01*	.040 (1.02)	.188 (4.78)	.018 (0.46)	.190 (4.83)	.090 (2.29)	.073 (1.85)	-	.046 (1.17)	-	.005 (0.13)	-	.076 (1.93)

SINGLE POLE SOCKETS - PATCHCORD CRIMP

Dimensions in inches (mm)
See page 91 for recommended Crimping Pliers



How to order code
450 - XXXX - 01 - XX - XX

Basic Part No. | Insulator Colour | Socket Finish

Material Code Table		
Component	Material	RoHS
Body	Brass	✓
Spring	Beryllium Copper (Heat Treated)	✓
Insulation	Polyolefin Plastic	✓

Finish Code Table			
Dash No.	Body Finish	Spring Finish	RoHS
-03	Gold over Nickel	Gold over Nickel	✓
-04	Electro-Tin	Electro-Tin	✓
-06	Electro-Tin	Gold over Nickel	✓

Insulation Colour Code Table	
Dash No.	Colour
-00	None
-10	Black

Fig.	Basic Part No.	P	A	B	C	D	D1	E	F	G	H
1	450-3367 -01	.040 (1.02)	.224 (5.69)	.306 (7.77)	.185 (4.70)	.105 (2.67)	.091 (2.29)	.031 (0.79)	.060 (1.52)	.029 (0.74)	.282 (7.16)
	Also available with black polyolefin sleeve as 450-3378-01-XX-10										
	450-1807 -01	.080 (2.03)	.420 (10.67)	.306 (7.77)	.375 (9.53)	.170 (4.32)	.143 (3.63)	.031 (0.79)	.060 (1.52)	.029 (0.74)	.282 (7.16)
2	450-0016 -01	.061 (1.55)	.234 (5.94)	.296 (7.52)	.190 (4.83)	.141 (3.58)	.119 (3.02)	.046 (1.17)	.076 (1.93)	.039 (0.99)	.267 (6.78)
	Also available with black polyolefin sleeve as 450-3413-01-XX-10										

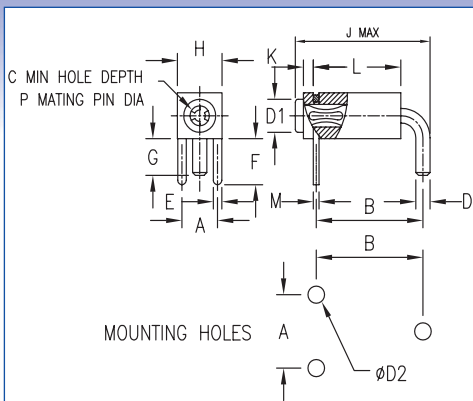
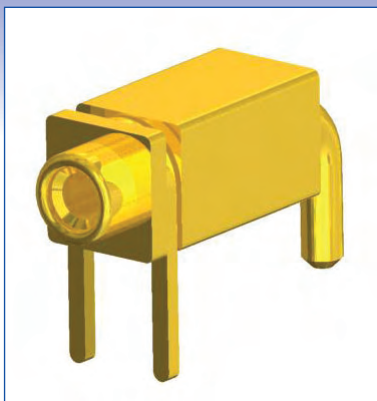
450-3367/450-3378/450-1807

Recommended hook-up wire size - #22AWG, 7 strands #30 AWG copper wire PTFE insulated
Sockets also accommodate #20 AWG, 7 strands #28 AWG copper wire
#24 AWG, 7 strands #32 AWG copper wire

450-0016/450-3413

Recommended hook-up wire size - #20 AWG, 7 strands #28 AWG copper wire PTFE insulated
Sockets also accommodate #18 AWG, 7 strands #26 AWG copper wire
#16 AWG, 19 strands #29 AWG copper wire

SINGLE POLE SOCKETS - PCB MOUNT SOLDER



Dimensions in inches (mm)

How to order code

450 - 3XXX - 01 - XX - 00

Basic Part No. | Finish

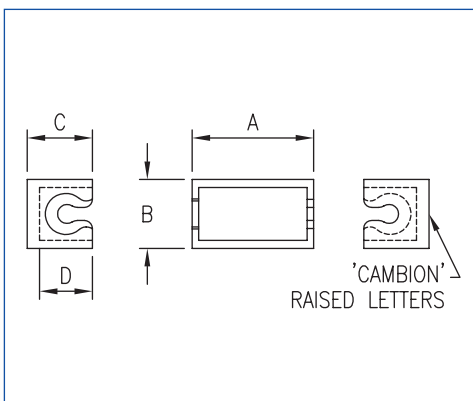
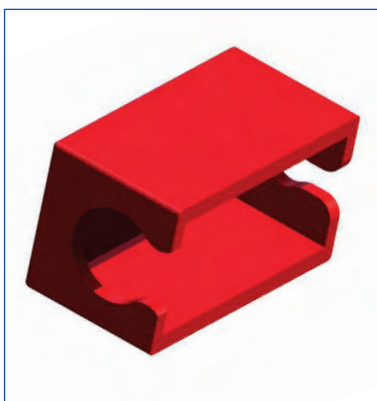
Material Code Table		
Component	Material	RoHS
Body	Brass	✓
Spring	Beryllium Copper (Heat Treated)	✓
Clip	Brass	✓

Finish Code Table				
Dash No.	Body Finish	Spring Finish	Clip	RoHS
-03	Gold over Nickel	Gold over Nickel	Gold over Nickel	✓
-04	Electro-Tin	Electro-Tin	Electro-Tin	✓
-06	Electro-Tin	Gold over Nickel	Electro-Tin	✓

Basic Part No.	P	A	B	C	D	D1	D2	E
450-3422 -01	.040 (1.02)	.100 (2.54)	.300 (7.62)	.211 (5.36)	.040 (1.02)	.092 (2.34)	.047 (1.19)	.024 (0.61)
450-3888 -01	.080 (2.03)	.200 (5.08)	.400 (10.16)	.325 (8.26)	.056 (1.42)	.142 (3.61)	.062 (1.57)	.046 (1.17)

Basic Part No.	F	G	H	J	K	L	M
450-3422 -01	.125 (3.18)	.100 (2.54)	.125 (3.18)	.416 (10.57)	.028 (0.71)	.229 (5.82)	.016 (0.41)
450-3888 -01	.218 (5.54)	.156 (3.96)	.188 (4.78)	.537 (13.64)	.038 (0.97)	.325 (8.26)	.020 (0.51)

SNAP ON COLOUR CODE INSULATOR



Dimensions in inches (mm)

How to order code

506 - 44XX - 01 - 00 - XX

Basic Part No. | Colour

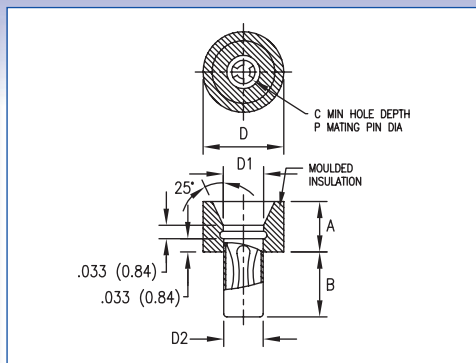
Material Code Table		
Component	Material	RoHS
Cover	Nylon	✓

Colour Code Table			
Dash No.	Colour	Dash No.	Colour
-10	Black	-15	Green
-11	Brown	-16	Blue
-12	Red	-17	Violet
-13	Orange	-18	Grey
-14	Yellow	-19	White

Basic Part No.	Used on Part	A	B	C	D
506-4422 -01	450-3422	.301 (7.65)	.172 (4.37)	.162 (4.11)	.131 (3.33)
506-4488 -01	450-3888	.415 (10.54)	.276 (7.01)	.268 (6.81)	.194 (4.93)

SINGLE POLE SOCKETS - SOLDER MOUNT - MOULDED GUIDED ENTRY

Dimensions in inches (mm)



How to order code

450 - 1826 - 01 - 03 - 20

Basic Part No. | Insulator Colour | Socket Finish

Material Code Table		Material
Jack:	Body	Brass
	Spring	Beryllium Copper (Heat Treated)
Insulator		Nylon

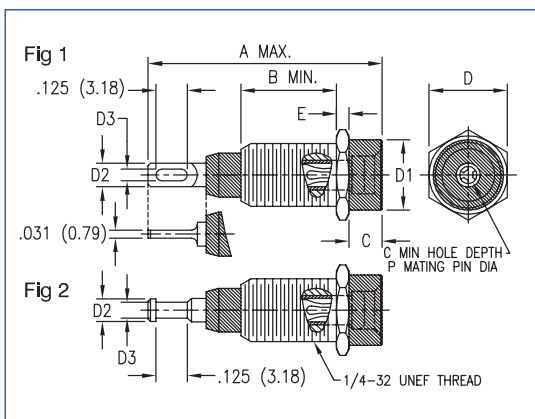
Finish Code Table			
Dash No.	Body Finish	Spring Finish	RoHS
-03	Gold over Nickel	Gold over Nickel	✓

Insulation Colour Code Table	
Dash No.	Colour
-20	Natural

Basic Part No.	P	A	B	D	D1	D2	C	Mtg. Hole Diameter
450-1826 -01	.061 (1.55)	.125 (3.18)	.162 (4.11)	.200 (5.08)	.093 (2.36)	.098 (2.49)	.250 (6.35)	.102 (2.59)

SINGLE POLE SOCKETS - INSULATED - THREAD MOUNT

Dimensions in inches (mm)



How to order code

450 - XXXX - 01 - 03 - XX

Basic Part No. | Insulator Colour | Terminal Finish

Material Code Table		
Component	Material	RoHS
Insulator (450-3358 & 450-3381)	Nylon	✓
Insulator (450-3359 & 450-3382)	PTFE	✓
Metal Sleeve	Brass	✓
Socket Body	Brass	✓
Socket Spring	Beryllium Copper (Heat Treated)	✓
Mounting Hex Nut	Brass	✓
Internal Tooth Lockwasher	Phosphor Bronze	✓

Finish Code Table							
Dash No.	Socket Body Finish	Socket Spring Finish	Metal Sleeve Finish	Mtg. Hex Nut Finish	Lockwasher Finish	RoHS	
-03	Gold over Nickel	Gold over Nickel	Nickel	Nickel	Nickel	✓	

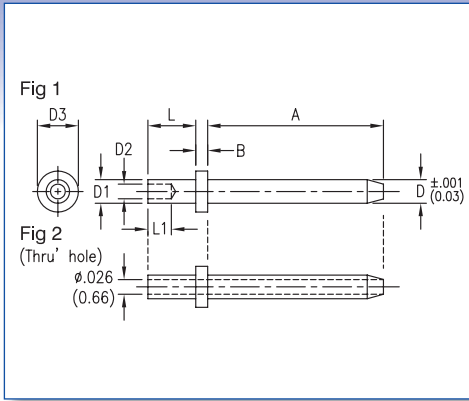
Insulation Colour Code Table	
Dash No.	Colour
-10	Black
-12	Red*
-16	Blue
-19	White

Fig.	Basic Part No.	A	B	C	D	D1	D2	D3	E	C	P	Dielectric Withstand Voltage (rms)	Insulator
1	450-3358 -01	1.000 (25.4)	.375 (9.53)	.131 (3.33)	.312 (7.92)	.281 (7.14)	.093 (2.36)	.047 (1.19)	.050 (1.27)	.540 (13.72)	.080 (2.03)	3000	Nylon
	450-3359 -01	1.000 (25.4)	.375 (9.53)	.131 (3.33)	.312 (7.92)	.281 (7.14)	.093 (2.36)	.047 (1.19)	.050 (1.27)	.540 (13.72)	.080 (2.03)	3000	PTFE
2	450-3381 -01	1.000 (25.4)	.375 (9.53)	.131 (3.33)	.312 (7.92)	.281 (7.14)	.090 (2.29)	.062 (1.57)	.050 (1.27)	.540 (13.72)	.080 (2.03)	3000	Nylon
	450-3382 -01	1.000 (25.4)	.375 (9.53)	.131 (3.33)	.312 (7.92)	.281 (7.14)	.090 (2.29)	.062 (1.57)	.050 (1.27)	.540 (13.72)	.080 (2.03)	3000	PTFE

Mounting Hardware supplied un-assembled. *Red PTFE is NOT RoHS compliant

CONNECTOR PINS - STRAIGHT

Dimensions in inches (mm)
See page 91/92 for recommended
Anvil and Punch



How to order code

460 - XXXX - XX - XX - 00

Basic Part No. | 'L' Length | Finish

Material Code Table		
Component	Material	RoHS
Pin	Brass	✓

Finish Code Table		
Dash No.	Pin Finish	RoHS
-03	Gold over Nickel	✓
-04	Electro-Tin	✓

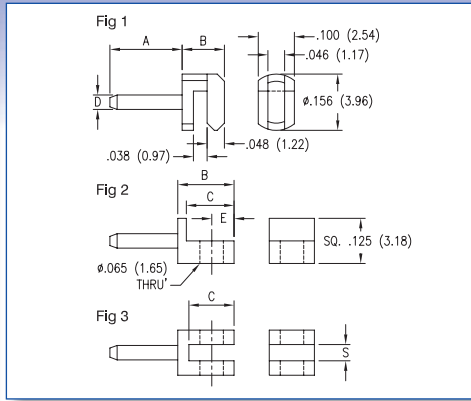
Fig.	Basic Part No.	'L' Length	Board Thickness	L1	A	B	D	D1	D2	D3	Mtg. Hole Diameter
1	460-2599 -01	.051(1.30)	.031(0.79)	.035(0.89)	.156(3.96)	.030(0.76)	.017(0.43)	.049(1.24)	.033(0.84)	.078(1.98)	.052(1.32)
	-02	.082(2.08)	.062(1.57)	.062(1.57)							
	-03	.113(2.87)	.094(2.39)								
	-04	.145(3.68)	.125(3.18)								
	460-5247 -01	.061(1.55)	.025(0.64)	-	.157(3.99)	.016(0.41)	.017(0.43)	.019(0.48)	-	.039(0.99)	.025(0.64)
	-02	.075(1.91)	.040(1.02)								
	460-2620 -01	.051(1.30)	.031(0.79)	.040(1.02)	.150(3.81)	.020(0.51)	.025(0.64)	.031(0.79)	.020(0.51)	.050(1.27)	.035(0.89)
	-02	.082(2.08)	.062(1.57)								
	460-2621 -01	.051(1.30)	.031(0.79)	.040(1.02)	.300(7.62)	.020(0.51)	.025(0.64)	.031(0.79)	.020(0.51)	.050(1.27)	.035(0.89)
	-02	.082(2.08)	.062(1.57)								
	460-2625 -01	.051(1.30)	.031(0.79)	.040(1.02)	.150(3.81)	.170(4.32)	.025(0.64)	.031(0.79)	.020(0.51)	.050(1.27)	.035(0.89)
	-02	.082(2.08)	.062(1.57)								
	460-2626 -01	.051(1.30)	.031(0.79)	.040(1.02)	.150(3.81)	.420(10.67)	.025(0.64)	.031(0.79)	.020(0.51)	.050(1.27)	.035(0.89)
	-02	.082(2.08)	.062(1.57)								
	460-3231 -01	.051(1.30)	.031(0.79)	.035(0.89)	.125(3.18)	.025(0.64)	.025(0.64)	.040(1.02)	.025(0.64)	.062(1.57)	.043(1.09)
	-02	.082(2.08)	.062(1.57)								
	-03	.113(2.87)	.094(2.39)								
	460-3393 -01	.062(1.57)	.031(0.79)	.040(1.02)	.125(3.18)	.030(0.76)	.025(0.64)	.058(1.47)	.040(1.02)	.078(1.98)	.062(1.57)
	-02	.094(2.39)	.062(1.57)								
	-03	.125(3.18)	.094(2.39)								
	-04	.156(3.96)	.125(3.18)								
	460-2983 -01	.051(1.30)	.031(0.79)	.040(1.02)	.300(7.62)	.020(0.51)	.031(0.79)	.040(1.02)	.025(0.64)	.070(1.78)	.043(1.09)
	-02	.082(2.08)	.062(1.57)								
	-03	.113(2.87)	.094(2.39)								
460-2984 -01	.051(1.30)	.031(0.79)	.040(1.02)	.150(3.81)	.020(0.51)	.031(0.79)	.040(1.02)	.025(0.64)	.070(1.78)	.043(1.09)	
-02	.082(2.08)	.062(1.57)									
-03	.113(2.87)	.094(2.39)									
460-2627 -01	.051(1.30)	.031(0.79)	.040(1.02)	.150(3.81)	.170(4.32)	.040(1.02)	.040(1.02)	.025(0.64)	.070(1.78)	.043(1.09)	
-02	.082(2.08)	.062(1.57)									
-03	.113(2.87)	.094(2.39)									
460-2628 -01	.051(1.30)	.031(0.79)	.040(1.02)	.150(3.81)	.420(10.67)	.040(1.02)	.040(1.02)	.025(0.64)	.070(1.78)	.043(1.09)	
-02	.082(2.08)	.062(1.57)									
-03	.113(2.87)	.094(2.39)									

CONNECTOR PINS - STRAIGHT

Fig.	Basic Part No.	'L' Length	Board Thickness	L1	A	B	D	D1	D2	D3	Mtg. Hole Diameter
1	460-2946 -01	.051(1.30)	.031(0.79)	.040(1.02)	.500(12.70)	.020(0.51)	.040(1.02)	.040(1.02)	.025(0.64)	.070(1.78)	.043(1.09)
	-02	.082(2.08)	.062(1.57)								
	-03	.113(2.87)	.094(2.39)								
	460-2947 -01	.051(1.30)	.031(0.79)	.040(1.02)	.750(19.05)	.020(0.51)	.040(1.02)	.040(1.02)	.025(0.64)	.070(1.78)	.043(1.09)
	-02	.082(2.08)	.062(1.57)								
	-03	.113(2.87)	.094(2.39)								
	460-2948 -01	.051(1.30)	.031(0.79)	.040(1.02)	1.000(25.40)	.020(0.51)	.040(1.02)	.040(1.02)	.025(0.64)	.070(1.78)	.043(1.09)
	-02	.082(2.08)	.062(1.57)								
	-03	.113(2.87)	.094(2.39)								
	460-2970 -01	.051(1.30)	.031(0.79)	.040(1.02)	.300(7.62)	.020(0.51)	.040(1.02)	.040(1.02)	.025(0.64)	.070(1.78)	.043(1.09)
	-02	.082(2.08)	.062(1.57)								
	-03	.113(2.87)	.094(2.39)								
	460-2971 -01	.051(1.30)	.031(0.79)	.040(1.02)	.150(3.81)	.020(0.51)	.040(1.02)	.040(1.02)	.025(0.64)	.070(1.78)	.043(1.09)
	-02	.082(2.08)	.062(1.57)								
	-03	.113(2.87)	.094(2.39)								
	460-2976 -01	.051(1.30)	.031(0.79)	.040(1.02)	.188(4.78)	.020(0.51)	.040(1.02)	.040(1.02)	.025(0.64)	.070(1.78)	.043(1.09)
	-02	.082(2.08)	.062(1.57)								
	-03	.113(2.87)	.094(2.39)								
460-3220 -01	.062(1.57)	.031(0.79)	.040(1.02)	.188(4.78)	.020(0.51)	.045(1.14)	.060(1.52)	.042(1.07)	.094(2.39)	.064(1.63)	
-02	.094(2.39)	.062(1.57)									
-03	.125(3.18)	.094(2.39)									
-04	.155(3.94)	.125(3.18)									
460-3342 -01	.053(1.35)	.031(0.79)	.050(1.27)	.188(4.78)	.025(0.64)	.062(1.57)	.062(1.57)	.043(1.09)	.094(2.39)	.067(1.70)	
-02	.084(2.13)	.062(1.57)									
-03	.115(2.92)	.094(2.39)									
460-1524 -01	.051(1.30)	.031(0.79)	.040(1.02)	.500(12.70)	.030(0.76)	.080(2.03)	.090(2.29)	.067(1.70)	.156(3.96)	.094(2.39)	
-02	.082(2.08)	.062(1.57)									
-03	.113(2.87)	.094(2.39)									
460-2629 -02	.094(2.39)	.062(1.57)	.062(1.57)	.375(9.53)	.025(0.64)	.080(2.03)	.090(2.29)	.064(1.63)	.125(3.18)	.094(2.39)	
-03	.125(3.18)	.094(2.39)									
-04	.156(3.96)	.125(3.18)									
2	460-2956 -01	.051(1.30)	.031(0.79)	-	.500(12.70)	.020(0.51)	.040(1.02)	.040(1.02)	-	.070(1.78)	.043(1.09)
	-02	.082(2.08)	.062(1.57)								
	-03	.113(2.87)	.094(2.39)								
	460-2957 -01	.051(1.30)	.031(0.79)	-	.750(19.05)	.020(0.51)	.040(1.02)	.040(1.02)	-	.070(1.78)	.043(1.09)
	-02	.082(2.08)	.062(1.57)								
	-03	.113(2.87)	.094(2.39)								
	460-2958 -01	.051(1.30)	.031(0.79)	-	1.000(25.40)	.020(0.51)	.040(1.02)	.040(1.02)	-	.070(1.78)	.043(1.09)
	-02	.082(2.08)	.062(1.57)								
	-03	.113(2.87)	.094(2.39)								
	460-3232 -01	.051(1.30)	.031(0.79)	-	.300(7.62)	.020(0.51)	.040(1.02)	.040(1.02)	-	.070(1.78)	.043(1.09)
	-02	.082(2.08)	.062(1.57)								
	-03	.113(2.87)	.094(2.39)								
460-3233 -01	.051(1.30)	.031(0.79)	-	.150(3.81)	.020(0.51)	.040(1.02)	.040(1.02)	-	.070(1.78)	.043(1.09)	
-02	.082(2.08)	.062(1.57)									
-03	.113(2.87)	.094(2.39)									
460-3241 -01	.051(1.30)	.031(0.79)	-	.100(2.54)	.020(0.51)	.040(1.02)	.040(1.02)	-	.070(1.78)	.043(1.09)	
-02	.082(2.08)	.062(1.57)									
-03	.113(2.87)	.094(2.39)									

CONNECTOR PINS - EDGE MOUNT

Dimensions in inches (mm)



How to order code

46X - XXXX - XX - XX - 00

Basic Part No. | Finish

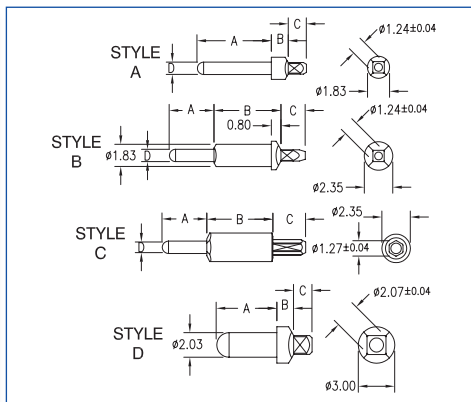
Material Code Table		
Component	Material	RoHS
Pin	Brass	✓

Finish Code Table		
Dash No.	Pin Finish	RoHS
-03	Gold over Nickel	✓
-04	Electro-Tin	✓

Fig.	Basic Part No.	A	Board Thickness	B	C	D	E	S
1	460-8250 -01	.200 (5.08)	-	.117 (2.97)	-	.040 (1.02)	-	-
2	461-2633 -01	.188 (4.77)	-	.156 (3.96)	.132 (3.35)	.040 (1.02)	.062 (1.57)	-
3	461-2634 -01	.200 (5.08)	.031 (0.78)	.156 (3.96)	.125 (3.18)	.040 (1.02)	.062 (1.57)	.045 (1.15)
	-02		.062 (1.57)					.078 (1.98)

CONNECTOR PINS - SOLDER MOUNT POLYGON

Dimensions in mm



How to order code

X - X - X - XXXX - XXXX - 3 - X

B - Brass | 'D' Dia | Style | 'A' Pin Length | 'B' Standoff Length | Finish | 'C' Mounting Length | T - Tellurium Copper

Material Code Table			
Component	Dash Letter	Material	RoHS
Pin	B	Brass	✓
	T	Tellurium Copper	✓

Finish Code Table		
Dash No.	Finish	RoHS
-03	Gold over Nickel	✓

Mounting Code Table	
Dash No.	C Mounting Length
1	0.90
2	1.50
3	2.00
4	2.70

Pin Dia Code Table	
Dash No.	D Pin Diameter
1	1.02
2	1.57
3	2.03

Example Part Number	Material	Pin dia D	Style	Pin Length A	Stand off Length B	Finish	Mounting Length C
B-1-B-0478-0432-3-4	Brass	1.02	B	4.78	4.32	Gold	2.70

CONNECTOR PINS - PATCHCORD CRIMP

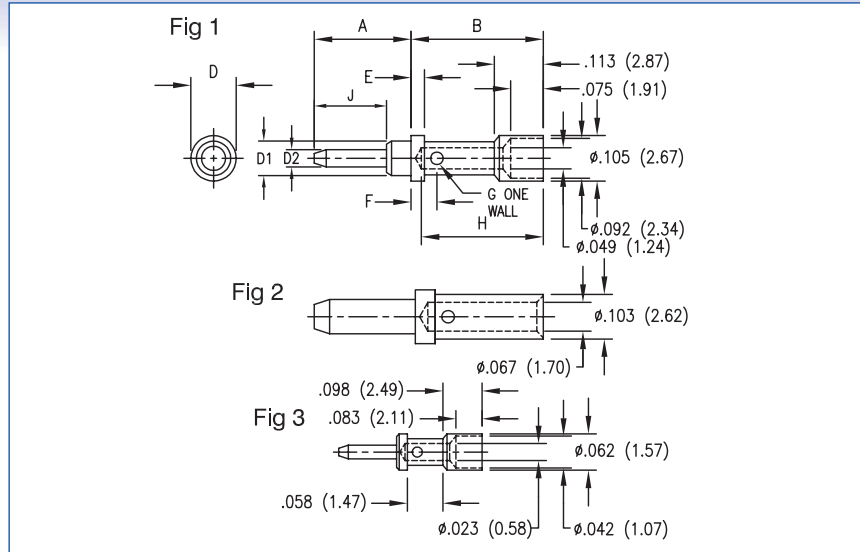
Dimensions in inches (mm)
See page 92 for recommended Crimping Pliers



How to order code

46X - 3XXX - XX - XX - XX

Basic Part No. | Insulator Colour | Socket Finish



Material Code Table			Finish Code Table			Insulation Colour Code Table	
Component	Material	RoHS	Dash No.	Pin Finish	RoHS	Dash No.	Colour
Pin	Brass	✓	-03	Gold over Nickel	✓	-00	None
Insulation	Polyolefin Plastic	✓	-04	Electro-Tin	✓	-10	Black

Fig.	Basic Part No.	A	B	D	D1	D2	E	F	G	H	J
1	460-3308 -01	.282 (7.16)	.306 (7.77)	.105 (2.67)	.077 (1.96)	.040 (1.02)	.031 (0.79)	.060 (1.50)	.029 (0.74)	.282 (7.16)	.188 (4.78)
	460-3368 -01	.282 (7.16)	.306 (7.77)	.105 (2.67)	.077 (1.96)	.062 (1.57)	.031 (0.79)	.060 (1.52)	.029 (0.74)	.282 (7.16)	.188 (4.78)
	460-3369 -01	.200 (5.08)	.306 (7.77)	.105 (2.67)	-	.080 (2.03)	.031 (0.79)	.060 (1.52)	.029 (0.74)	.282 (7.16)	-
	-02	.375 (9.53)									
-03	.500 (12.70)										
2	460-3299 -01	.200 (5.08)	2.96 (7.52)	.141 (3.58)	-	.080 (2.03)	.046 (1.17)	.076 (1.93)	.040 (1.02)	.267 (6.78)	-
	-02	.375 (9.53)									
	-03	.500 (12.70)									
3	460-3050 -01	.125 (3.18)	.188 (4.78)	.062 (1.57)	-	.025 (0.64)	.032 (0.81)	.048 (1.22)	.025 (0.64)	.166 (4.22)	-
Also available with black Polyolefin Sleeve as 461-3102-01-XX-10											

460-3050 / 461-3102

Recommended hook-up wire size -
.039 (0.99) Max. Diameter over Insulation

28AWG, 7 strands # 36 AWG copper wire plastic insulated

460-3308 / 460-3368 / 460-3369

Recommended hook-up wire size -
.053 (1.37) Max. Diameter over Insulation
Socket also accommodates

22AWG, 7 strands # 30 AWG copper wire PTFE insulated

20 AWG, 7 strands # 28 AWG copper wire insulated
24 AWG, 7 strands # 32 AWG copper wire insulated

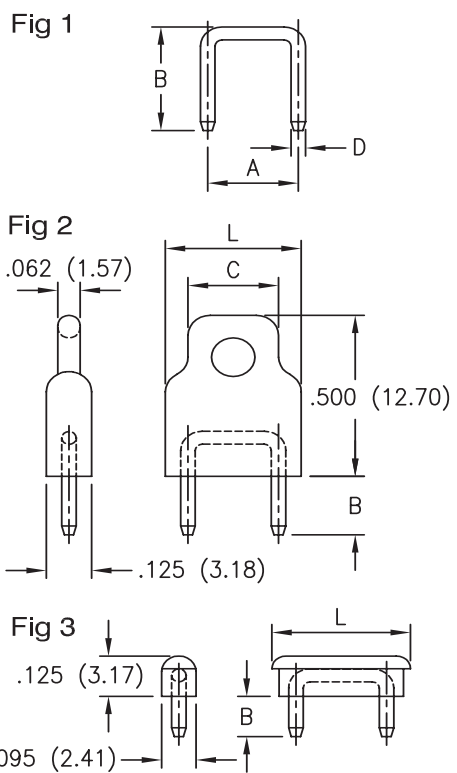
460-3299

Recommended hook-up wire size -
Socket also accommodates

20AWG, 7 strands # 28 AWG copper wire PTFE insulated
18 AWG, 7 strands # 26 AWG copper wire, insulated
16 AWG, 19 strands # 29 AWG copper wire, insulated

SHORTING LINKS - PLUG

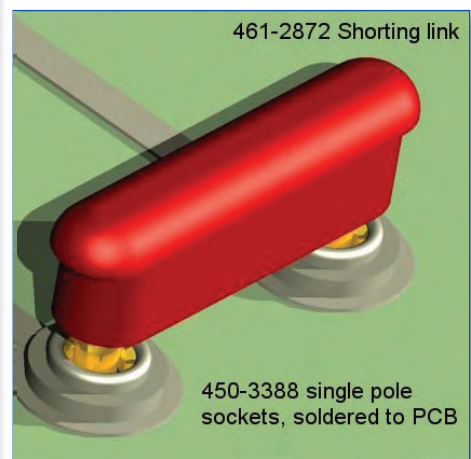
Dimensions in inches (mm)



How to order code

XXX - XXXX - XX - 03 - XX

Basic Part No. | Insulator Colour (where applicable) | Pin Finish



Typical application

Material Code Table		
Component	Material	RoHS
Pin	Brass	✓
Insulation	Polypropylene	✓

Finish Code Table		
Dash No.	Pin Finish	RoHS
-03	Gold over Nickel	✓

Insulation Colour Code Table	
Dash No.	Colour
-00	None
-10	Black
-12	Red
-16	Blue

Fig.	Basic Part No.	A	L	B	C	D
1	360-0004 -01	.200 (5.08)	-	.200 (5.08)	-	.025 (0.64)
	-02	.250 (6.35)				
	-03	.300 (7.62)				
	-04	.400 (10.16)				
	-05	.500 (12.70)				
	360-0017 -01	.200 (5.08)	-	.261 (6.63)	-	.040 (1.02)
	-02	.250 (6.35)				
	-03	.300 (7.62)				
	-04	.400 (10.16)				
	-05	.500 (12.70)				
2	461-2871 -01	.200 (5.08)	.375 (9.53)	.181 (4.60)	.250 (6.35)	.040 (1.02)
	-02	.250 (6.35)				
	461-3771 -01	.400 (10.16)	.620 (15.75)	.181 (4.60)	.432 (10.97)	.040 (1.02)
	-02	.500 (12.70)				
3	461-2251 -01	.200 (5.08)	.334 (8.48)	.125 (3.18)	-	.025 (0.64)
	-02	.250 (6.35)	.384 (9.75)			
	-03	.300 (7.62)	.434 (11.02)			
	-04	.400 (10.16)	.534 (13.56)			
	-05	.500 (12.70)	.634 (16.10)			
	461-2872 -01	.200 (5.08)	.334 (8.48)	.181 (4.60)	-	.040 (1.02)
	-02	.250 (6.35)	.384 (9.75)			
	-03	.300 (7.62)	.434 (11.02)			
	-04	.400 (10.16)	.534 (13.56)			
	-05	.500 (12.70)	.634 (16.10)			

X-ON Electronics

Largest Supplier of Electrical and Electronic Components

Click to view similar products for [Terminals](#) category:

Click to view products by [Cambion](#) manufacturer:

Other Similar products are found below :

[HT-13-10](#) [71M-250-32-NB](#) [01-2065-1-0216](#) [00581P0075](#) [M10-10RX](#) [M10BCK](#) [60205-1](#) [604200-1](#) [60598-1-CUT-TAPE](#) [60617-1-C](#) [60873-1](#) [M14-516R/SK](#) [M14-6RSX](#) [M18-10FLX](#) [M18-8FBX](#) [M18-8R/LX](#) [M18BCK](#) [61314-6-C](#) [61-S](#) [61-SN-A](#) [62-NBM-A](#) [63-S](#) [640179-1](#) [640917-2-CUT-TAPE](#) [6501550002](#) [66107-2-C](#) [66107-4-C](#) [696683-1](#) [696834-1](#) [696861-1](#) [696931-1](#) [696999-1](#) [M8-516RK](#) [M86700006](#) [MA250DMFMX-A](#) [701-2007](#) [701-2307](#) [701-7761-03](#) [70F-110-32-PB](#) [718-N-A](#) [71M-187-20-NBL](#) [71M-250-32-NBL](#) [72F-187-20-NBL](#) [72M-250-32-NBL](#) [7310](#) [73F-250-32](#) [73F-250-32-NBL](#) [73F-250-32-NL](#) [F14-10C](#) [F-1M](#)