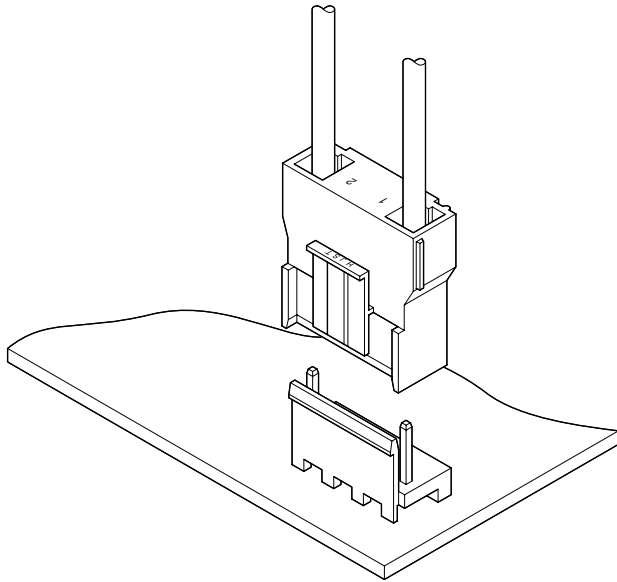




# VT CONNECTOR

**11.88mm pitch/Disconnectable Crimp style connectors**



**The VT connector is a 11.88mm pitch disconnectable crimp style connector with current rating of 12A. It has features such as the PC board locking device, misinsertion preventive construction and arm-lock mechanism. Its header is applicable to reinforced PC boards with eyelets.**

- Connectable to vinyl insulated flat cables
- Use of PC board locking device
- Correct and secure mating
- Applicable to reinforced PC boards with eyelets

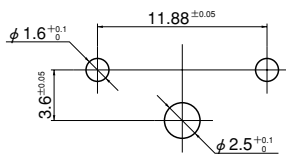
## Specifications

- Current rating: 12A AC, DC (AWG #16)
- Voltage rating: 250V AC, DC
- Temperature range: -25°C to +85°C  
(including temperature rise in applying electrical current)
- Contact resistance: Initial value/10m Ω max.  
After environmental testing/20m Ω max.
- Insulation resistance: 1,000M Ω min.
- Withstanding voltage: 1,500V AC/minute
- Applicable wire: AWG #20 to #16
- Applicable PC board thickness: 1.6mm
- \* Compliant with RoHS.
- \* Refer to "General Instruction and Notice when using Terminals and Connectors" at the end of this catalog.
- \* Contact JST for details.

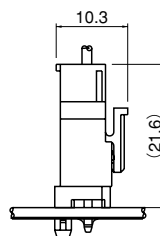
## Standards

- Ⓜ Recognized E60389
- Ⓢ Certified LR20812
- Ⓡ R50068570

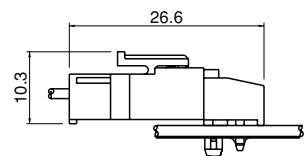
## PC board layout (viewed from component side) and Assembly layout



### Top entry type



### Side entry type

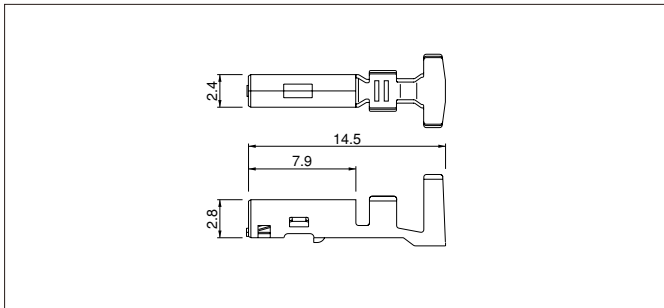


Note: 1. Tolerances are non-cumulative:  $\pm 0.05$ mm for all centers.

2. Hole dimensions differ according to the kind of PC board and piercing method. The dimensions above should serve as a guideline. Contact JST for details.

# VT CONNECTOR

## Contact

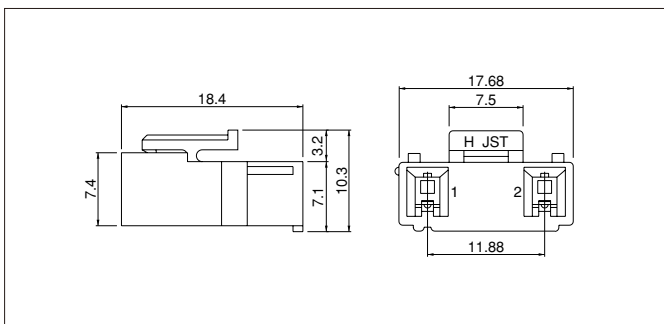


Model No.	Applicable wire		Q'ty / reel
	AWG #	Insulation O.D. (mm)	
SVT-41T-P1.1	20~16	2.7~3.9	2,500

Material and Finish
Alloy (phosphor bronze system), tin-plated (reflow treatment)

RoHS compliance				
Contact	Crimping machine	Applicator		
		Crimp applicator	Dies	Crimp applicator with dies
SVT-41T-P1.1	AP-K2N	MKS-L	MK/SVT-41-11	APLMK SVT41-11

## Housing



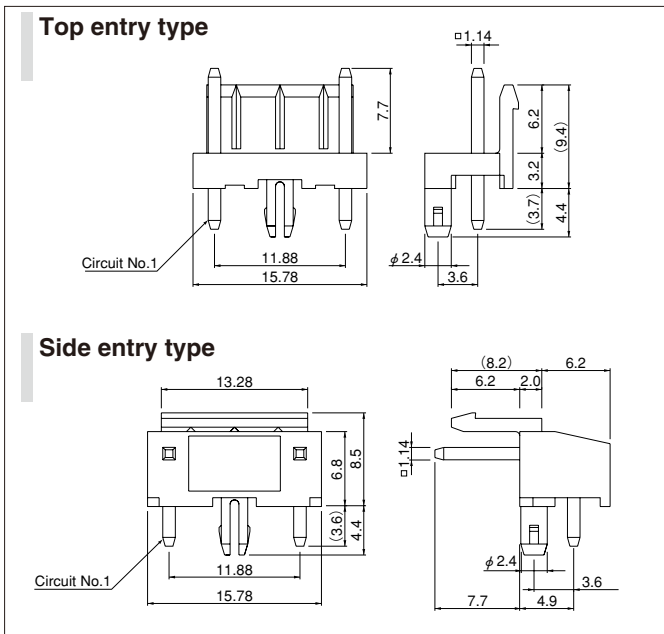
Circuits	Model No.	Q'ty / bag
2	VTR-02	500

Material
PA 66, UL94V-0, natural (white)

**RoHS compliance**  
 <For reference> As the color identification, the following alphabet shall be put in the underlined part.  
 For availability, delivery and minimum order quantity, contact JST.

ex. **VTR-02-oo**  
 (blank)...natural (white)  
 Z...ivory

## Locking header



Circuits	Model No.		Q'ty / box	
	Top entry type	Side entry type	Top entry type	Side entry type
2	B02B-VT	S02B-VT	500	250

Material and Finish
Post: Copper, tin-plated (reflow treatment) Wafer: Glass-filled PA 66, UL94V-0, natural (ivory)

**RoHS compliance** This product displays (LF)(SN) on a label.

## X-ON Electronics

Largest Supplier of Electrical and Electronic Components

*Click to view similar products for [Headers & Wire Housings](#) category:*

*Click to view products by [JST](#) manufacturer:*

Other Similar products are found below :

[95000-104TRLF](#) [10135584-644402LF](#) [DF62W-EP2022PCA](#) [95000-106TRLF](#) [DF62W-2022SCA](#) [DF62W-EP2022PC](#) [2203348](#) [DF62W-2022SC](#) [1084018](#) [1029039](#) [1084017](#) [802-10-012-10-002000](#) [1112640](#) [1112639](#) [891-007-9SS-BST1T](#) [000-34000](#) [0008550134](#) [0009482033](#) [0009507031](#) [57102-F02-18ULF](#) [57102-S06-03LF](#) [57202-S52-04LF](#) [PCN6-15S-2.5E](#) [0039019024](#) [58102-G61-06LF](#) [582553-1](#) [0009485154](#) [0009508121](#) [0022285053](#) [0050291907](#) [018731A](#) [LY20-4P-DT1-P1E-BR](#) [02.125.8002.8](#) [60101931](#) [60598-1 \(Cut Strip\)](#) [M1625-3R/100](#) [61062-3](#) [61082-181009](#) [CSU011177004](#) [636-1427](#) [638009-1](#) [641938-9](#) [641991-4](#) [644168-1](#) [644827-2](#) [647662-1](#) [65039-019ELF](#) [65692-001LF](#) [65781-018](#) [65781-047](#)