

4

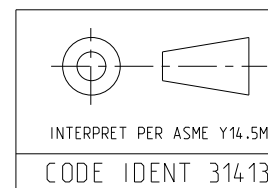
3

DRW NO. C-470-1075-500	SH 1	REV U
---------------------------	---------	----------

ZONE	REV	SCR NUMBER	DESCRIPTION	BY	DATE	APPROVED
	J	JPRX-788MQP.VER01	ADDED P/NS 470-1075-101 AND 470-1075-601	HCL AP	10/18/07	J.PROULX
	K	JPRX-7ESPW4.VER01	ADDED P/N 470-1205-101 AND 470-1205-601	HCL-AP	05/15/08	J.PROULX
	L	JPRX-7PNHRT.VER01	ADDED P/NS 470-3075-101 & 470-3075-601	HCL-RB	03/09/09	J.PROULX
	M	JPRX-7TBGML.VER01	ADDED P/N 470-2235-103 & 470-2235-603 CORRECTED DIM "R" ON SEVERAL PART NUMBERS	HCL-MH	07/02/09	J.PROULX
-	N	CSAS-82ATZZ.VER01	ADDED NEW PART NUMBERS IN TABLES FOR NEW PLATING CODES. REMOVED SHEET 3.	HCL-MH	02/11/2010	C.SAMMIS
	P	JPRX-86EPK6.VER01	ADDED P/N 470-2155-X02	HCL-BK	06/15/2010	C.SAMMIS
SHT2	R	JPRX-8JNHCZ.VER01	ADDED P/N 470-1205-X02 IN TABLE 1	HCL-LV	07/11/2011	J.PROULX
	T	JPRX-8MJGQJ.VER01	REVISED NOTE 4 AND FIXED COPLANARITY SPEC TYPO ON SHEET 3 AND DIAMETRAL SPEC TYPO ON SHEET 4	HCL-PS	10/21/2011	J.PROULX
SH1.A4	U	MCHH-9TUTMD.VER01	CHANGED NOTE 4 TO AVOID AMBIGUITY ABOUT TOOLING HOLES	M.CHARETH	02/18/2015	J.PROULX

NOTES:

1. ALL DIMENSIONS ARE IN MM.
2. MATERIAL: HOUSING/WAFERS/VACUUM CAP-LCP  
CONTACTS-HIGH PERFORMANCE COPPER ALLOY,  
PER MTS-506.
3. 0.71 DIA SOLDER SPHERES WILL NOT BE PERFECTLY  
SPHERICAL AFTER REFLOW ATTACHMENT.
4. TOOLING HOLES USED FOR INTERNAL PROCESS ALIGNMENT  
AND NOT REQUIRED FOR SMT PROCESS ALIGNMENT.  
QUANTITY OF TOOLING HOLES IS OPTIONAL, AT  
MANUFACTURERS DISCRETION.
5. SOLDERBALL PROTRUSION BELOW HOUSING.
6. SEE TECHNICAL BULLETIN TB-2082 FOR DETAILED LAYOUT  
AND SMT PROCESS RECOMMENDATIONS.
7. MAXIMUM CO-PLANARITY OF THE BALL FIELD.
8. MAXIMUM RADIAL TRUE POSITION OF ANY SOLDER BALL  
IN RELATION TO AN IDEAL BEST FIT GRID.
9. TOLERANCES DO NOT APPLY TO REFERENCE DIMENSIONS  
SHOWN IN "()" OR BASIC DIMENSIONS SHOWN IN "□".



TOLERANCES		DESIGN 7/07/99 D. MCNAMARA
0.0	±0.25	DRAWN 06/21/02 RJ MCISAAC
0.00	±0.13	CHK 06/21/02 J.MARVIN
0.000	± -	APVD 02/06/2004 J. MARVIN
ANGLES	± 3°	

UNLESS OTHERWISE SPECIFIED DIMENSIONS ARE IN MM. DECIMAL MARKER IS A PERIOD

CUSTOMER USE  
DRAWING

<b>Amphenol TCS</b> A Division of Amphenol Corporation 200 Innovative Way, Nashua, NH 03062 603.879.3000		TITLE RECEPTACLE MODULE ASSEMBLY NEXLEV CONNECTOR
		PART NO. SEE TABLE 1
REV N/A	REV U	
DRAWING NO. C-470-1075-500	Pro/E type: P1002-PT-HSG-CAP-ASM10X13X30 Pro/E DRAWING: C-470-1075-500	1.15 T.1
SIZE B	SCALE 2/1	SHEET 1 OF 8

DRW NO.  
C-470-1075-500

SH  
1  
REV  
U

4

3

2

1

4

3

DRW NO. C-470-1075-500	SH 2	REV U
---------------------------	---------	----------

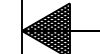
ZONE	REV	SCR NUMBER	DESCRIPTION	BY	DATE	APPROVED
			SEE SHEET 1			

PART NUMBER (SEE TABLE 2)	DESCRIPTION	WAFERS INSTALLED	H	N	P	R
470-1075-X00	10 POS. 7.5 HIGH, REC ASSY	ALL	7.5	9	15.75	21.81
470-1075-X01	10 POS. 7.5 HIGH, REC ASSY	1, 3, 5, 7, 9	7.5	9	15.75	21.81
470-1105-X00	10 POS. 10.5 HIGH, REC ASSY	ALL	10.5	9	15.75	21.81
470-1105-X02	10 POS. 10.5 HIGH, REC ASSY	1,3,5,7,9	10.5	9	15.75	21.81
470-1105-X03	10 POS. 10.5 HIGH, REC ASSY	1,3,5,7,9,10	10.5	9	15.75	21.81
470-1155-X00	10 POS. 15.5 HIGH, REC ASSY	ALL	15.5	9	15.75	21.81
470-1155-X01	10 POS. 15.5 HIGH, REC ASSY	1,3,5,7,9	15.5	9	15.75	21.81
470-1155-X02	10 POS. 15.5 HIGH, REC ASSY	1,3,5,7,9,10	15.5	9	15.75	21.81
470-1205-X00	10 POS. 20.5 HIGH, REC ASSY	ALL	20.5	9	15.75	21.81
470-1205-X01	10 POS. 20.5 HIGH, REC ASSY	1,2,3,4,6,7,8,9,10	20.5	9	15.75	21.81
470-1205-X02	10 POS. 20.5 HIGH, REC ASSY	1,3,5,7,9	20.5	9	15.75	21.81
470-1235-X00	10 POS. 23.5 HIGH, REC ASSY	ALL	23.5	9	15.75	21.81
470-1235-X01	10 POS. 23.5 HIGH, REC ASSY	1,2,3,4,5,6,8,10	23.5	9	15.75	21.81
470-1235-X02	10 POS. 23.5 HIGH, REC ASSY	1,3,5,7,9	23.5	9	15.75	21.81
470-2075-X00	20 POS. 7.5 HIGH, REC ASSY	ALL	7.5	19	33.25	39.31
470-2075-X01	20 POS. 7.5 HIGH, REC ASSY	1,3,5,7,9,11,13,15,17,19	7.5	19	33.25	39.31
470-2075-X02	20 POS. 7.5 HIGH, REC ASSY	1,3,5,7,9,11,13,14,15,16,17,18,19,20	7.5	19	33.25	39.31
470-2105-X00	20 POS. 10.5 HIGH, REC ASSY	ALL	10.5	19	33.25	39.31
470-2105-X01	20 POS. 10.5 HIGH, REC ASSY	1,3,5,7,9,11,13,15,17,19	10.5	19	33.25	39.31
470-2155-X00	20 POS. 15.5 HIGH, REC ASSY	ALL	15.5	19	33.25	39.31
470-2155-X01	20 POS. 15.5 HIGH, REC ASSY	1,3,5,7,9,11,13,14,15,16,17,18,19,20	15.5	19	33.25	39.31
470-2155-X02	20 POS. 15.5 HIGH, REC ASSY	1,2,3,4,5,6,7,8,9,10,11,12,13,14,16,18	15.5	19	33.25	39.31
470-2205-X00	20 POS. 20.5 HIGH, REC ASSY	ALL	20.5	19	33.25	39.31
470-2235-X00	20 POS. 23.5 HIGH, REC ASSY	ALL	23.5	19	33.25	39.31
470-2235-X01	20 POS. 23.5 HIGH, REC ASSY	1,2,4,5,7,8,10,11,13,14,16,17,19,20	23.5	19	33.25	39.31
470-2235-X02	20 POS. 23.5 HIGH, REC ASSY	1 THRU 16,18,20	23.5	19	33.25	39.31
470-2235-X03	20 POS. 23.5 HIGH, REC ASSY	1 THRU 12,18,19,20	23.5	19	33.25	39.31
470-3075-X00	30 POS. 7.5 HIGH, REC ASSY	ALL	7.5	29	50.75	56.81
470-3075-X01	30 POS. 7.5 HIGH, REC ASSY	1,3,5,7,9,11,13,15,17,19,21,23,25,27,29	7.5	29	50.75	56.81
470-3105-X00	30 POS. 10.5 HIGH, REC ASSY	ALL	10.5	29	50.75	56.81
470-3155-X00	30 POS. 15.5 HIGH, REC ASSY	ALL	15.5	29	50.75	56.81
470-3205-X00	30 POS. 20.5 HIGH, REC ASSY	ALL	20.5	29	50.75	56.81
470-3235-X00	30 POS. 23.5 HIGH, REC ASSY	ALL	23.5	29	50.75	56.81
470-3235-X01	30 POS. 23.5 HIGH, REC ASSY	1,3,5,7,9,11,13,15,17,19,21,23,25,27,29	23.5	29	50.75	56.81
470-3235-X02	30 POS. 23.5 HIGH, REC ASSY	1 THRU 26,28,30	23.5	29	50.75	56.81
470-5105-X00	25 POS. 10.5 HIGH, REC ASSY	ALL	10.5	24	42.00	48.06
470-5155-X00	25 POS. 15.5 HIGH, REC ASSY	ALL	15.5	24	42.00	48.06
470-5155-X01	25 POS. 15.5 HIGH, REC ASSY	1 THRU 21, 23, 25	15.5	24	42.00	48.06

PART NUMBER	SOLDER BALL/WAFER DESCRIPTION
470-YYY5-10Y	TIN/LEAD SOLDER BALLS - EUTECTIC (RoHS 5 COMPLIANCE), WAFERS WITH Ni SULFAMATE UNDERPLATE
470-YYY5-20Y	TIN/LEAD SOLDER BALLS - EUTECTIC (RoHS 5 COMPLIANCE), WAFERS WITH NANO Ni UNDERPLATE
470-YYY5-60Y	LEAD FREE SOLDER BALLS (RoHS 6 COMPLIANCE), WAFERS WITH Ni SULFAMATE UNDERPLATE
470-YYY5-70Y	LEAD FREE SOLDER BALLS (RoHS 6 COMPLIANCE), WAFERS WITH NANO Ni UNDERPLATE

B

B



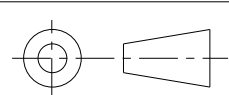
A

4

3

2

1

TOLERANCES		DESIGN 7/07/99 D. MCNAMARA	<b>Amphenol TCS</b> A Division of Amphenol Corporation 200 Innovative Way, Nashua, NH 03062 603.879.3000
0.0	±0.25	DRAWN 06/21/02 RJ MCISAAC	
0.00	±0.13	CHK 06/21/02 J. MARVIN	
0.000	± -	APVD 02/06/2004 J. MARVIN	
ANGLES	± 3°	TITLE RECEPTACLE MODULE ASSEMBLY NEXLEV CONNECTOR	
UNLESS OTHERWISE SPECIFIED DIMENSIONS ARE IN MM. DECIMAL MARKER IS A PERIOD			PART NO. SEE TABLE 1 REV N/A
 INTERPRET PER ASME Y14.5M CODE IDENT 31413			DRAWING NO. C-470-1075-500 REV U
			Pro/E type: P1002-PT-HSG-CAP-ASM10X13X30 Pro/E DRAWING: C-470-1075-500 1.15 T.1
SIZE B	SCALE 2/1	SHEET 2 OF 8	

DRW NO.  
C-470-1075-500

SH  
2

REV  
U

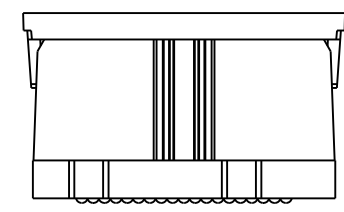
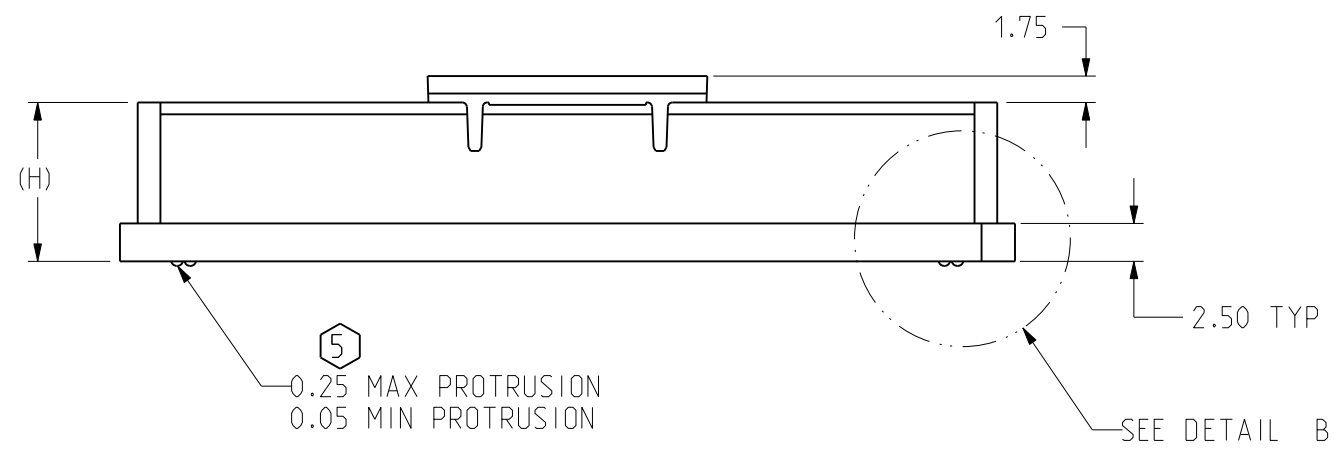
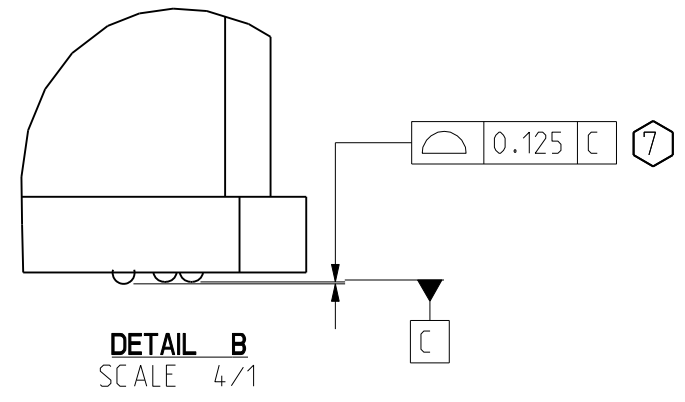
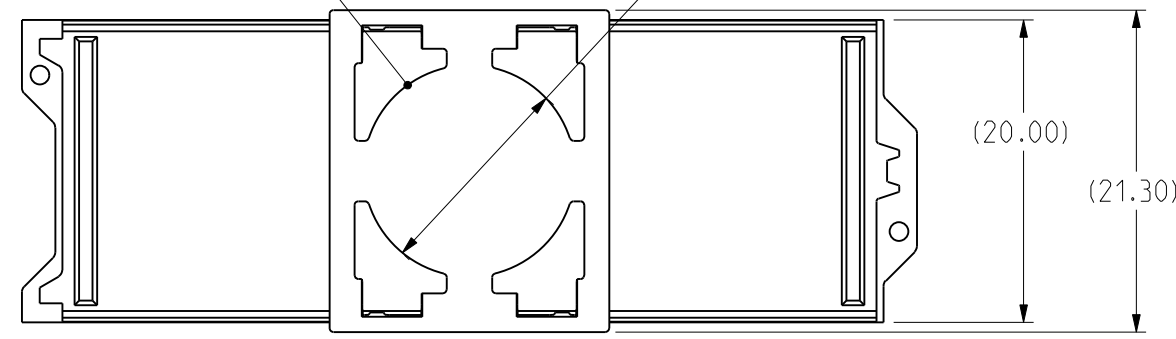
CUSTOMER USE  
DRAWING

DRW NO. C-470-1075-500 SH 3 REV U

ZONE	REV	SCR NUMBER	DESCRIPTION	BY	DATE	APPROVED
			SEE SHEET 1			

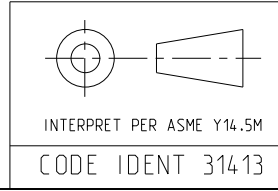
PART NO. 470-0001-074  
(HOUSING VACUUM CAP-  
REMOVE AFTER ASSY TO PCB)

Ø(14.00) PICK-UP AREA



TOLERANCES		DESIGN 7/07/99 D. MCNAMARA
0.0	±0.25	DRAWN 06/21/02 RJ MCISAAC
0.00	±0.13	CHK 06/21/02 J. MARVIN
0.000	± -	APVD 02/06/2004 J. MARVIN
ANGLES	± 3°	

<b>Amphenol TCS</b> A Division of Amphenol Corporation 200 Innovative Way, Nashua, NH 03062 603.879.3000		SH 3
		REV U
TITLE RECEPTACLE MODULE ASSEMBLY NEXLEV CONNECTOR		REV N/A
PART NO. SEE TABLE 1		
DRAWING NO. C-470-1075-500		REV U
Pro/E type: P1002-PT-HSG-CAP-ASM10X13X30 Pro/E DRAWING: C-470-1075-500		1.15 T.1
SIZE B	SCALE 2/1	SHEET 3 OF 8



UNLESS OTHERWISE SPECIFIED DIMENSIONS ARE IN MM. DECIMAL MARKER IS A PERIOD

**CUSTOMER USE DRAWING**

DRW NO. C-470-1075-500

SH 3  
REV U

4

3

4

3

2

1

4

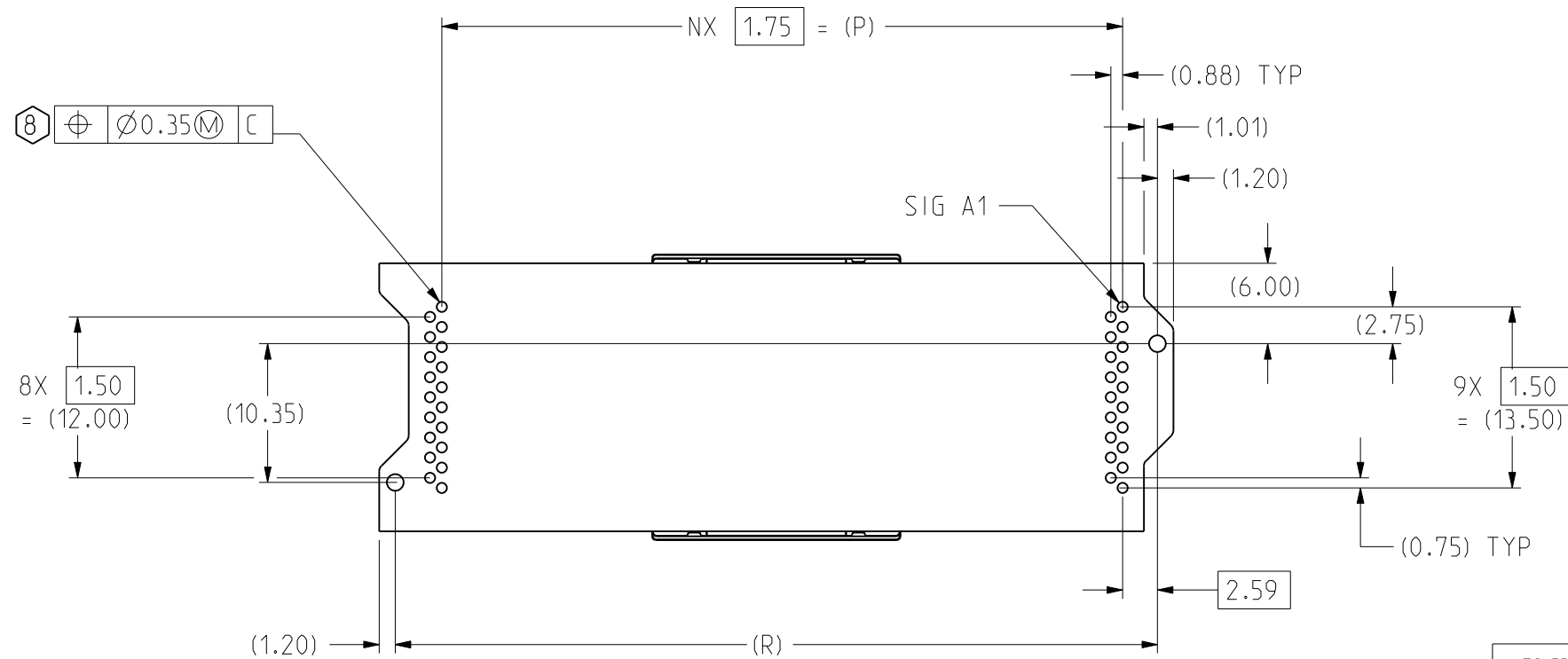
3

DRW NO. C-470-1075-500	SH 4	REV U
---------------------------	---------	----------

ZONE	REV	SCR NUMBER	DESCRIPTION	BY	DATE	APPROVED
			SEE SHEET 1			

B

B



BOTTOM VIEW OF CONNECTOR

A

TOLERANCES		DESIGN 7/07/99 D. MCNAMARA
0.0	±0.25	DRAWN 06/21/02 RJ MCISAAC
0.00	±0.13	CHK 06/21/02 J. MARVIN
0.000	± -	APVD 02/06/2004 J. MARVIN
ANGLES	± 3°	

<b>Amphenol TCS</b> A Division of Amphenol Corporation 200 Innovative Way, Nashua, NH 03062 603.879.3000		TITLE	RECEPTACLE MODULE ASSEMBLY NEXLEV CONNECTOR
		PART NO.	SEE TABLE 1
DRAWING NO.	C-470-1075-500	REV	N/A
Pro/E type: P1002-PT-HSG-CAP-ASM10X13X30 Pro/E DRAWING: C-470-1075-500		1.15	T.1
SIZE	B	SCALE	2/1
		SHEET 4 OF 8	

INTERPRET PER ASME Y14.5M  
 CODE IDENT 31413

UNLESS OTHERWISE SPECIFIED DIMENSIONS  
 ARE IN MM. DECIMAL MARKER IS A PERIOD  
**CUSTOMER USE  
 DRAWING**

4

3

2

1

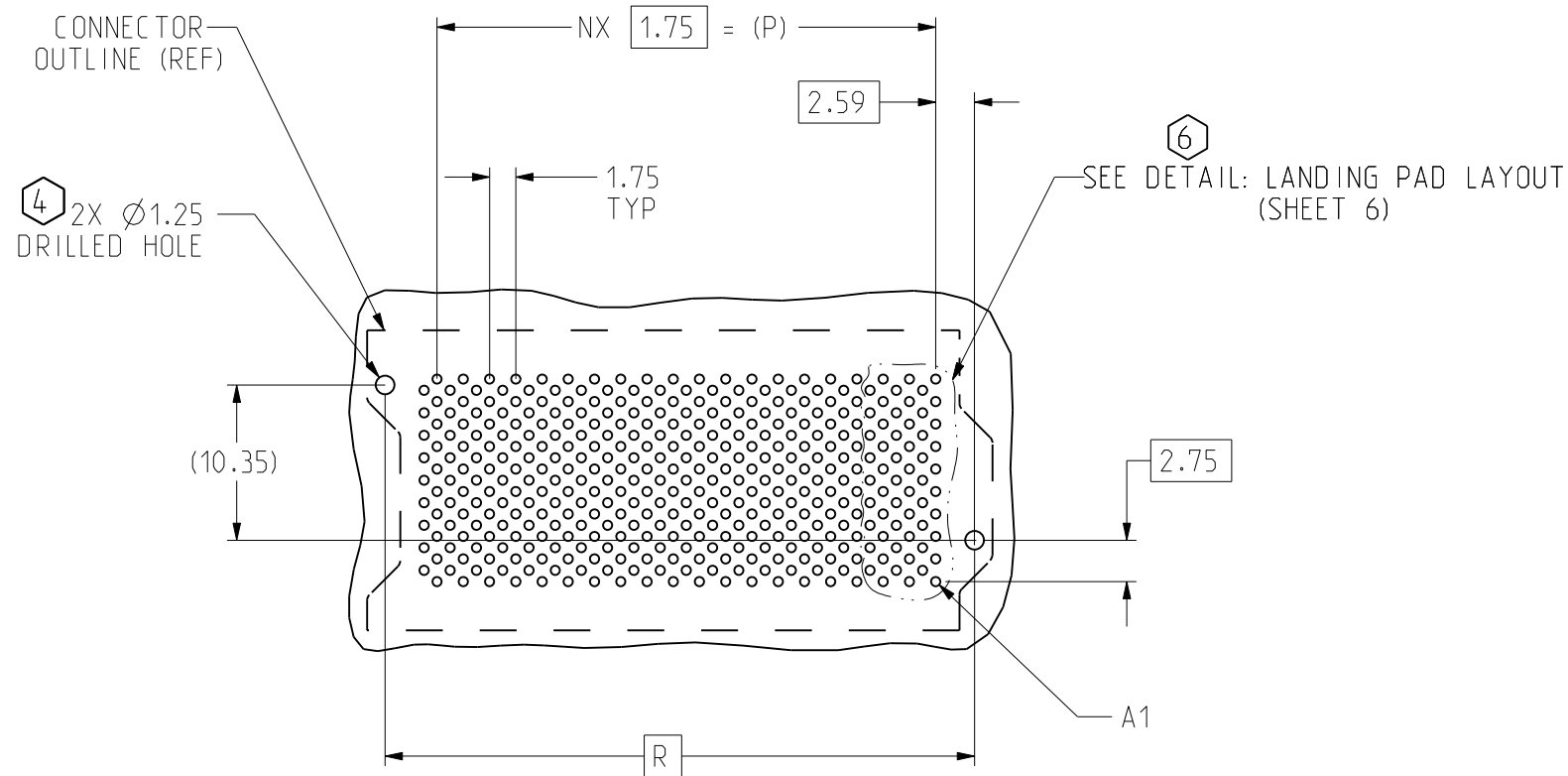
DRW NO.  
C-470-1075-500

SH  
4

REV  
U

DRW NO. C-470-1075-500	SH 5	REV U
---------------------------	---------	----------

ZONE	REV	SCR NUMBER	DESCRIPTION	BY	DATE	APPROVED
			SEE SHEET 1			



PCB LANDING PAD LAYOUT  
CONNECTOR SIDE

TOLERANCES		DESIGN 7/07/99 D. MCNAMARA
0.0	±0.25	DRAWN 06/21/02 RJ MCISAAC
0.00	±0.13	CHK 06/21/02 J. MARVIN
0.000	± -	APVD 02/06/2004 J. MARVIN
ANGLES	± 3°	

<b>Amphenol TCS</b> A Division of Amphenol Corporation 200 Innovative Way, Nashua, NH 03062 603.879.3000		TITLE	RECEPTACLE MODULE ASSEMBLY NEXLEV CONNECTOR
		PART NO.	SEE TABLE 1
REV	N/A	DRAWING NO.	C-470-1075-500
Pro/E type:	P1002-PT-HSG-CAP-ASM10X13X30	1.15	
Pro/E DRAWING:	C-470-1075-500	T.1	
SIZE	B	SCALE	2/1
		SHEET 5 OF 8	

INTERPRET PER ASME Y14.5M  
 CODE IDENT 31413

UNLESS OTHERWISE SPECIFIED DIMENSIONS ARE IN MM. DECIMAL MARKER IS A PERIOD

**CUSTOMER USE  
DRAWING**

DRW NO.  
C-470-1075-500

SH  
5  
REV  
U

4

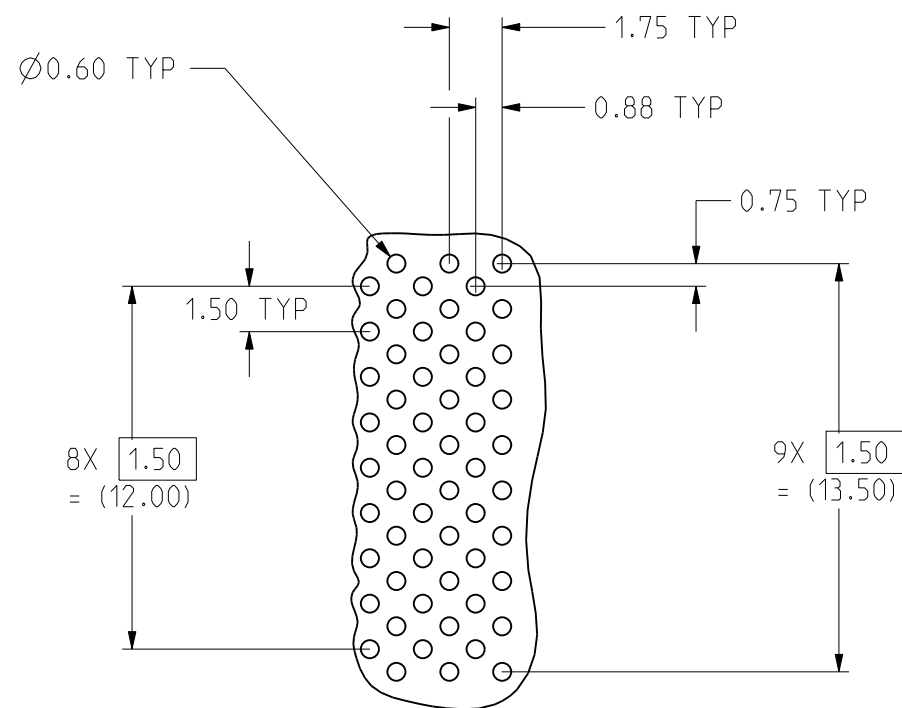
3

DRW NO. C-470-1075-500	SH 6	REV U
---------------------------	---------	----------

ZONE	REV	SCR NUMBER	DESCRIPTION	BY	DATE	APPROVED
			SEE SHEET 1			

B

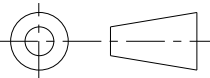
B



DETAIL: LANDING PAD LAYOUT  
 SEE TECHNICAL BULLETIN TB-2082  
 FOR LANDING PAD SHAPE, MASKING, ROUTING  
 AND OTHER DETAILS  
 SCALE 4/1

A

DRW NO. C-470-1075-500	SH 6	REV U
---------------------------	---------	----------

TOLERANCES		DESIGN 7/07/99 D. MCNAMARA	<b>Amphenol TCS</b> A Division of Amphenol Corporation 200 Innovative Way, Nashua, NH 03062 603.879.3000	
0.0	$\pm 0.25$	DRAWN 06/21/02 RJ MCISAAC		
0.00	$\pm 0.13$	CHK 06/21/02 J. MARVIN	TITLE RECEPTACLE MODULE ASSEMBLY NEXLEV CONNECTOR	
0.000	$\pm -$	APVD 02/06/2004 J. MARVIN	PART NO. SEE TABLE 1	REV N/A
ANGLES	$\pm 3^\circ$	UNLESS OTHERWISE SPECIFIED DIMENSIONS ARE IN MM. DECIMAL MARKER IS A PERIOD		
 INTERPRET PER ASME Y14.5M CODE IDENT 31413		DRAWING NO. C-470-1075-500		REV U
		Pro/E type: P1002-PT-HSG-CAP-ASM10X13X30 Pro/E DRAWING: C-470-1075-500		1.15 T.1
SIZE B	SCALE 2/1	SHEET 6 OF 8		

CUSTOMER USE  
DRAWING

4

3

2

1



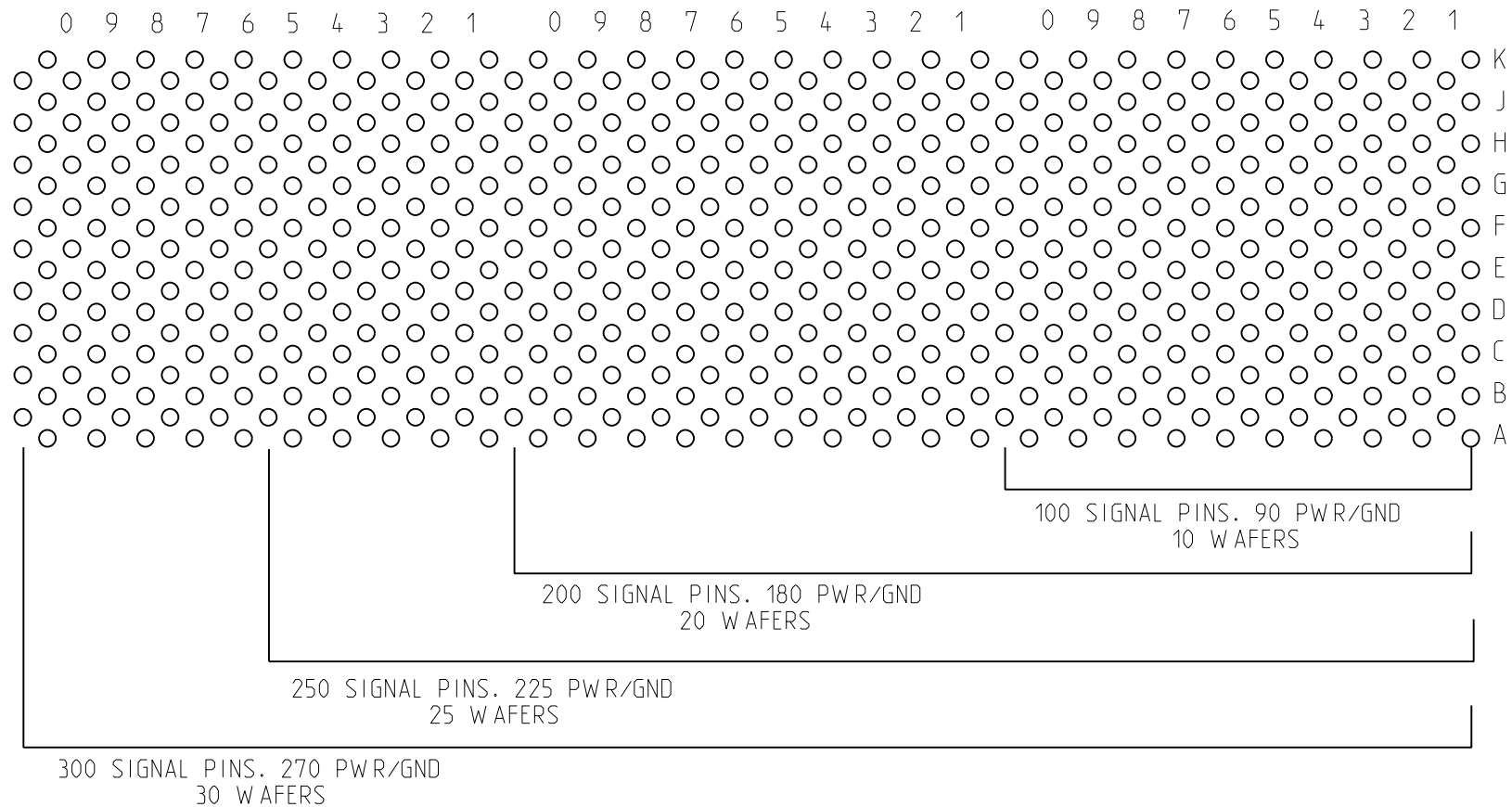


4

3

DRW NO. C-470-1075-500	SH 8	REV U
---------------------------	---------	----------

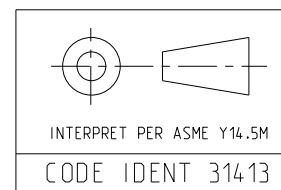
ZONE	REV	SCR NUMBER	DESCRIPTION	BY	DATE	APPROVED
			SEE SHEET 1			



ALTERNATE PIN NUMBERING  
(CONNECTOR SIDE OF PCB)  
SCALE 4/1

TOLERANCES		DESIGN 7/07/99 D. MCNAMARA
0.0	±0.25	DRAWN 06/21/02 RJ MCISAAC
0.00	±0.13	CHK 06/21/02 J. MARVIN
0.000	± -	APVD 02/06/2004 J. MARVIN
ANGLES	± 3°	

<b>Amphenol TCS</b> A Division of Amphenol Corporation 200 Innovative Way, Nashua, NH 03062 603.879.3000		TITLE RECEPTACLE MODULE ASSEMBLY NEXLEV CONNECTOR
		PART NO. SEE TABLE 1
REV N/A	DRAWING NO. C-470-1075-500	
REV U	Pro/E type: P1002-PT-HSG-CAP-ASM10X13X30 Pro/E DRAWING: C-470-1075-500	
1.15 T.1	SIZE B	SCALE 2/1
SHEET 8 OF 8		



UNLESS OTHERWISE SPECIFIED DIMENSIONS  
ARE IN MM. DECIMAL MARKER IS A PERIOD

**CUSTOMER USE  
DRAWING**

DRW NO.  
C-470-1075-500

SH  
8  
REV  
U

4

3

2

1