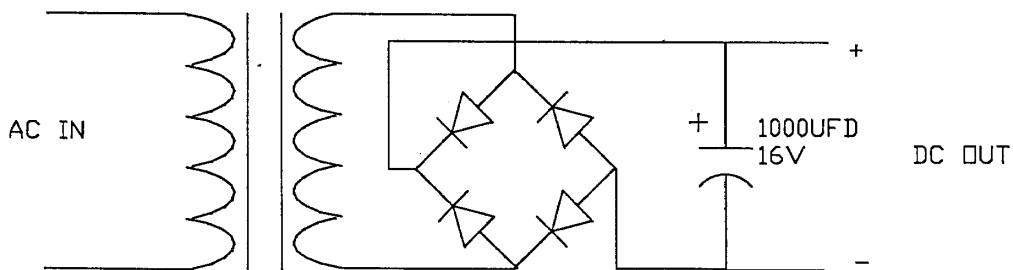
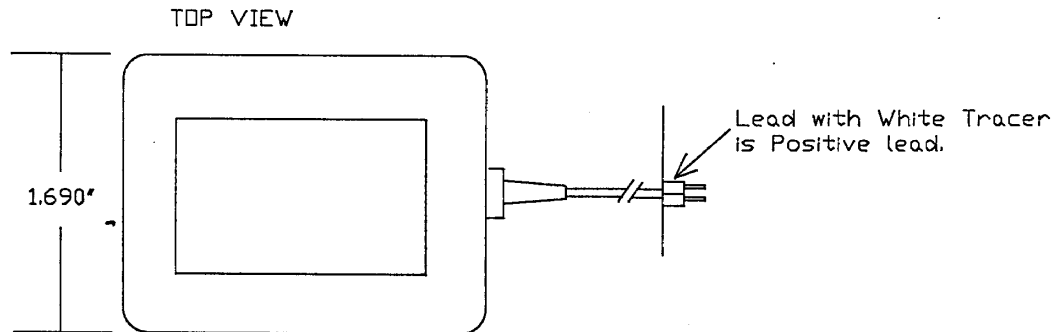
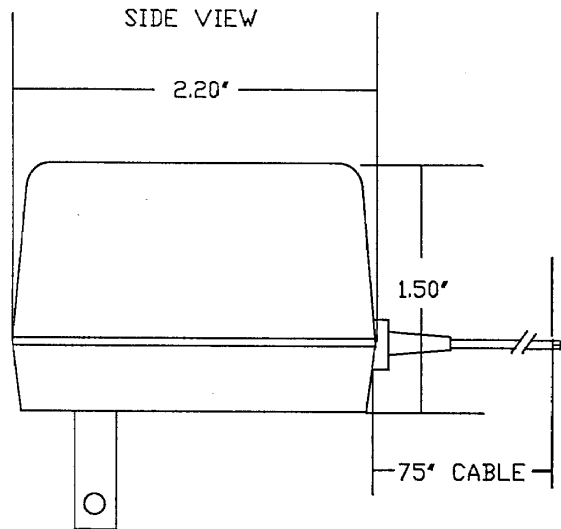


Model 485PS2

B&B ELECTRONICS MFG. CO.

OTTAWA, IL 61350



INPUT: 120VAC, 60HZ, 3W
 OUTPUT: 12VDC, 100MA.
 OPERATING TEMPERATURE: 0° - 40° C
 STORAGE TEMPERATURE: -20° - 70° C
 DIELECTRIC STRENGTH: 1500VAC FOR 1 MIN.
 WEIGHT=5.8 OZ.
 UL and CSA APPROVED.

REF: AD-1210

B & B ELECTRONICS	
ORIG. MAR. 15, 1994	RLH & CAF
485 CONVERTER POWER SUPPLY	
FILE=485PS2	
MODEL 485PS2	
SHT 1 OF 1	

© B&B Electronics

Phone: (815) 433-5100
 Office Fax: (815) 433-5105
 Tech Fax: (815) 433-5104
 Sales Fax: (815) 433-5109

B & B electronics
 MANUFACTURING COMPANY
 707 Dayton Road - P.O. Box 1040 - Ottawa, IL 61350 USA

Home Page: www.bb-elec.com
 E-mail: orders@bb-elec.com
support@bb-elec.com
catrqtst@bb-elec.com

X-ON Electronics

Largest Supplier of Electrical and Electronic Components

Click to view similar products for [Wall Mount AC Adapters](#) category:

Click to view products by [B&B Electronics](#) manufacturer:

Other Similar products are found below :

[76000738](#) [76000756-B10](#) [ADP-163 E](#) [ADP-159 A](#) [PSAC05A-050L6](#) [RLMDT361800](#) [TE30A1803F01](#) [0650-00005](#) [P25A14E-R1C](#) [SWI24-12-N-P6R](#) [SWI24-24-N-ST](#) [TRH25033-A-02E01-Level-VI](#) [DA5-050US-B](#) [DA5-050UK-B](#) [RLMDT701800](#) [76000756](#) [DA5-050EU-B](#) [WSU120-2000-R13](#) [5V1A-USB](#) [AC-DC ADAPTER 160W](#) [WSU120-2000-13](#) [WSU150-0800-13](#) [76000980](#) [WSU075-3200-13](#) [WSU090-2500-13](#) [WSU050-2000-R13](#) [WSU240-1000-13](#) [WSU090-3500-R13](#) [WSU075-1500-13](#) [WSU050-3000-13](#) [WSU135-1330-13](#) [WSU045-1500-13](#) [WSU090-2500-R13](#) [WSU240-1500-13](#) [WSU180-0660-13](#) [WSU075-1500-R13](#) [WSU090-1300-13](#) [WSU180-1330-R13](#) [NTPS-24-TT-700](#) [BB-SMI1812VP230C1](#) [WSU150-1600-13](#) [WSU050-1500-13](#) [WSU090-0800-13](#) [WSU180-0450-13](#) [WSU150-0560-R13](#) [WSU135-0880-13](#) [WSU120-3000-13](#) [WSU120-1000-R13](#) [WSU090-1300-R13](#) [WSU060-4000-13](#)