

MICRO SWITCH

FREEPORT ILLINOIS, U.S.A
A DIVISION OF HONEYWELL
FED. MFG. CODE 91929

SWITCH - BASIC

CATALOG LISTING
4HM54

S

4HM54

M

DRAWING
NUMBER

ISSUE
X 8 9
X 6 9
X 8 9

REPLACES

RELEASE NO. PR-8166

CHECK

CHECK

CHECK

CHECK

CHECK

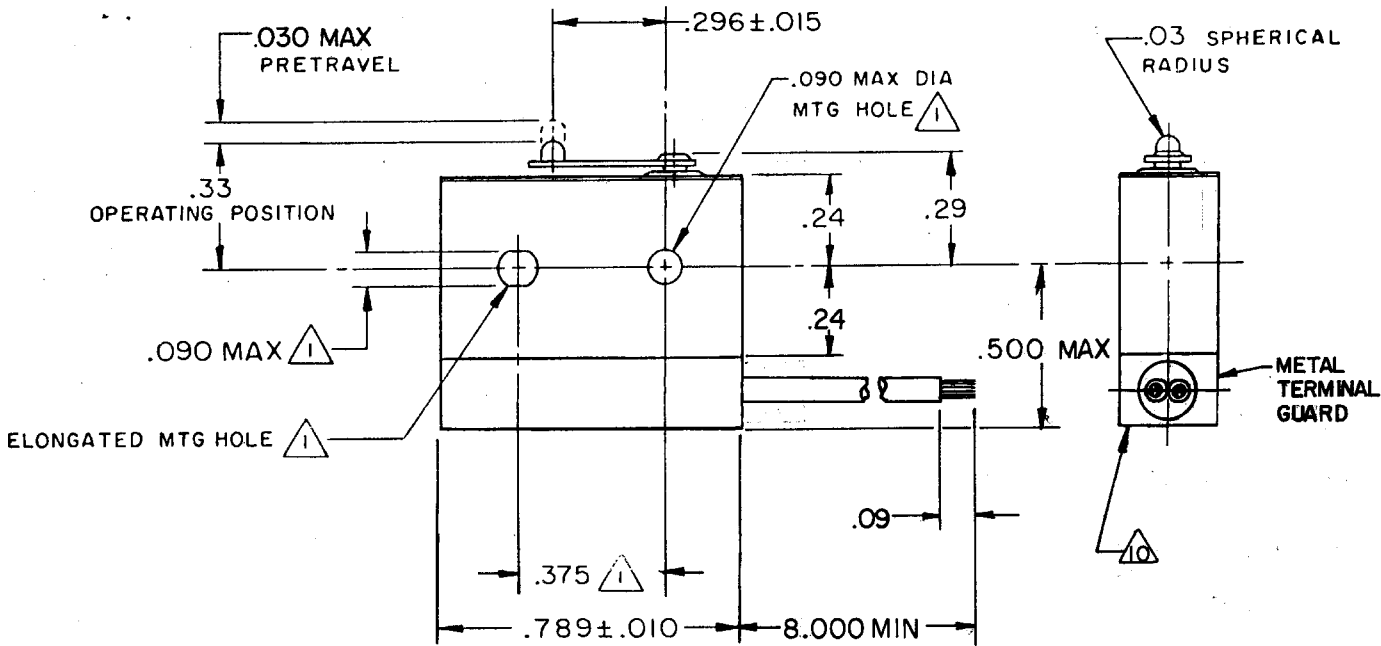
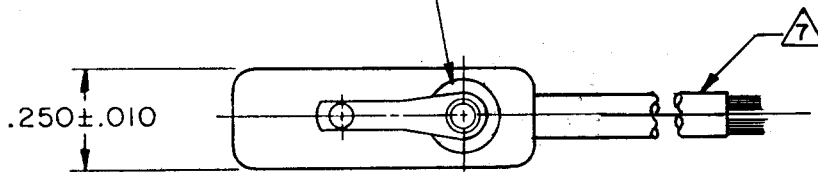
CHECK

CHECK

CHECK

CHECK

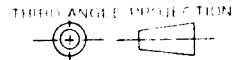
WOBBLEFRAM ACTUATOR SEAL



NOTE-

- 1 MOUNTING HOLES WILL ACCEPT PINS OR SCREWS OF .087 MAX DIA ON .375 ± .002 CENTERS
- 2 - FOR USE IN TEMPERATURE RANGE -300° TO +392° F
- 3 - HERMETICALLY SEALED (METAL-TO-METAL, GLASS-TO-METAL)
- 4 - ALL EXPOSED PARTS ARE OF CORROSION RESISTANT MATERIALS
- 5 - 24 K GOLD MOVABLE CONTACT
- 6 - DO NOT APPLY MORE THAN 1/2 INCH-LBS OF TORQUE WHEN TIGHTENING MOUNTING SCREWS
- 7 (2) NO. 24 WIRE LEAD PER MIL 22759/11 (COMMON: RED, NORMALLY - OPEN: GREEN)
- 8 GOLD ALLOY STATIONARY CONTACTS
- 9 WEIGHT OF SWITCH ONLY 0.22 OZ MAX. WEIGHT OF CONDUCTOR GROUP ONLY IS 0.14 OZ MAX PER FOOT
- 10 POTTING OF TERMINAL AREA RECOMMENDED
- 11 - CONFIGURATION CONTROL PER BENDIX CCR -0032

THIS DRAWING COVERS A PROPRIETARY ITEM AND IS THE PROPERTY OF MICRO SWITCH, A DIVISION OF HONEYWELL. THIS DRAWING IS NOT TO BE COPIED OR USED WITHOUT THE APPROVAL OF MICRO SWITCH.



CHARACTERISTICS

OPERATING FORCE ----- 7 OZ. MAX
RELEASE FORCE ----- 1 OZ. MIN
DIFFERENTIAL TRAVEL ----- .006 MAX
OVERTRAVEL ----- .003 MIN

ELECTRICAL DATA

CONTACT ARRANGEMENT
S P N O

28 VOLTS DC RATING

INDUCTIVE ----- SEA LEVEL ----- 1/4 AMP
70,000 FT ----- 1/4 AMP
RESISTIVE ----- SEA LEVEL ----- 1 AMP
70,000 FT ----- 1 AMP

SCALE **2 TO 1**

DO NOT SCALE PRINT

TOLERANCES

APPLY TO DESIGN UNITS. CONVERSIONS ARE ONLY FOR REFERENCE. UNLESS NOTED, TOLERANCES ARE:

DIM.	TOL.	DIM.	TOL.
mm	mm/in	in	mm/in
NO PLACES	X	1/04	
ONE PLACE	X,X	0.4/0.16	X X 0.8/0.3
TWO PLACES	X,XX	0.15/0.06	X XX 0.38/0.15
THREE PLACES	X,XXX		X XXX 0.13/0.05

DESIGN UNITS METRIC US CUSTOMARY

WEIGHT **9**

FO-52848-A

DRAWN

G J W 26 OCT 79

X-ON Electronics

Largest Supplier of Electrical and Electronic Components

Click to view similar products for [Basic / Snap Action Switches](#) category:

Click to view products by [Honeywell](#) manufacturer:

Other Similar products are found below :

[83228001](#) [01.098.1358.1](#) [602EN1-6B](#) [602EN532](#) [602EN535-RB](#) [602HE5-RB1](#) [604HE162](#) [604HE223-6B](#) [624HE17-RB](#) [6HM89](#) [6PA78-JM](#)
[6SE1](#) [6SX1-H58](#) [70500840](#) [MBD5B1](#) [MBH2731](#) [73-316-0012](#) [79211759](#) [79211923](#) [79218589](#) [7AS12](#) [ML-1155](#) [ML-1376](#) [831010C3.0](#)
[831060C3.TL](#) [831090C2.EL](#) [83131904](#) [84212012](#) [8AS239](#) [8HM73-3](#) [903VB1-PG](#) [914CE1-6G](#) [PL-100](#) [11SM1077-H4](#) [11SM1077-H58](#)
[11SM1-TN107](#) [11SM405](#) [11SM703-T](#) [11SM8423-H2](#) [11SX37-T](#) [11SX48-H58](#) [11SX55-H58](#) [11SM2442-T](#) [11SM76-T](#) [11SM77-H58](#)
[11SM77-T](#) [11SM863-T](#) [11SM866](#) [11SX47-H58](#) [A7CN-1M-1-LEFT](#)