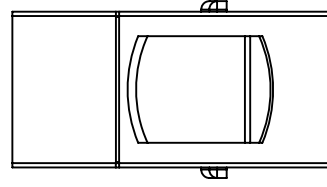
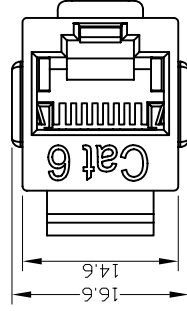
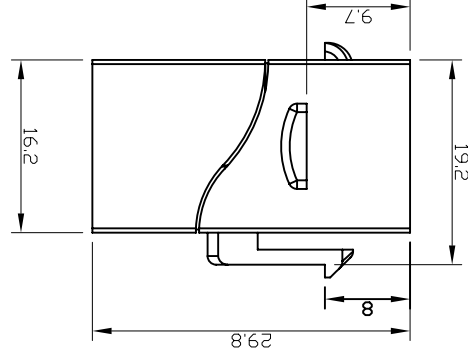
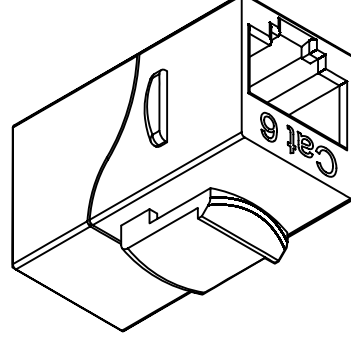




THIS SERIES FULLY CONFORMS TO THE EUROPEAN UNION DIRECTIVES 2002/95/EC AND 2002/96/EC FOR ROHS COMPLIANCY.



|  |          |   |          |
|--|----------|---|----------|
| DRAWING No<br>39-763631142   |          | Rj45 UNSHIELDED COUPLER PANEL<br>MOUNTED CAT6 OFFSET PIN BLACK. |          |
| SCALE  | SHEET OF | 1   | OF 1     |
| REV:   | REV:     | 1.0   | 1.0      |
| DATE   | DRAWN    | DATE  | APPROVED |
| 09-18-12   | Johnny   | 09-18-12  | Johnny   |
| THESE DRAWINGS AND SPECIFICATIONS ARE THE PROPERTY OF MH CONNECTORS LTD. AND SHALL NOT BE REPRODUCED, COPIED OR USED AS THE BASIS FOR THE MANUFACTURE OR SALE OF APPARATUS WITHOUT WRITTEN PERMISSION. |          |   |          |



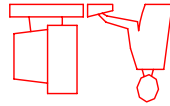
**Electrical specification:**  
 Insulation resistance: 500M $\Omega$   
 Dielectric withstanding voltage: 1000V AC  
 DC current rating: 1.5A  
 DC resistance: 0.1 $\Omega$   
 Contact resistance: 20m $\Omega$

**Physical specification:**  
 Coupler housing: polycarbonate resin high - impact UL94V-0 Thermoplastic  
 Contact holder: ABS high - impact UL94V-0 Thermoplastic  
 Spring wire: phosphor bronze 5100W temper wire,  $\varnothing=0.45$ mm, 3U AU / 30U  
 PDI over 60U nickel undercoat  
 Insertion life: 750 mating cycles with standard compliant RJ45 plug  
 Operating temperature: -10°C to 60°C  
 Storage temperature range: -40°C to 68°C  
 Humidity: 10%~90%RH

**Standard Verification:**  
 ANSI/TIA-568-B.2-1 channel compliant  
 ISO/IEC 11801 Class E channel compliant  
 ISO/IEC 60603-7, UL 1863



\* UNLESS OTHERWISE SPECIFIED TOLERANCES ON DECIMAL IS: ANGLE  $\pm 1^\circ$   
 .XX  $\pm 0.35$   
 UNIT: MM



THIS IS A C.A.D. GENERATED DRAWING  
 DO NOT MAKE MANUAL REVISIONS TO MASTER.

## X-ON Electronics

Largest Supplier of Electrical and Electronic Components

*Click to view similar products for [Modular Connectors / Ethernet Connectors](#) category:*

*Click to view products by [MH Connectors](#) manufacturer:*

Other Similar products are found below :

[RJE231881317T](#) [MP1010RX-1000](#) [MP44RX-1000](#) [GAX-3-66](#) [GAX-8-62](#) [93606-0253](#) [GD-A-44](#) [GDCX-PA-66-50](#) [GDCX-PN-64](#) [GDCX-PN-66](#) [GDCX-PN-66-50](#) [GDLX-A-66](#) [GDLX-A-88](#) [GDLX-N-66](#) [GDLX-S-88K](#) [GDTX-S-88-50](#) [GDX-PA-1010](#) [GLX-N-1010M-BLK](#) [GLX-N-44M](#) [GLX-S-88M-BLK](#) [GMX-N-1010](#) [GMX-S-1010](#) [GMX-S-66](#) [GMX-SMT2-N-1010](#) [GMX-SMT2-N-64-50](#) [GMX-SMT2-S6-88](#) [GMX-SMT4-N-88](#) [GPX-2-64](#) [GRT1-BT1-5](#) [GSGX-N-2-88](#) [GSX-NS2-88-3.05](#) [GSX-NS2-88-3.05-50](#) [GSX-NS-88-3.05-30](#) [GSX-NS-88-3.05-50](#) [GSX-NS-88-3.68](#) [1-1775629-2](#) [GWLX-S-88-GR](#) [GWLX-S9-88-YG](#) [1300500326](#) [1300500227](#) [1300530003](#) [1300570002](#) [1324640-4](#) [RJ11FTVC2G](#) [RJ11FTVC2N](#) [RJFTVX2SA1G](#) [132764-001](#) [1400000](#) [1413176](#) [1413235](#)