

ROHS COMPLIANT



MH CONNECTORS LTD.

DRAWING No

MHD45PK SERIES

SCALE NTS

SHEET OF 1
REV: B

THESE DRAWINGS AND SPECIFICATIONS ARE THE PROPERTY OF MH CONNECTORS LTD. AND SHALL NOT BE REPRODUCED, COPIED OR USED AS THE BASIS FOR THE MANUFACTURE OR SALE OF APPARATUS WITHOUT WRITTEN PERMISSION.

APPROVED

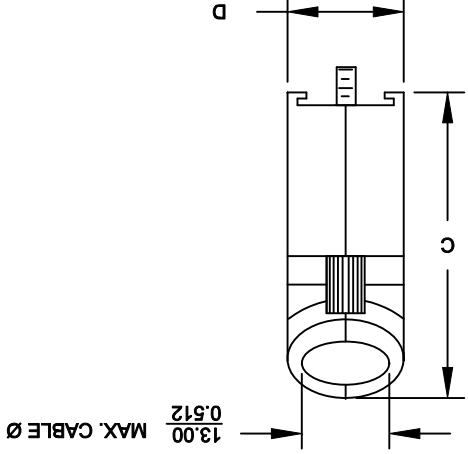
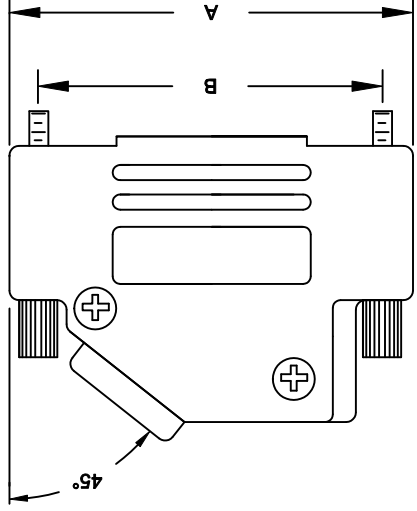
P. JENKINS

DATE 03-14-12

D. CRDFT

DATE 03-14-12

PLASTIC: ABS POLYLAC - UL RECOGNIZED
NICKEL PLATED
4-40 THUMBSCREWS: STEEL - ZN PLATED
HOOD SCREWS: STEEL - ZN PLATED
COMPRESSION INSERTS: ABS UL RECOGNIZED
NUTS: STEEL - Zn PLATED
OPERATING TEMP: -55°C TO +110°



SIZE:	P/N BULK:	PRODUCT CODE:
9-WAY	6561-0146-11	MHD45PK-9
15-WAY	6561-0146-12	MHD45PK-15
25-WAY	6561-0146-13	MHD45PK-25
37-WAY	6561-0146-14	MHD45PK-37

SIZE:	P/N KITTED:	PRODUCT CODE:
9-WAY	6560-0146-11	MHD45PK-9-K
15-WAY	6560-0146-12	MHD45PK-15-K
25-WAY	6560-0146-13	MHD45PK-25-K
37-WAY	6560-0146-14	MHD45PK-37-K

ORDERING INFORMATION

DIMENSIONS (mm/in)		SIZE:	
A	B	C	D
±.127	±.13	±.010	±.25
31.00	24.99	36.30	15.00
1.220	0.984	1.429	0.591
39.50	33.32	40.30	15.00
1.555	1.312	1.587	0.591
53.20	47.04	40.30	15.00
2.094	1.852	1.587	0.591
69.70	63.50	40.30	15.00
2.744	2.500	1.587	0.591
37			
25			
15			
9			

BACKSHELL KIT INCLUDES:
(2) BACKSHELL HALVES
(2) 4-40 THUMBSCREWS
(2) HOUSING SCREWS & (2) NUTS
(1) SET OF COMPRESSION INSERTS - VARIOUS SIZES
DIAMETERS: 4mm (.157"), 5mm (.197"), 7mm (.276"), 9mm (.351")
NOTE: 9 POSITION HAS ONLY 1 THUMBSCREW
(OPPOSITE CABLE ENTRY)

X-ON Electronics

Largest Supplier of Electrical and Electronic Components

Click to view similar products for [D-Sub Standard Connectors](#) category:

Click to view products by [MH Connectors](#) manufacturer:

Other Similar products are found below :

[DCM37S732N](#) [DAM15P500](#) [DEV09S364GTLF](#) [DEM09P032N](#) [DDM50P732N](#) [DAM15S332N](#) [173109-2218](#) [173109-2466](#) [173109-2436](#)
[173109-2435](#) [56F706-005-LI](#) [56F711-015](#) [015-0341-000](#) [015-0372-008](#) [015-8544-011](#) [017041-0005](#) [020419-0104](#) [012-0515-000](#) [012-9507-](#)
[034](#) [012-9507-114](#) [012-9534-001](#) [020745-0008](#) [609-25P](#) [M24308/2-23Z](#) [M243082310F](#) [M243082410F](#) [M243082411F](#) [M24308/4-21](#)
[CT1A18-11PSA206](#) [CT1N36-5SC](#) [CT2-16S-17PS](#) [CT2-20-15PCAU](#) [CT2-24-12PS](#) [CT2-24-28PSF127A206](#) [CT2-32-9PC](#) [CT6F9767-14-4-](#)
[14S-5PC](#) [CT6FA10SL-4PS](#) [CT7-18-10SC](#) [CT7-18-10SCAU](#) [CT7-18-12SCAU](#) [CT7-18-1PC](#) [CT7-18-1PCAU](#) [CT7-18-21SCAU](#) [M83513/01-](#)
[FC](#) [M83723/76W24619 L/C](#) [M85049/48-3-2F](#) [69001-865](#) [6STD09PCM99B70X](#) [6STD09SCM99B30X](#) [6STD09SCT99S40X](#)