



THIS SERIES FULLY CONFORMS TO THE EUROPEAN UNION DIRECTIVES 2002/95/EC AND 2002/96/EC FOR ROHS COMPLIANCY.

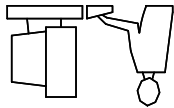
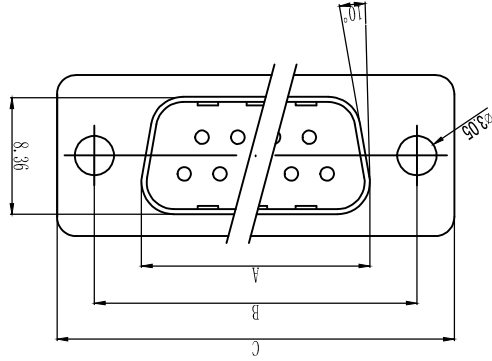
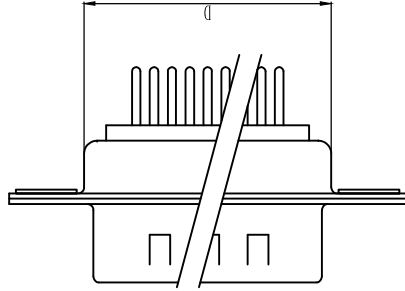
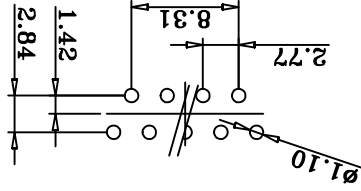


MH CONNECTORS LTD.

DRAWING No		MHDXX-M-T-B-M	
SCALE	SHEET OF	1	1
REV:	DATE	6.0	08-20-13
APPROVED		DATE	
Haley		08-20-13	
DRAWN		DATE	
Haley		08-20-13	

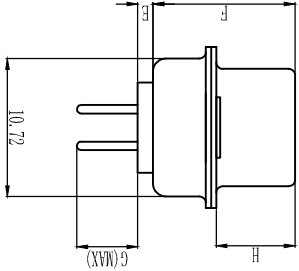
THESE DRAWINGS AND SPECIFICATIONS ARE THE PROPERTY OF MH CONNECTORS LTD. AND SHALL NOT BE REPRODUCED, COPIED OR USED AS THE BASIS FOR THE MANUFACTURE OR SALE OF APPARATUS WITHOUT WRITTEN PERMISSION.

P.C.B LAYOUT



THIS IS A C.A.D. GENERATED DRAWING DO NOT MAKE MANUAL REVISIONS TO MASTER.

- “D-SUB” CONNECTOR STRAIGHT DIP TYPE “PLUG” MACHAINED PIN.**
- PRODUCT:ROHS**
- 1.1. SHELL: STEEL NICKEL TIN PLATED.
 - 1.2. PIN CONTACT: BRASS GOLD PLATED OVER NICKEL.
 - 1.3. INSULATOR: PBT & GLASS-FIBRE REINFORCED.
- UL 94V-0 .
- 2.ELECTRICAL CHARACTERISTICS:**
- 2.1. CONTACT RATING: 5 AMP.
 - 2.2. DIELECTRIC STRENGTH: 1000V FOR ONE MINUTE.
 - 2.3. INSULATOR RESISTANCE: 1000MΩ MIN AT 500V DC.
 - 2.4. TEMPERATURE: -55C~+105C



Order information		Dimensions(mm)												
Part Number	SIZE	A±0.13	B±0.13	C±0.35	D±0.35	E±0.35	F±0.35	G±0.35	H±0.35	9	15	25	37	50
MHDD09-M-T-B-M	9	16.92	24.99	30.81	19.23	1.0	10.8	4.50	5.84					
MHDD15-M-T-B-M	15	25.25	33.32	39.14	27.56	1.0	10.8	4.50	5.84					
MHDD25-M-T-B-M	25	38.96	47.04	53.04	41.30	1.0	10.8	4.50	5.84					
MHDD37-M-T-B-M	37	55.42	63.50	69.32	57.71	1.0	10.8	4.50	5.84					
MHDD50-M-T-B-M	50	52.86	61.11	66.92	55.30	1.0	10.8	4.50	5.84					

* UNLESS OTHERWISE SPECIFIED TOLERANCES ON DECIMAL IS: ±0.35 UNIT: MM

X-ON Electronics

Largest Supplier of Electrical and Electronic Components

Click to view similar products for [D-Sub Standard Connectors](#) category:

Click to view products by [MH Connectors](#) manufacturer:

Other Similar products are found below :

[DCM37S732N](#) [DAM15P500](#) [DEV09S364GTLF](#) [DEM09P032N](#) [DDM50P732N](#) [DAM15S332N](#) [173109-2218](#) [173109-2466](#) [173109-2436](#)
[173109-2435](#) [56F706-005-LI](#) [56F711-015](#) [015-0341-000](#) [015-0372-008](#) [015-8544-011](#) [017041-0005](#) [020419-0104](#) [012-0515-000](#) [012-9507-](#)
[034](#) [012-9507-114](#) [012-9534-001](#) [020745-0008](#) [609-25P](#) [M24308/2-23Z](#) [M243082310F](#) [M243082410F](#) [M243082411F](#) [M24308/4-21](#)
[CT1A18-11PSA206](#) [CT1N36-5SC](#) [CT2-16S-17PS](#) [CT2-20-15PCAU](#) [CT2-24-12PS](#) [CT2-24-28PSF127A206](#) [CT2-32-9PC](#) [CT6F9767-14-4-](#)
[14S-5PC](#) [CT6FA10SL-4PS](#) [CT7-18-10SC](#) [CT7-18-10SCAU](#) [CT7-18-12SCAU](#) [CT7-18-1PC](#) [CT7-18-1PCAU](#) [CT7-18-21SCAU](#) [M83513/01-](#)
[FC](#) [M83723/76W24619 L/C](#) [M85049/48-3-2F](#) [69001-865](#) [6STD09PCM99B70X](#) [6STD09SCM99B30X](#) [6STD09SCT99S40X](#)