



# 500-047 EMI/RFI Elliptical Banding Backshell



**Elliptical Backshells** provide extra room for large wire bundles. This one piece version features an oversize shield termination area for both standard and micro BandMaster™ ATS shield termination straps.

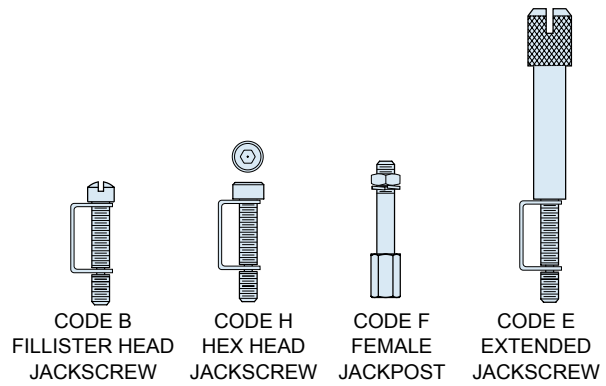
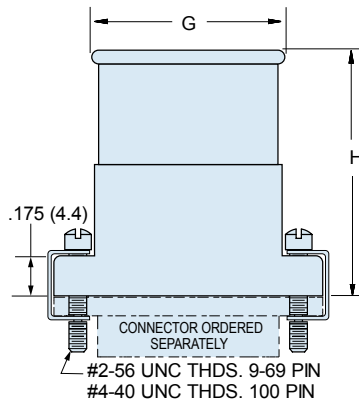
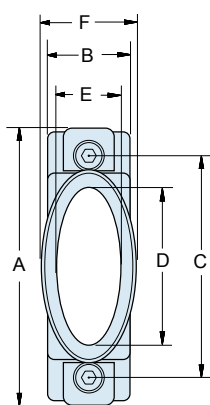
### Materials

- Shell: Aluminum Alloy 6061 -T6
- Clips: 17-7PH Stainless Steel
- Hardware: 300 Series Stainless Steel

### How To Order EMI/RFI Elliptical Backshells

|                              |   |  |                      |          |
|------------------------------|---|--|----------------------|----------|
| <b>Sample Part Number</b>    | <b>500-047</b>  | <b>M</b>   | <b>25</b>            | <b>H</b> |
| <b>Series</b>                | <b>500-047</b>  |  |                      |          |
| <b>Shell Finish</b>          | <b>E</b> – Chem Film (Alodyne)<br><b>M</b> – Electroless Nickel<br><b>Z2</b> – Gold                                   | <b>J</b> – Cadmium, Yellow Chromate<br><b>NF</b> – Cadmium, Olive Drab |                      |          |
| <b>Connector Size</b>        | <b>09, 15, 21, 25, 31, 37 51, 51-2, 67, 69, 100</b> (See Table I)   |  |                      |          |
| <b>Hardware Option</b>       | <b>B</b> – Fillister Head Jackscrew<br><b>E</b> – Extended Jackscrew  | <b>H</b> – Hex Head Jackscrew<br><b>F</b> – Jackpost, Female           | <b>(See Table I)</b> |          |
| <b>EMI Band Strap Option</b> | <b>Omit (Leave Blank) – Band Not Included</b><br><b>B</b> – Standard Band .250" Wide <b>M</b> – Micro Band .125" Wide |  |                      |          |

**Table I: Dimensions**



| Size | A Max. |       | B Max. |       | C     |       | D Max. |       | E    |            | F Max. |       | G Max. |       | H Max. |       |
|------|--------|-------|--------|-------|-------|-------|--------|-------|------|------------|--------|-------|--------|-------|--------|-------|
|      | In.    | mm.   | In.    | mm.   | In.   | mm.   | In.    | mm.   | In.  | mm. ± 0.38 | In.    | mm.   | In.    | mm.   | In.    | mm.   |
| 09   | .850   | 21.59 | .370   | 9.40  | .565  | 14.35 | .312   | 7.92  | .281 | 7.14       | .450   | 11.43 | .481   | 12.22 | .780   | 19.81 |
| 15   | 1.000  | 25.40 | .370   | 9.40  | .715  | 18.16 | .420   | 10.67 | .281 | 7.14       | .450   | 11.43 | .589   | 14.96 | .910   | 23.11 |
| 21   | 1.150  | 29.21 | .370   | 9.40  | .865  | 21.97 | .591   | 15.01 | .281 | 7.14       | .450   | 11.43 | .759   | 19.28 | 1.030  | 26.16 |
| 25   | 1.250  | 31.75 | .370   | 9.40  | .965  | 24.51 | .690   | 17.53 | .281 | 7.14       | .450   | 11.43 | .859   | 21.82 | 1.090  | 27.68 |
| 31   | 1.400  | 35.56 | .370   | 9.40  | 1.115 | 28.32 | .820   | 20.83 | .281 | 7.14       | .450   | 11.43 | .989   | 25.12 | 1.150  | 29.21 |
| 37   | 1.550  | 39.37 | .370   | 9.40  | 1.265 | 32.13 | .970   | 24.64 | .281 | 7.14       | .450   | 11.43 | 1.139  | 28.93 | 1.180  | 29.97 |
| 51   | 1.500  | 38.10 | .410   | 10.41 | 1.215 | 30.86 | .920   | 23.37 | .312 | 7.92       | .481   | 12.22 | 1.089  | 27.66 | 1.220  | 30.99 |
| 51-2 | 1.910  | 48.51 | .370   | 9.40  | 1.615 | 41.02 | 1.030  | 26.16 | .281 | 7.14       | .450   | 11.43 | 1.489  | 37.82 | 1.220  | 30.99 |
| 67   | 2.310  | 58.67 | .370   | 9.40  | 2.015 | 51.18 | 1.720  | 43.69 | .281 | 7.14       | .450   | 11.43 | 1.889  | 47.98 | 1.220  | 30.99 |
| 69   | 1.810  | 45.97 | .410   | 10.41 | 1.515 | 38.48 | 1.220  | 30.99 | .312 | 7.92       | .481   | 12.22 | 1.389  | 35.28 | 1.220  | 30.99 |
| 100  | 2.235  | 56.77 | .460   | 11.68 | 1.800 | 45.72 | 1.290  | 32.77 | .360 | 9.14       | .529   | 13.44 | 1.459  | 37.06 | 1.280  | 32.51 |

M

## X-ON Electronics

Largest Supplier of Electrical and Electronic Components

*Click to view similar products for* [Circular MIL Spec Tools, Hardware & Accessories](#) *category:*

*Click to view products by* [Glenair](#) *manufacturer:*

Other Similar products are found below :

[809-199-3](#) [001104](#) [300 04](#) [600-006-16](#) [600-079-06](#) [M10-101982-143](#) [M10-101982-163](#) [M10-101983-183](#) [M10-150912-083](#) [M10-454396-008](#) [602GB18808](#) [M225201-06](#) [M24758-20E21](#) [M2887610-BC](#) [M2887615-CD](#) [M38999/9-19B](#) [62GB-812-10](#) [630A007NF083A](#) [630B007M051A](#) [630BJ003NF032H](#) [637-149NF04B](#) [M39029/29-215](#) [650FS002NF16](#) [M81969-14-02](#) [660-008NF14S7-01](#) [660-009M22H8-03](#) [660-013NF19U6-210](#) [660-015M10S6-17](#) [660-015NF10S5-01](#) [660-015NF14R3.5-01](#) [660-023NF19H6-19](#) [660-024N09S5-104](#) [660-024NF11S12-01](#) [660-024NF11S3-01](#) [660-050XM17F4-01](#) [660-068NF25R6-30G](#) [660-070M23S8-04](#) [660-073MTCH9-20](#) [M83723/60-116RC](#) [M83723/61-18W](#) [M83723/61-218R](#) [M83723/61-224W](#) [667-224NF16](#) [M85049/118S22A](#) [M85049/126S11N](#) [M85049130-07M](#) [M85049140-09BC](#) [M85049/41-16A W/B](#) [687-697NF-1](#) [M85049/75-14-1](#) [M8504980-8](#)