



**50 - 2100LN**  
**50-2100AN**  
**50-2100MR**

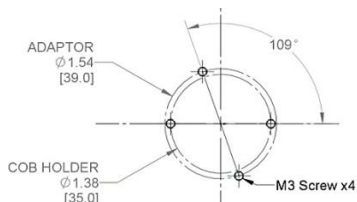
CHIP-LOK™ REFLECTOR ADAPTOR  
 FOR USE WITH **LEDiL** REFLECTORS

**FEATURES/BENEFITS:**



- OPTICALLY EFFICIENT ADAPTOR ENABLES EASY ATTACHMENT OF LEDiL REFLECTORS WITH CHIP-LOK LED ARRAY HOLDERS.
- REFLECTOR INTERFACE SUPPORTS LEDiL LENA, LENINIA, ANGELA, ANGELINA, AND MIRELLA
- BREAK AWAY TAB DESIGN ALLOWS FOR VERSATILE ATTACHMENT TO MULTIPLE COB ARRAYS
- SUPPORTED COB MANUFACTURERS: CREE, CITIZEN, PHILIPS, LG, NICHIA, SHARP AND BRIDGELUX
- STANDARDIZED MOUNTING SCREW LOCATIONS MAKES CHANGES TO OTHER ARRAYS AND REFLECTORS SIMPLE

**APPLICATION:**



**MECHANICAL:**

MOUNTING HOLE SPACING: 1.54 IN (39.0 mm)  
 SCREW SIZE: M3  
 SCREW TORQUE: 1.0 IN-LB (0.1 Nm)  
 -POLARIZED MARKINGS PROVIDE INSTALLATION ORIENTATION

**PHYSICAL:**

HOUSING: POLYCARBONATE  
 TEMPERATURE: 90°C (194°F)  
 COLOR: WHITE  
 FLAME RATING: 94 V-2

**STANDARDS & SPECIFICATIONS:**

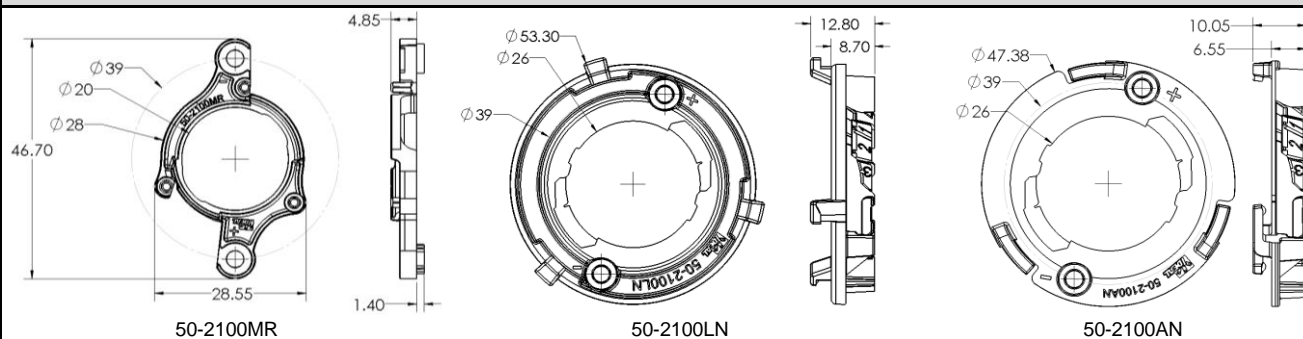
-RoHS AND REACH COMPLIANT

**COMPATABILITY CHART:**

Ledil Family	Mirella PF	Lena/Leninina	Angela/Angelina	IDEAL Holder	IDEAL Holder Family
IDEAL Catalog No.	IDEAL 50-2100MR	IDEAL 50-2100LN	IDEAL 50-2100AN		
Citizen CLU03X		•	•	50-2103CT	Chip-Lok
Citizen CLU04X		•	•	50-2204CT	Chip-Lok
Cree CX_18	•	•	•	50-2101CR	Chip-Lok Jr.
Cree CX_18		•	•	50-3001CR	Chip-Lok Jr.
Cree CX_25		•	•	50-2102CR	Chip-Lok
Cree CX_25		•	•	50-3002CR	Chip-Lok Jr.
Cree CX_30		•	•	50-2234C	Chip-Lok
LG LEMWM18		•	•	50-2100LG	Chip-Lok
Lumileds 1203	•	•	•	50-2100NC	Chip-Lok
Lumileds 1204, 1205, 1208		•	•	50-2100SH	Chip-Lok
Nichia NSBxL110, NFCxLO36B, NFCxLO60B, NVCxLO24Z	•	•	•	50-2100NC	Chip-Lok
Nichia NFCxJ108B, NFDxJ130B, NVExJ048Z		•	•	50-2103NC	Chip-Lok
Sharp Mega ZENIGATA		•	•	50-2100SH	Chip-Lok

**ORDERING INFO:**

CATALOG #	REFLECTOR DESCRIPTION	PACKAGE TYPE:	WEIGHT LBS (KG)
50-2100AN	ANGELA / ANGELINA	500 PIECE	2.0 (0,9)
50-2100LN	LENA / LENINIA	500 PIECE	3.5 (1,6)
50-2100 MR	MIRELLA PF	500 PIECE	1.3 (0,6)



## X-ON Electronics

Largest Supplier of Electrical and Electronic Components

*Click to view similar products for* [Complete Assemblies for Panel Mount Indicator Lamps](#) *category:*

*Click to view products by* [Ideal Industries](#) *manufacturer:*

Other Similar products are found below :

[177-8430-0932-503](#) [250-7558-3331-504](#) [177-8430-0931-503](#) [249-7841-0937-574](#) [270-1930-0272-702](#) [367-8430-0933-503](#) [367-8430-0931-503](#) [367-8430-0973-503](#) [450-01RB](#) [803-1710-0333-805](#) [39-1752-24](#) [50-2101CR](#) [39-5644-05](#) [50-682SF](#) [803-1710-0333-504](#) [19-3206-05-303](#) [50-2100LN](#) [249-7841-1433-574](#) [LC12CN2](#) [50-2100MR](#) [1132937200](#) [13788360931552](#) [095042809201](#) [13788360937552](#) [0510111303](#) [0510135203](#) [24978661435514](#) [27018300171702](#) [27019300111702](#) [27018300111702](#) [27019303111702](#) [80317100337504](#) [80417100333504](#) [80317100332804](#) [930404X724WN](#) [047-0901-2900-201](#) [051-3502-0137-203](#) [103-3527-05-103](#) [249-7841-0933-544](#) [249-7841-0933-574](#) [249-7841-0935-574](#) [249-7841-1433-544](#) [249-7841-1435-574](#) [249-7841-1436-574](#) [249-7841-1437-544](#) [249-7841-1437-574](#) [249-7866-0331-514](#) [249-7866-0931-514](#) [249-7866-1433-514](#) [249-7866-1437-514](#)