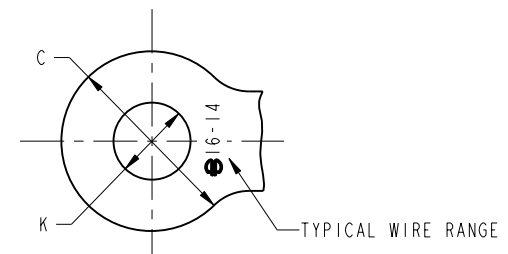
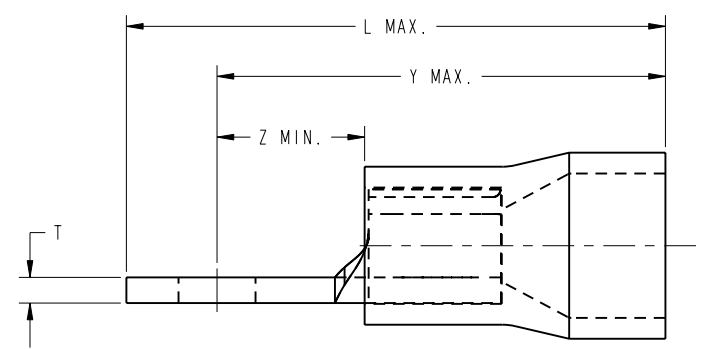
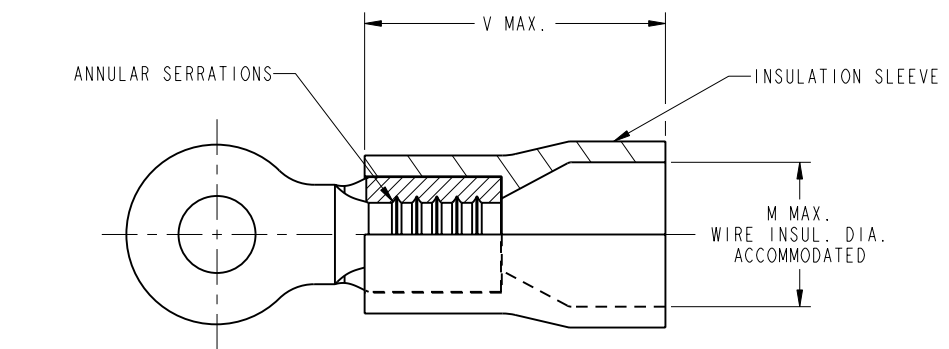


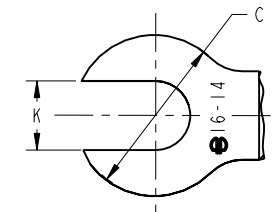
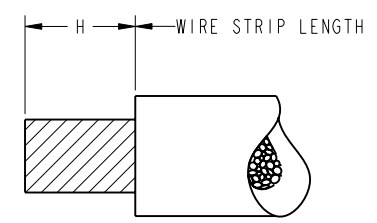
DRAWING NO.  
SD060605

ACCOMMODATES	
TERMINALS	CONDUCTOR
TP10_, BA10E_	#12-10 AWG STRANDED WIRE
TP14_, BA14E_	#14 & 16 AWG SOLID & STRANDED WIRE
TP16_, BA16E_	#20-22 AWG SOLID & STR. WIRE #16-18 AWG SOLID & STR WIRE

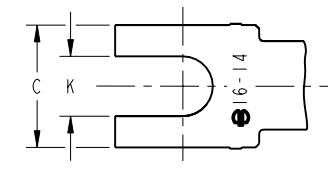
REV	DATE	DESCRIPTION	ECO	BY	C'H'K.
E	01/19/2015 05:00:00 AM	CATALOG # TP16E# AB08	38929	RG	BSB



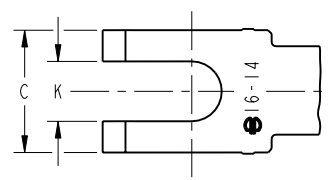
RING  
BA\_\_E\_\_, TP\_\_  
FIG. 1



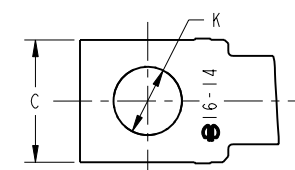
SLOTTED RING  
BA\_\_EC\_  
FIG. 2



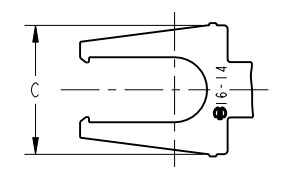
FORK  
BA\_\_EF\_\_, TP\_\_F  
FIG. 3



FLANGED FORK  
BA\_\_EZ\_\_, TP\_\_Z  
FIG. 4



RECTANGULAR  
BA\_\_ES\_  
FIG. 5



FORK-LOK  
BA\_\_EL\_\_, TP\_\_LF  
FIG. 6

- NOTES:
- THIS DRAWING TO BE INTERPRETED PER ASME Y14.5M - 1994.
  - BREAK ALL SHARP EDGES UNLESS OTHERWISE SPECIFIED.
  - MATERIAL:  
TERMINAL: COPPER  
INSULATION: POLYVINYL CHLORIDE
  - FINISH:  
TERMINAL: TIN PLATE.
  - ANY CHANGE TO THIS DWG. WILL AFFECT SKMD19561, METRIC EQUIVALENT DWG.
  - UL LISTED.
  - CSA CERTIFIED.
  - WIRE CONNECTION:  
600V. (1000V. IN SIGNS AND FIXTURES) 105°

REFERENCE: FD073827 BA.E\_ VINYLUG, PK662  
SUPERSEDES: SC073939-06

<p>TO ORDER BURNDY® PRODUCTS CALL</p> <p>UNITED STATES 1-800-346-4175 (LONDONDERRY, NH)</p> <p>CANADA: 1-800-361-6975 (QUEBEC) 1-800-387-6487 (ALL OTHER PROVINCES)</p> <p>FOR PRODUCT INFO: <a href="http://www.burndy.com">http://www.burndy.com</a></p>	VINYLUG	
	ITEM NO: --	SCALE: 9:000
	CAT. NO: BA__E__, TP__ (SEE TABLE)	
	DRAWN BY: R.TOM 02/16/66	DRAWING NO: SD060605
	CHECKER: S.F.P. 09/19/66	REV: E
DSN APPVL: W.B. 01/12/67		
MFG APPVL: --		
QA APPVL: --		
MKT APPVL: --	PROJ #: --	SIZE: D
PROJ #: --	PROJECT #: --	DOCUMENT TYPE: Sales
REL LEVEL: Released	REL LEVEL: Released	SHEET 1 OF 3

REV: PE0200

DRAWING NO.  
SD060605

REV DATE DESCRIPTION ECO BY C'H'K.  
E 01/19/2015 05:00:00 AM CATALOG # TP1614F AR00 38929 RG BSB

STUD SIZE	CATALOG NUMBER	BULK CATALOG NUMBER	C		K		Y MAX.	Z MIN.	L MAX.	T	V MAX.	M MAX. WIRE INSUL. DIA. ACCOM.	H	COLOR CODE	FIG.
			MAX.	MIN.	MAX.	MIN.									
2	TP162	BA16E2	.226	.210	.098	.088	.61	.17	.71	.032	.41	.145	1/4"	RED	1
4	TP164	BA16E4	.226	.210	.124	.114	.61	.17	.71						
6	TP166	BA16E6	.258	.242	.150	.140	.62	.18	.74						
8	TP168	BA16E8	.320	.304	.176	.166	.70	.26	.85						
10	TP1610	BA16E10	.320	.304	.202	.192	.70	.26	.85						
1/4	TP1614	BA16E14	.408	.392	.275	.255	.79	.36	.99						
5/16	TP16516	BA16E516	.539	.523	.338	.318	.88	.45	1.15						
3/8	TP1638	BA16E38	.539	.523	.400	.380	.88	.45	1.15						
2	TP142	BA14E2	.226	.210	.098	.088	.61	.17	.71	.032	.41	.180	1/4"	BLUE	1
4	TP144	BA14E4	.226	.210	.124	.114	.61	.17	.71						
6	TP146	BA14E6	.258	.242	.150	.140	.62	.18	.74						
8	TP148	BA14E8	.320	.304	.176	.166	.70	.26	.85						
10	TP1410	BA14E10	.320	.304	.202	.192	.70	.26	.85						
1/4	TP1414	BA14E14	.408	.392	.275	.265	.79	.36	.99						
5/16	TP14516	BA14E516	.539	.523	.338	.318	.88	.45	1.15						
3/8	TP1438	BA14E38	.539	.523	.400	.380	.88	.45	1.15						
4	TP104	BA10E4	.320	.304	.124	.114	.75	.20	.91	.040	.53	.260	11/32"	YELLOW	1
6	TP106	BA10E6	.320	.304	.150	.140	.75	.20	.91						
8	TP108	BA10E8	.366	.350	.176	.166	.81	.26	1.00						
10	TP1010	BA10E10	.366	.350	.202	.192	.81	.26	1.00						
1/4	TP1014	BA10E14	.539	.523	.275	.265	.95	.40	1.22						
5/16	TP10516	BA10E516	.539	.523	.338	.318	.95	.40	1.22						
3/8	TP1038	BA10E38	.539	.523	.400	.380	1.00	.45	1.27						
1/2	TP1012	BA10E12	.726	.710	.535	.515	1.15	.61	1.52						
10	-	BA10E10T1	.320	.304	.202	.192	.75	.20	.91						
2	-	BA16EC2	.226	.210	.098	.088	.61	.17	.70	.032	.41	.145	1/4"	RED	2
4	-	BA16EC4	.226	.210	.124	.114	.61	.17	.70						
6	-	BA16EC6	.258	.242	.150	.140	.62	.18	.72						
8	-	BA16EC8	.320	.304	.176	.166	.70	.26	.83						
10	-	BA16EC10	.320	.304	.202	.192	.69	.26	.81						
1/4	-	BA16EC14	.408	.392	.275	.255	.79	.36	.94						
5/16	-	BA16EC516	.539	.523	.338	.318	.88	.45	1.09						
3/8	-	BA16EC38	.539	.523	.400	.380	.88	.45	1.06						
2	-	BA14EC2	.226	.210	.098	.088	.61	.17	.70	.032	.41	.180	1/4"	BLUE	2
4	-	BA14EC4	.226	.210	.124	.114	.61	.17	.70						
6	-	BA14EC6	.258	.242	.150	.140	.62	.18	.72						
8	-	BA14EC8	.320	.304	.176	.166	.70	.26	.83						
10	-	BA14EC10	.320	.304	.202	.192	.69	.26	.81						
1/4	-	BA14EC14	.408	.392	.275	.265	.79	.36	.94						
5/16	-	BA14EC516	.539	.523	.338	.318	.88	.45	1.09						
3/8	-	BA14EC38	.539	.523	.400	.380	.88	.45	1.06						
4	-	BA10EC4	.320	.304	.124	.114	.75	.20	.89	.040	.53	.260	11/32"	YELLOW	2
6	-	BA10EC6	.320	.304	.150	.140	.75	.20	.88						
8	-	BA10EC8	.366	.350	.176	.166	.81	.26	.97						
10	-	BA10EC10	.366	.350	.202	.192	.81	.26	.97						
1/4	-	BA10EC14	.539	.523	.275	.265	.95	.40	1.18						
5/16	-	BA10EC516	.539	.523	.338	.318	.95	.40	1.16						
3/8	-	BA10EC38	.539	.523	.400	.380	1.00	.45	1.18						
1/2	-	BA10EC12	.726	.710	.535	.515	1.15	.061	1.50						

STUD SIZE	CATALOG NUMBER	BULK CATALOG NUMBER	C		K		Y MAX.	Z MIN.	L MAX.	T	V MAX.	M MAX. WIRE INSUL. DIA. ACCOM.	H	COLOR CODE	FIG.
			MAX.	MIN.	MAX.	MIN.									
2	TP162F	BA16EF2	.178	.166	.098	.088	.66	.23	.75	.032	.41	.145	1/4"	RED	3
6	TP166F	BA16EF6	.287	.275	.150	.140	.66	.23	.80						
8	TP168F	BA16EF8	.318	.306	.176	.166	.69	.26	.86						
10	TP1610F	BA16EF10	.412	.400	.202	.192	.75	.31	.95						
10	-	BA16EF10T1	.365	.353	.202	.192	.75	.31	.93						
2	TP142F	BA14EF2	.178	.166	.098	.088	.66	.23	.75	.032	.41	.180	1/4"	BLUE	3
6	TP146F	BA14EF6	.287	.275	.150	.140	.66	.23	.80						
8	TP148F	BA14EF8	.318	.306	.176	.166	.69	.26	.86						
10	TP1410F	BA14EF10	.412	.400	.202	.192	.75	.31	.95						
10	-	BA14EF10T1	.365	.353	.202	.192	.75	.31	.93						
6	TP106F	BA10EF6	.287	.275	.150	.140	.81	.26	.95	.040	.53	.260	11/32"	YELLOW	3
8	TP108F	BA10EF8	.318	.306	.176	.166	.81	.26	.98						
10	TP1010F	BA10EF10	.412	.400	.202	.192	.87	.31	1.07						
10	-	BA10EF10T1	.365	.353	.202	.192	.87	.31	1.05						
1/4	TP1014F	-	.475	.460	.265	.255	-	.46	1.269						
2	TP162Z	BA16EZ2	.178	.166	.098	.088	.66	.23	.78	.032	.41	.145	1/4"	RED	4
6	TP166Z	BA16EZ6	.287	.275	.150	.140	.66	.23	.83						
8	TP168Z	BA16EZ8	.318	.306	.176	.166	.69	.26	.88						
10	TP1610Z	BA16EZ10	.412	.400	.202	.192	.75	.31	.96						
10	-	BA16EZ10T1	.365	.353	.202	.192	.75	.31	.96						

REV: PE0200

TO ORDER BURNDY® PRODUCTS CALL  
 UNITED STATES  
 1-800-346-4175 (LONDONDERRY, NH)  
 CANADA:  
 1-800-361-6975 (QUEBEC)  
 1-800-387-6487 (ALL OTHER PROVINCES)  
 FOR PRODUCT INFO: <http://www.burndy.com>

VINYLUG	
ITEM NO: --	
CAT. NO: BA_E_, TP_ (SEE TABLE)	
DRAWN BY: R.TOM 02/16/66	
CHECKER: S.F.P. 09/19/66	
DSN APPVL: W.B. 01/12/67	
MFG APPVL: --	
QA APPVL: --	
MKT APPVL: --	
PROD FAM: CM&R COMPRESSION	DRAWING NO
PROJECT #: --	SD060605
DOCUMENT TYPE: Sales	SHEET 2 OF 3
REL LEVEL: Released	



8

7

6

5

4

3

2

1

D

C

B

A

D

C

B

A

DRAWING NO.  
SD060605

REV	DATE	DESCRIPTION	ECO	BY	C'H'K.
E	01/19/2015 05:00:00 AM	CATALOG # TP1010Z	38929	RG	BSB

STUD SIZE	CATALOG NUMBER	BULK CATALOG NUMBER	C		K		Y MAX.	Z MIN.	L MAX.	T	V MAX.	M MAX. WIRE DIA.	INSUL. ACCOM.	H	COLOR CODE	FIG.
			MAX.	MIN.	MAX.	MIN.										
2	TP142Z	BA14EZ2	.178	.166	.098	.088	.66	.23	.78	.032	.41	.180	1/4"	BLUE	4	
6	TP146Z	BA14EZ6	.287	.275	.150	.140	.66	.23	.83							
8	TP148Z	BA14EZ8	.318	.306	.176	.166	.69	.26	.88							
10	TP1410Z	BA14EZ10	.412	.400	.202	.192	.75	.31	.96							
10	-	BA14EZ10T1	.365	.353	.202	.192	.75	.31	.96							
6	TP106Z	BA10EZ6	.287	.275	.150	.140	.81	.26	.99	.040	.53	.260	11/32"	YELLOW	4	
8	TP108Z	BA10EZ8	.318	.306	.176	.166	.81	.26	1.01							
10	TP1010Z	BA10EZ10	.412	.400	.202	.192	.87	.31	1.09							
10	-	BA10EZ10T1	.365	.353	.202	.192	.87	.31	1.09							
2	-	BA16ES2	.178	.166	.098	.088	.66	.23	.75	.032	.41	.145	1/4"	RED	5	
6	-	BA16ES6	.287	.275	.150	.140	.66	.23	.80							
8	-	BA16ES8	.318	.306	.176	.166	.69	.26	.86							
10	-	BA16ES10	.412	.400	.202	.192	.75	.31	.95							
10	-	BA16ES10T1	.365	.353	.202	.192	.75	.31	.93							
2	-	BA14ES2	.178	.166	.098	.088	.66	.23	.75	.032	.41	.180	1/4"	BLUE	5	
6	-	BA14ES6	.287	.275	.150	.140	.66	.23	.80							
8	-	BA14ES8	.318	.306	.176	.166	.69	.26	.86							
10	-	BA14ES10	.412	.400	.202	.192	.75	.31	.95							
10	-	BA14ES10T1	.365	.353	.202	.192	.75	.31	.93							
6	-	BA10ES6	.287	.275	.150	.140	.81	.26	.95	.040	.53	.260	11/32"	YELLOW	5	
8	-	BA10ES8	.318	.306	.176	.166	.81	.26	.98							
10	-	BA10ES10	.412	.400	.292	.102	.87	.31	1.07							
10	-	BA10ES10T1	.365	.353	.292	.102	.87	.31	1.05							
6	TP166LF	BA16EL6	.289	.273	.146	.136	.66	.23	.87	.032	.41	.145	1/4"	RED	6	
8	TP168LF	BA16EL8	.321	.305	.172	.162	.69	.26	.91							
10	TP1610LF	BA16EL10	.367	.351	.198	.188	.75	.31	1.02							
6	TP146LF	BA14EL6	.289	.273	.146	.136	.66	.23	.87	.032	.41	.180	1/4"	BLUE	6	
8	TP148LF	BA14EL8	.321	.305	.172	.162	.69	.26	.91							
10	TP1410LF	BA14EL10	.367	.351	.198	.188	.75	.31	1.02							
6	TP106LF	BA10EL6	.289	.273	.146	.136	.81	.26	1.05	.040	.53	.260	11/32"	YELLOW	6	
8	TP108LF	BA10EL8	.321	.305	.172	.162	.81	.26	1.07							
10	TP1010LF	BA10EL10	.367	.351	.198	.188	.87	.31	1.16							

REV: PE0200

TO ORDER BURNDY® PRODUCTS CALL UNITED STATES 1-800-346-4175 (LONDONDERRY, NH)  CANADA: 1-800-361-6975 (QUEBEC) 1-800-387-6487 (ALL OTHER PROVINCES)  FOR PRODUCT INFO: <a href="http://www.burndy.com">http://www.burndy.com</a>		VINYLUG	
		ITEM NO: --	SCALE: NTS
CAT. NO: BA_E_, TP_ (SEE TABLE)		DRAWING NO: SD060605	
DRAWN BY: R.TOM 02/16/66		REV: E	
CHECKER: S.F.P. 09/19/66		SHEET 3 OF 3	
DSN APPVL: W.B. 01/12/67		PROJECT #:	
MFG APPVL: --		SIZE: D	
QA APPVL: --		DOCUMENT TYPE: Sales	
MKT APPVL: --		REL LEVEL: Released	
PROD FAM: CM&R COMPRESSION		REVISION:	



## X-ON Electronics

Largest Supplier of Electrical and Electronic Components

*Click to view similar products for [Terminals](#) category:*

*Click to view products by [FCT Electronics](#) manufacturer:*

Other Similar products are found below :

[HT-13-10](#) [71M-250-32-NB](#) [01-2065-1-0216](#) [00581P0075](#) [M10-10RX](#) [M10BCK](#) [60205-1](#) [604200-1](#) [60598-1-CUT-TAPE](#) [60617-1-C](#) [60873-1](#) [M14-516R/SK](#) [M14-6RSX](#) [M18-10FLX](#) [M18-8FBX](#) [M18-8R/LX](#) [M18BCK](#) [61314-6-C](#) [61-S](#) [61-SN-A](#) [62-NBM-A](#) [63-S](#) [640179-1](#) [640917-2-CUT-TAPE](#) [6501550002](#) [66107-2-C](#) [66107-4-C](#) [696683-1](#) [696834-1](#) [696861-1](#) [696931-1](#) [696999-1](#) [M8-516RK](#) [M86700006](#) [MA250DMFMX-A](#) [701-2007](#) [701-2307](#) [701-7761-03](#) [70F-110-32-PB](#) [718-N-A](#) [71M-187-20-NBL](#) [71M-250-32-NBL](#) [72F-187-20-NBL](#) [72M-250-32-NBL](#) [7310](#) [73F-250-32](#) [73F-250-32-NBL](#) [73F-250-32-NL](#) [F14-10C](#) [F-1M](#)