

**SMALL HYDENT
 TABLE OF CONTENTS**

| | | | |
|---|-------------------|---|-------------|
| General Information | B-2, B-3 | Types TP-Z & BA-EZ | B-33 |
| MIL. SPEC. Equivalent Tables | B-4 | Types TP-LF & BA-EL | B-34 |
| Types T & YAD | B-5 | Type Q-F | B-35 |
| Types TP & BA | B-6 | Type QP-F | B-35 |
| Types TN & YAES | B-7, B-8 | Type QN-F | B-36 |
| Type YAE-G BOX | B-9 | Type QM | B-36 |
| Types YAE-N BOX & YAE-N | B-10 | Type QP-M | B-37 |
| Type YAES-K | B-11, B-12 | Type QN-M | B-37 |
| Types YAV BOX & YAV | B-13, B-14 | Types PGP & PGN | B-38 |
| Types YAV-L BOX & YAV-L | B-15, B-16 | Types FQN-F & FQN-M | B-39 |
| Types YAV-H BOX & YAV-H | B-17 | Type FL | B-40 |
| Type YBM | B-18 | Uninsulated Splices | B-41 |
| Types YAEV & YAEV-L | B-19, B-20 | Types YSV, YSV-H & YSV-L | B-41 |
| Type YAEV-H | B-21, B-22 | Type YSV-L | B-42 |
| Types YAV-R & YAV-RS | B-23 | Type YSM | B-43 |
| Type YAEV-RS | B-24 | Type YSCM | B-44 |
| Type YAEV-RH | B-25 | Types YSES-K | B-45 |
| Types T-F & YAD-F | B-26 | Types SP & BS | B-46 |
| Types YAV-T-F BOX & YAV-T-F | B-27 | Insulated Splices | B-47 |
| Types YAV-H-F BOX, YAV-H-F & YAV-Z | B-28 | Types SN, YSE-HN | B-47 |
| Types TN-F & YAES-F | B-29 | Types SNM, YSE BOX, YSES, YSE-H BOX, YSE & YSE-H | B-48 |
| Types YAE-N-F BOX & YAE-N-F | B-30 | Types YSV & YRV-L | B-49 |
| Types TP-F & BA-EF | B-31 | Types YQE & RK | B-50 |
| Types YAE-Z BOX & YAE-Z | B-32 | | |

Performance

The terminals and splices in this catalog are approved, per MIL-T-7928 and/or UL 486, where indicated. Table 1 shows the performance requirements for terminals used in military and commercial equipment. The voltage drops listed are maximum allowable values taken at currents well above rated current for the wires. Tensile values assure that the wires will not become separated from the terminals under reasonably expected stresses. UL tensile values are chosen to reflect the severest expected duty. MIL Specification tensile values apply only to crimp terminations and reflect minimum values that are obtained in good crimp joints. Actual performance of Burndy terminals exceeds the requirements of Table 1. Typical values are shown in Figs. 1-5. For High Temperature application BURNDY® YAV series with nickel plating "-NK" suffix provide for continuous operation to 650° F and 750° F intermittent service.

Table 1

| PERFORMANCE REQUIREMENTS - TERMINALS FOR COPPER WIRE | | | | | |
|--|---------------------|-------------------------|------------------------------|------------------------------|---|
| WIRE SIZE | PER MIL-T-7928 | | | PER UL 486 | |
| | TEST CURRENT (Amps) | MAX. VOLTAGE DROP (Mv.) | MIN. TENSILE STRENGTH (Lbs.) | MIN. TENSILE STRENGTH (Lbs.) | TEST CURRENT FOR MAX. 50° C RISE (Amps) |
| 26 | 3 | 8 | 7 | — | — |
| 24 | 4.5 | 8 | 10 | — | — |
| 22 | 9 | 7 | 15 | 8 | — |
| 20 | 11 | 6 | 19 | 13 | — |
| 18 | 16 | 5 | 38 | 20 | — |
| 16 | 22 | 7 | 50 | 30 | — |
| 14 | 32 | 6 | 70 | 50 | 15 |
| 12 | 41 | 5 | 110 | 70 | 20 |
| 10 | 55 | 5 | 150 | 80 | 30 |
| 8 | 73 | 5 | 225 | 90 | 50 |
| 6 | 101 | 5 | 300 | 100 | 65 |
| 4 | 135 | 5 | 400 | 140 | 85 |
| 2 | 181 | 5 | 550 | 180 | 115 |
| 1 | 211 | 5 | 650 | 200 | 130 |
| 0 | 245 | 5 | 700 | 250 | 150 |
| 00 | 283 | 5 | 750 | 300 | 175 |
| 000 | 320 | 5 | 825 | 350 | 200 |
| 0000 | 380 | 5 | 875 | 450 | 230 |

Fig 1. Tensile strength of YAD HYLUG™ after axial rotation stresses.

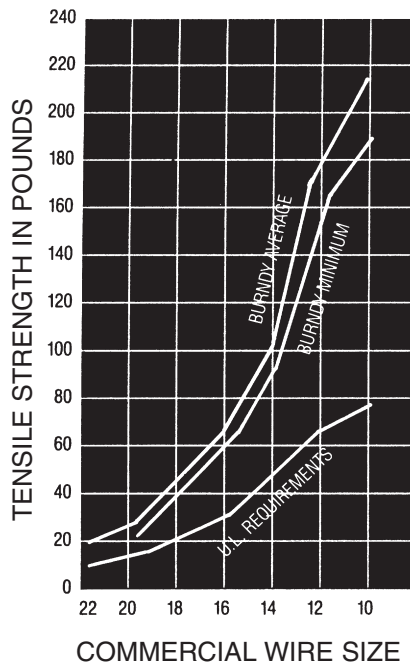
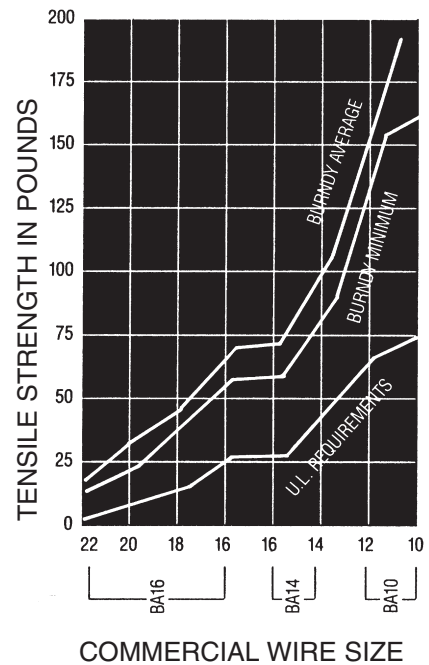


Fig 2. Tensile strength of BA VINYLUG™ after axial rotation stresses.



GENERAL INFORMATION

(Continued)

Fig 3. Tensile strength of YAES INSULUG™ after vibration.

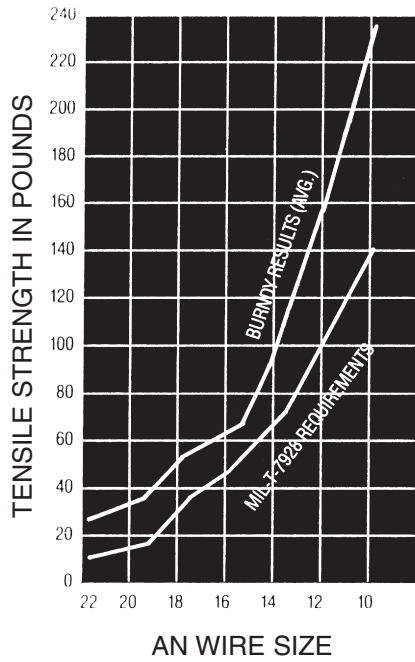


Fig 5. Voltage drops of YAES at currents per Table 1 after vibration.

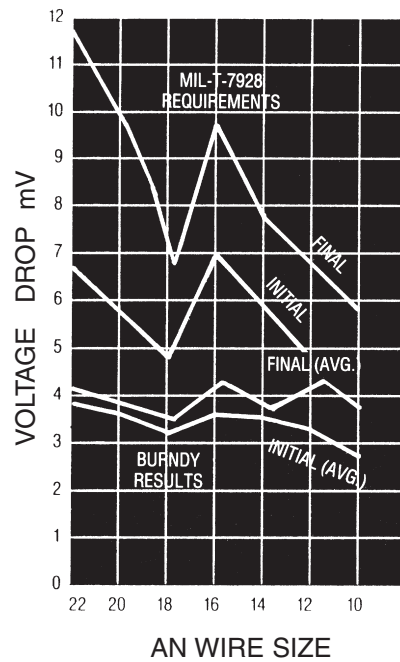
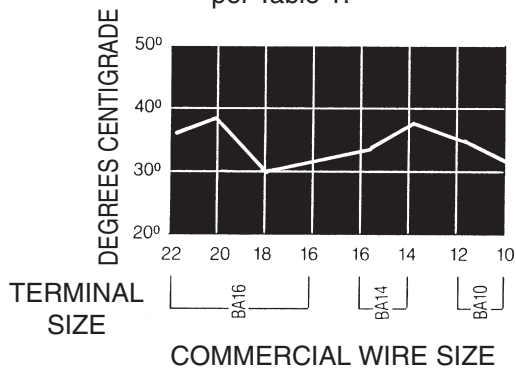


Fig 4. Temperature rise of BA VINYLUG™ at currents per Table 1.



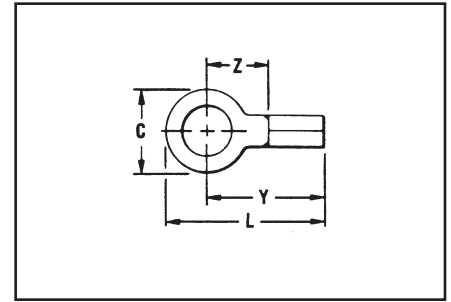
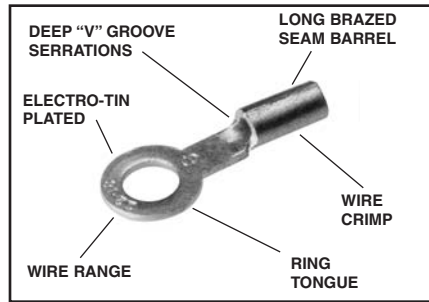
TYPES T AND YAD

HYLUG™

UNINSULATED COMPRESSION TERMINAL, RING TONGUE

The Type T uninsulated terminals are constructed of pure electrolytic copper. Designed with a long brazed seam barrel, standard neck, deep V groove inner serrations and electro-tin plated. The terminals are ideal for control wiring and other standard duty applications.

The ring tongue provides a secure termination under the screw head that cannot be removed without the complete removal of the screw. Two or more terminals can easily be stacked on a common stud.



Features and Benefits

- Constructed of pure electrolytic copper.
 - ◇ Provides maximum conductivity, low resistance and ductility for excellent crimp forming properties.
- Long brazed seam barrel and deep V groove inner serrations.
 - ◇ Provides optimum conductivity reliability and holding power after crimping.
- Electro-tin plated.
 - ◇ Provides durable long-lasting corrosion resistance.
- Wire range is clearly marked on terminal.
 - ◇ Provides easy identification.
- Inspection hole.
 - ◇ Provides an easy visual check of wire insertion.
- Long neck terminal.
 - ◇ Permits easy bending and stacking of several terminals on a common stud.

| CATALOG NUMBER | WIRE RANGE | STUD SIZE | DIMENSIONS | | | | BULK CATALOG NUMBER* | INSTALLATION TOOLING | TAPE MOUNTED CATALOG NO. 2000/Reel | INSTALLATION TOOLING | WIRE STRIP LENGTH |
|----------------|------------|-----------|------------|--------|--------|--------|----------------------|---|------------------------------------|----------------------|-------------------|
| | | | C | L MAX. | Y MAX. | Z MIN. | | | | | |
| T18-4 | 22-18 | 3, 4 | .25 | .65 | .53 | .24 | YAD18-4 | Non-Ratchet: Y10D, Y10-22 Ratchet: MR8G98, Y8MRB-1, MR20 | YAD18-4M | TFM with DFM6D1 Die | 9/32" |
| T18-6 | | 4-6 | .25 | .65 | .53 | .24 | YAD18-6 | | YAD18-6M | | |
| T18-8 | | 6-8 | .31 | .77 | .61 | .33 | YAD18-8 | | YAD18-8M | | |
| T18-10 | | 8-10 | .31 | .77 | .61 | .33 | YAD18-10 | | YAD18-10M | | |
| T18-14 | | 1/4 | .45 | .96 | .73 | .44 | YAD18-14 | | YAD18-14M | | |
| T18-516 | | 5/16 | .45 | .96 | .73 | .44 | YAD18-516 | | YAD18-516M | | |
| T18-38 | | 3/8 | .53 | 1.05 | .78 | .49 | YAD18-38 | | YAD18-38M | | |
| T14-4 | 20-14 | 3, 4 | .25 | .67 | .55 | .26 | YAD14-4 | Non-Ratchet: Y10D, Y10-22 Ratchet: MR8G98, Y8MRB-1, MR20 | YAD14-4M | TFM with DFM5D1 Die | 9/32" |
| T14-6 | | 4-6 | .25 | .67 | .55 | .26 | YAD14-6 | | YAD14-6M | | |
| T14-8 | | 6-8 | .31 | .77 | .61 | .33 | YAD14-8 | | YAD14-8M | | |
| T14-10 | | 8-10 | .31 | .77 | .61 | .33 | YAD14-10 | | YAD14-10M | | |
| T14-14 | | 1/4 | .45 | .96 | .73 | .44 | YAD14-14 | | YAD14-14M | | |
| T14-516 | | 5/16 | .45 | .96 | .73 | .44 | YAD14-516 | | YAD14-516M | | |
| T14-38 | | 3/8 | .53 | 1.05 | .78 | .49 | YAD14-38 | | YAD14-38M | | |
| T10-6 | 12-10* | 4-6 | .37 | .83 | .64 | .29 | YAD10-6 | Non-Ratchet: Y10D, Y10-22 Ratchet: MR8G98, Y8MRB-1, MR20 | •YAD10-6M | TFM with DFM4D1 Die | 11/32" |
| T10-8 | | 6-8 | .37 | .83 | .64 | .29 | YAD10-8 | | •YAD10-8M | | |
| T10-10 | | 8-10 | .37 | .83 | .64 | .29 | YAD10-10 | | •YAD10-10M | | |
| T10-14 | | 1/4 | .46 | .97 | .74 | .39 | YAD10-14 | | *YAD10-14M | | |
| T10-516 | | 5/16 | .53 | 1.02 | .76 | .41 | YAD10-516 | | *YAD10-516M | | |
| T10-38 | | 3/8 | .58 | 1.08 | .79 | .44 | YAD10-38 | | *YAD10-38M | | |

* NOTE: UL Listed for 14-10 when installed with MR8G98 and Y8MRB-1 tools only.
• 1000 pcs/reel.

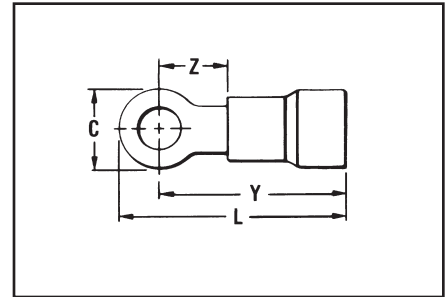
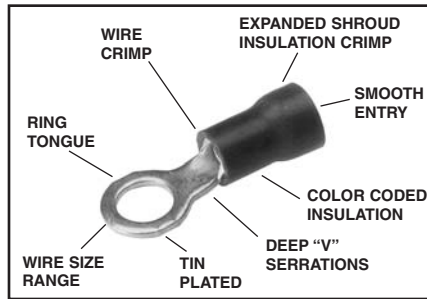
BURNDY® Products FCI

Compression

TYPES TP AND BA

VINYLUG™

TERMINAL -
POLYVINYLCHLORIDE
INSULATED, RING TONGUE
600 VOLTS MAX. 105° C MAX.



Features and Benefits

- Expanded insulation support accepts standard and large wire diameters.
 - ◇ Lowers inventory requirements, permits greater flexibility and provides insulation support.
- Funnel entry.
 - ◇ Easy wire insertion.
- Manufactured of pure electrolytic copper.
 - ◇ Provides maximum conductivity, low resistance and ductility for excellent crimp forming properties.
- Deep V groove serrations in the inner barrel.
 - ◇ Provides added holding strength and better conductivity.
- Electro-tin plated.
 - ◇ Provides durable long-lasting corrosion resistance.



| CATALOG NUMBER | WIRE RANGE | STUD SIZE | DIMENSIONS | | | | BULK CATALOG NUMBER* | INSTALLATION TOOLING | TAPE MOUNTED CATALOG NO. 2000/Reel | INSTALLATION TOOLING | WIRE STRIP LENGTH | |
|----------------|--|-----------|------------|------|------|---------|----------------------|---|------------------------------------|-------------------------------|-------------------|----------|
| | | | C | L | Y | Z | | | | | | |
| TP16-4 | 22-16 Max. Insul. Dia. Accom.: .145 Color Code: Red | 3-4 | .22 | .71 | .61 | .17 | BA16E4 | Plier Type: Y10-22, Y10D or Ratchet Tool: MR8-89-1, NR8-G96, MR15 | BA16E4M | TFM with DFM3D-1 Die | 13/64" | |
| TP16-6 | | 4-6 | .25 | .74 | .62 | .18 | BA16E6 | | | | | BA16E6M |
| TP16-8 | | 6-8 | .31 | .85 | .70 | .26 | BA16E8 | | | | | BA16E8M |
| TP16-10 | | 8-10 | .31 | .85 | .70 | .26 | BA16E10 | | | | | BA16E10M |
| TP16-14 | | 12, 1/4 | .40 | .99 | .79 | .36 | BA16E14 | | | | | BA16E14M |
| TP16-38 | | 3/8 | .53 | 1.15 | .88 | .45 | BA16E38 | | | | | BA16E38M |
| TP14-4 | 16-14 Max. Insul. Dia. Accom.: .180 Color Code: Blue | 3-4 | .22 | .71 | .61 | .17 | BA14E4 | | BA14E4M | TFM with DFM2D-1 Die | 13/64" | |
| TP14-6 | | 4-6 | .25 | .74 | .62 | .18 | BA14E6 | | BA14E6M | | | |
| TP14-8 | | 6-8 | .31 | .85 | .70 | .26 | BA14E8 | | BA14E8M | | | |
| TP14-10 | | 8-10 | .31 | .85 | .70 | .26 | BA14E10 | | BA14E10M | | | |
| TP14-14 | | 12, 1/4 | .40 | .99 | .79 | .36 | BA14E14 | | BA14E14M | | | |
| TP14-516 | | 5/16 | .53 | 1.15 | .88 | .45 | BA14E516 | | BA14E516M | | | |
| TP14-38 | 3/8 | .53 | 1.15 | .88 | .45 | BA14E38 | BA14E38M | | | | | |
| TP10-6 | 12-10 Max. Insul. Dia. Accom.: .260 Color Code: Yellow | 4-6 | .31 | .91 | .75 | .20 | BA10E6 | *BA10E6M | TFM with DFM1D5 Die | 19/64" | | |
| TP10-8 | | 6-8 | .36 | 1.00 | .81 | .26 | BA10E8 | *BA10E8M | | | | |
| TP10-10 | | 8-10 | .36 | 1.00 | .81 | .26 | BA10E10 | *BA10E10M | | | | |
| TP10-14 | | 12, 1/4 | .53 | 1.22 | .95 | .40 | BA10E14 | *BA10E14M | | | | |
| TP10-38 | | 3/8 | .53 | 1.27 | 1.00 | .45 | BA10E38 | *BA10E38M | | | | |

* 1000/Reel

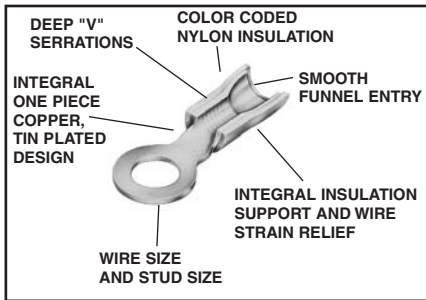
TYPES TN AND YAES

INSULUG™

TERMINAL -
NYLON INSULATED,
RING-TONGUE

300 VOLTS MAX. 105°C MAX.

INSULUG™ type TN Nylon-insulated terminals are designed for heavy duty industrial, utility and military power and control-circuit applications for wire sizes 26 AWG through 10 AWG. They offer high dielectric strength and stability in oily conditions and meet military CLASS 1 and CLASS 2 requirements per MS25036 and the requirements of military specifications MIL-T-7928 (ASG).



Features and Benefits

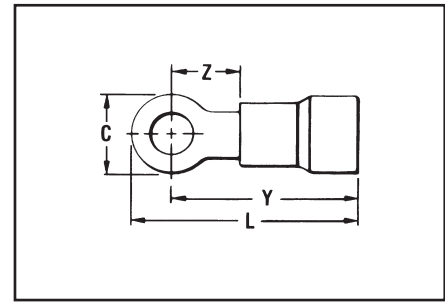
- An integral one-piece copper barrel /insulation grip and wire strain relief design.
 - ◇ Provides improved physical strength characteristics over a multi-piece design.
- Manufactured of pure electrolytic copper.
 - ◇ Provides maximum conductivity, low resistance and ductility for excellent crimp forming properties.
- Brazed seam.
 - ◇ Provides a stronger barrel design to minimize any possible splitting and eliminates folding.
- Deep inner barrel serrations.
 - ◇ Provides excellent electrical conductivity and pullout strength values.
- Smooth funnel entry.
 - ◇ Easy wire insertion.
- The insulation is locked in place.
 - ◇ Will not twist off, thereby maintains proper dielectric values.
- Electro-tin plated.
 - ◇ Provides durable long-lasting resistance to corrosion.
- Color-coded and clearly marked.
 - ◇ Provides quick, easy wire size identification.
- Ring Tongue.
 - ◇ Provides a secure termination under the screw head that can not be removed without complete removal of the screw.
- Two or more terminals may be stacked on a common stud easily.
 - ◇ Provides flexibility and versatility.

BURNDY® Products FCI

Compression

TYPES TN AND YAES

(Continued)



B-8

| CATALOG NUMBER | WIRE RANGE | STUD SIZE | MIL. STD. MS25036- | DIMENSIONS | | | | BULK CAT. NO. | INSTALLATION TOOLING | WIRE STRIP LENGTH |
|----------------|--|-----------|--------------------|------------|--------|--------|-----------|---------------|--------------------------------|-------------------|
| | | | | C | L MAX. | Y MAX. | Z MAX. | | | |
| TN18-4 | 22-18 Max. Insul. Dia. Accom.: .120 Color Code: Red | 3-4 | -148 | .23 | .76 | .64 | .20 | YAES18N48 | Non-Ratchet: Y10D, Y1022 | 7/32" |
| TN18-6 | | 4-6 | -102 | .25 | .87 | .74 | .29 | YAES18N1 | | |
| TN18-8 | | 6-8 | -149 | .31 | .91 | .76 | .29 | YAES18N49 | | |
| TN18-10 | | 8-10 | -103 | .31 | .91 | .76 | .29 | YAES18N3 | | |
| TN18-14 | | 12, 1/4 | -150 | .46 | 1.09 | .87 | .41 | YAES18N50 | | |
| TN18-516 | | 5/16 | -104 | .46 | 1.09 | .87 | .41 | YAES18N4 | | |
| TN18-38 | 16-14 Max. Insul. Dia. Accom.: .153 Color Code: Blue | 3/8 | -105 | .53 | 1.17 | .91 | .45 | YAES18N5 | Ratchet: MR8-83 | 7/32" |
| TN14-4 | | 3-4 | -152 | .25 | .79 | .67 | .24 | YAE14N52 | | |
| TN14-6 | | 4-6 | -106 | .25 | .79 | .67 | .24 | YAES14N6 | | |
| TN14-8 | | 6-8 | -153 | .31 | .89 | .74 | .31 | YAES14N53 | | |
| TN14-10 | | 8-10 | -108 | .31 | .89 | .74 | .31 | YAES14N8 | | |
| TN14-14 | | 12, 1/4 | -154 | .45 | 1.08 | .86 | .43 | YAES14N54 | | |
| TN14-516 | | 5/16 | -109 | .45 | 1.08 | .86 | .43 | YAES14N9 | | |
| TN14-38 | | 3/8 | -110 | .53 | 1.16 | .90 | .47 | YAES14N10 | | |
| TN10-6 | | 4-6 | -111 | .37 | 1.12 | .94 | .26 | YAES10N11 | | |
| TN10-8 | | 6-8 | -156 | .37 | 1.12 | .94 | .26 | YAES10N56 | | |
| TN10-10 | | 8-10 | -112 | .37 | 1.12 | .94 | .26 | YAES10N12 | | |
| TN10-14 | | 12, 1/4 | -157 | .53 | 1.32 | 1.06 | .37 | YAES10N57 | | |
| TN10-516 | 5/16 | -113 | .53 | 1.32 | 1.06 | .37 | YAES10N13 | | | |
| TN10-38 | 3/8 | -114 | .58 | 1.34 | 1.05 | .40 | YAES10N14 | 11/32" | | |

▲ Class 1 and class 2. Meets the requirement of military specification MIL-T-7928 (ASG)

* Use on #10 or #12 Str. Cu only.

** Meets requirements for Class 2 installation. For use as a Class 1 connector, use tool conforming to MS25037, Class 1.

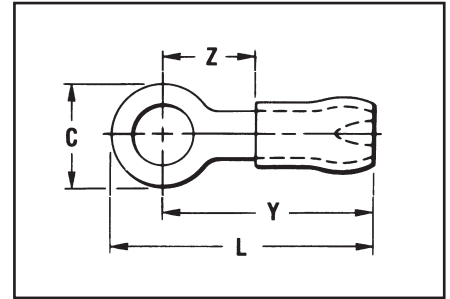
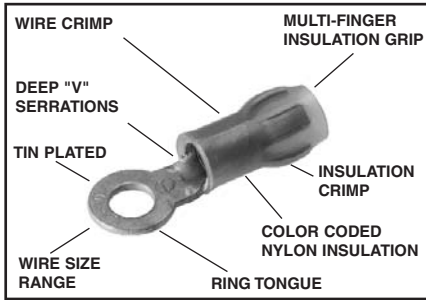
TYPE YAE-G BOX

INSULUG™

TERMINAL -
 NYLON INSULATED,
 RING-TONGUE
 MULTI-FINGER
 INSULATION GRIP

300 VOLTS MAX. 105° C MAX.

INSULUG™ Type YAE-N nylon insulated terminals are designed with a multi-finger insulation grip for paper, EPR and other elastic or hard to grip insulations. The metal fingers firmly grip the insulation providing superior holding characteristics, cable support and strain relief. Type YAE-N terminals are rated 105°C and meet military standard MS25036 class 2 and MIL-T-7928 (ASG) requirements.



B-9

Features and Benefits

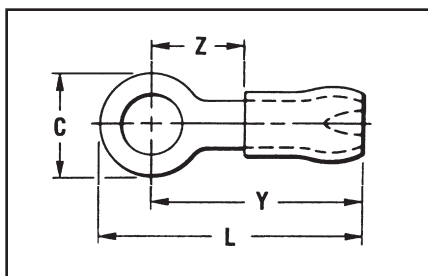
- Multi-finger insulation grip.
 - ◇ Provides superior insulation holding characteristics, especially on EPR and other elastic-type insulations.
- Brazed seam.
 - ◇ Provides stronger more durable termination.
- Manufactured of pure electrolytic copper.
 - ◇ Provides maximum conductivity, low resistance and ductility for excellent crimp forming properties.
- Deep V groove, inner barrel serrations.
 - ◇ Provide optimum conductivity, reliability, and holding power.
- Smooth funnel entry.
 - ◇ Easy wire insertion.



| CATALOG NUMBER | WIRE RANGE | STUD SIZE | MIL. STD.** | DIMENSIONS | | | | BULK CATALOG NUMBER* | INSTALLATION TOOLING | TAPE MOUNTED CATALOG NO. 2000/Reel | INSTALLATION TOOLING | WIRE STRIP LENGTH |
|----------------|--------------|-----------|-------------|------------|--------|--------|--------|----------------------|------------------------------------|------------------------------------|-------------------------------|-------------------|
| | | | | C | L MAX. | Y MAX. | Z MAX. | | | | | |
| YAE22G18 BOX• | 26-20 | 1.2 | -148 | .15 | .70 | .62 | .22 | YAE22G18• | M8ND with N14HET-25V1 Die | YAE22G18M• | TFM with DFM11D1 Die | 5/32" |
| YAE22G12 BOX• | Max. Insul. | 1.2 | - | .25 | .75 | .62 | .22 | YAE22G12• | | YAE22G12M• | | |
| YAE22G16 BOX• | Dia. Accom.: | 3.4 | -144 | .18 | .75 | .62 | .22 | YAE22G16• | | YAE22G16M• | | |
| YAE22G13 BOX• | .098 | 4-6 | -145 | .25 | .75 | .62 | .22 | YAE22G13• | | YAE22G13M• | | |
| YAE22G14 BOX• | Color Code: | 6-8 | -146 | .32 | .83 | .67 | .27 | YAE22G14• | | YAE22G14M• | | |
| YAE22G15 BOX• | Amber | 8-10 | -147 | .32 | .83 | .67 | .27 | YAE22G15• | | YAE22G15M• | | |

• Not UL recognized
 * 1000/Reel
 ** Class 2

TYPES YAE-N BOX AND YAE (Continued)



INSULUG™

B-10

| CATALOG NUMBER | WIRE RANGE | STUD SIZE | MIL STD.** MS25036 | DIMENSIONS | | | | BULK CATALOG NUMBER | INSTALLATION TOOLING | TAPE MOUNTED CATALOG NO. 2000/REEL | INSTALLATION TOOLING | WIRE STRIP LENGTH |
|----------------|---|-----------|--------------------|------------|--------|--------|---------|---------------------|---|------------------------------------|-------------------------------|-------------------|
| | | | | C | L MAX. | Y MAX. | Z MIN. | | | | | |
| YAE18N29 BOX | 22-16 † Max. Insul. Dia. Accom.: .125 Color Code: Red | 1-2 | — | .14 | .75 | .68 | .19 | YAE18N29 | MR8-33T-1 (no extra dies required) M8ND with one of following dies: N14HET-25V1 N10ET-9 N14HET-15 or Y10D Y10-22 | YAE18N29M | TFM with DFM10D1 die | 3/16" |
| YAE18N27 BOX | | 2 | — | .19 | .77 | .66 | .19 | YAE18N27 | | YAE18N27M | | |
| YAE18N7 BOX | | 4 | — | .25 | .80 | .68 | .19 | YAE18-N7 | | YAE18-N7M | | |
| YAE18N17 BOX | | 4 | -148 | .25 | .80 | .68 | .19 | YAE18N17 | | YAE18N17M | | |
| YAE18N26 BOX | | 4 | — | .23 | .78 | .68 | .19 | YAE18N26 | | YAE18N26M | | |
| YAE18N21 BOX | | 4-6 | -102 | .25 | .89 | .77 | .28 | YAE18N21 | | YAE18N21M | | |
| YAE18N25 BOX | | 4-6 | — | .22 | .79 | .68 | .19 | YAE18N25 | | YAE18N25M | | |
| YAE18G43 BOX | | 4-6 | — | .25 | .90 | .68 | .19 | YAE18G43 | | YAE18G43M | | |
| YAE18N24 BOX | | 6-8 | — | .28 | .92 | .77 | .28 | YAE18N24 | | YAE18N24M | | |
| YAE18N1 BOX | | 6-8 | -149 | .31 | .92 | .77 | .28 | YAE18N1 | | YAE18N1M | | |
| YAE18N BOX | 8-10 | -103 | .31 | .92 | .77 | .28 | YAE18N | YAE18NM | | | | |
| YAE18N2 BOX | 12, 1/4 | -150 | .45 | 1.11 | .88 | .40 | YAE18N2 | YAE18N2M | TFM with DFM9D1 die | 3/16" | | |
| YAE18N3 BOX | 5/16 | -104 | .45 | 1.11 | .88 | .40 | YAE18N3 | YAE18N3M | | | | |
| YAE14N43 BOX | 16-14 | 4-6 | -106 | .25 | .82 | .69 | .20 | YAE14N43 | | | YAE14N43M | |
| YAE14N1 BOX | 6-8 | -153 | .31 | .92 | .75 | .28 | YAE14N1 | YAE14N1M | | | | |
| YAE14N BOX | 8-10 | -108 | .31 | .92 | .75 | .28 | YAE14N | YAE14NM | | | | |
| YAE14N2 BOX | 1/4 | -154 | .45 | 1.11 | .88 | .40 | YAE14N2 | YAE14N2M | | | | |
| YAE14N3 BOX | 5/16 | -109 | .45 | 1.11 | .88 | .40 | YAE14N3 | YAE14N3M | | | | |
| YAE14N4 BOX | 3/8 | -110 | .53 | 1.19 | .93 | .44 | YAE14N4 | YAE14N4M | | | | |
| YAE12N7 BOX | 14-12 | 10 | — | .31 | 1.06 | .93 | .29 | YAE12N7 | | | YAE12N7M | |
| YAE12N9 BOX | 6-8 | — | .31 | 1.06 | .90 | .28 | YAE12N9 | YAE12N9M | | | | |
| YAE12N1 BOX | 6-8 | — | .31 | 1.06 | .90 | .28 | YAE12N1 | YAE12N1M | | | | |
| YAE12N BOX | 8-10 | — | .31 | 1.06 | .90 | .28 | YAE12N | YAE12NM | | | | |
| YAE12N2 BOX | 1/4 | — | .46 | 1.25 | 1.02 | .40 | YAE12N2 | YAE12N2M | | | | |
| YAE10N5 BOX | 12-10 Max. Insul. Dia. Accom.: .209 Color Code: Yellow | 4-6 | -111 | .38 | 1.15 | .96 | .28 | YAE10N5 | * YAE10N5M | TFM with DFM7D1 die | 3/8" | |
| YAE10N11 BOX | | 6-8 | -156 | .38 | 1.17 | .98 | .30 | YAE10N11 | * YAE10N11M | | | |
| YAE10N BOX | | 8-10 | -112 | .38 | 1.15 | .96 | .28 | YAE10N | * YAE10NM | | | |
| YAE10N3 BOX | | 1/4 | -157 | .54 | 1.39 | 1.12 | .44 | YAE10N3 | * YAE10N3M | | | |
| YAE10N2 | | 5/16 | -113 | .54 | 1.39 | 1.12 | .44 | YAE10N2 | * YAE10N2M | | | |
| YAE10N4 | | 3/8 | -114 | .54 | 1.39 | 1.12 | .44 | YAE10N4 | * YAE10N4M | | | |

* 1000/Reel

** Class 2

† Use Y10D or Y10-22 only when crimping #16 AWG.

TYPE YAES-K

INSULUG™

NUCLEAR TERMINALS AND SPLICES

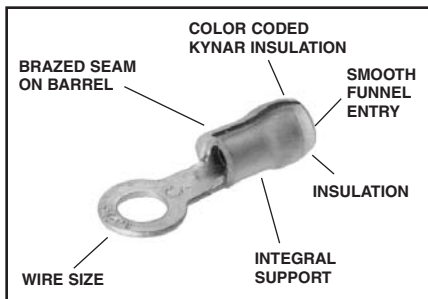
RADIATION RESISTANT
INSULATED TERMINALS,
RING TONGUE

POLYVINYLIDENE (PVF₂)
INSULATED

200 MEGARADS, -60°
THROUGH 150° C, 600 VOLTS

The type YAES-K, radiation resistant KYNAR® insulated terminals are designed and have been tested to meet the requirements for class 1E critical circuits as set by the Nuclear Regulatory Commission (NRC). Additional testing for compatibility under loss of coolant accident (LOCA) conditions with cross-link polyethylene (XLP) and HYPALON® insulations was completed successfully. Compatibility with ethylene propylene rubber (EPR) insulation was determined by analysis. Each terminal is manufactured of pure electrolytic copper per QQ-C 576 and bright tin-plated per MIL-T-10727 and meets or exceeds MIL-T-7928 using stranded copper AWG wire. The KYNAR® insulation offers 200 megarad radiation resistance.

The Type YAES-K radiation resistant KYNAR® - insulated terminals are suitable for class 1E critical circuits and non-critical nuclear associated applications.



Features and Benefits

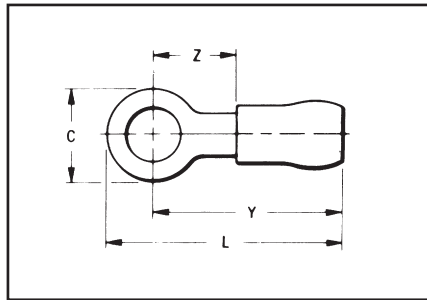
- KYNAR® insulation.
 - ◇ Provides 200 megarad radiation resistance plus successfully tested for insulation compatibility.
- An integral one-piece copper barrel/insulation grip and wire strain relief design.
 - ◇ Provides improved physical strength characteristics over a multi-piece design.
- The KYNAR® insulation is locked in place.
 - ◇ The insulation will not move or twist off, thereby maintains proper dielectric values.
- Manufactured from pure electrolytic copper.
 - ◇ Provides maximum conductivity, low resistance and ductility for excellent crimp forming properties.
- Bright tin-plated per MIL-T-10727.
 - ◇ Provides durable long-lasting resistance to corrosion.
- Deep inner barrel serrations.
 - ◇ Provides excellent electrical conductivity and tensile strength values.
- Brazed seam.
 - ◇ Provides a stronger barrel design to minimize any possible splitting and eliminates folding.
- Smooth funnel entry.
 - ◇ Easy wire insertion.
- Color coded terminals.
 - ◇ Provides easy wire size identification and inspection.
- Coded raised dots in the die area of the connection after compression.
 - ◇ Provides visual identification that the correct tool and die were used for proper installation.
- Inspection hole.
 - ◇ Permits visual check for proper wire insertion.
- Ring tongue design.
 - ◇ Provides a secure termination under screw head that cannot be removed without the complete removal of the screw.
- Multiple terminals may be stacked on a common stud easily.
 - ◇ Provides flexibility and versatility.

KYNAR - is a registered trademark of the Pennwalt Corp. for Polyvinylidene Fluoride (PVF₂)

HYPALON - Is a registered trademark of the E.I. DuPont deNemours & Co., Inc.

TYPE YAES-K (Continued)

INSULUG™



B-12

| CATALOG NUMBER | WIRE RANGE | STUD SIZE | DIMENSIONS | | | | INSTALLATION TOOLING | WIRE STRIP LENGTH | | | |
|----------------|---|---|------------|--------|--------|--------|---|---|------|---|-------|
| | | | C | L MAX. | Y MAX. | Z MIN. | | | | | |
| YAES18K48 | 22-18 AWG str. Max. Insul. Dia. Accom.: .120 Color Code: Red | 4 | .23 | .76 | .64 | .20 | Ratchet Tool: MR10G6 Crimp Mark: (1) Small Dot Red Groove Calibration Gauge: PG-373-1 | 7/32" | | | |
| YAES18K-1 | | 6 | .23 | .76 | .64 | .20 | | | | | |
| YAES18K-2 | | 6 | .25 | .87 | .74 | .29 | | | | | |
| YAES18K-49 | | 8 | .31 | .91 | .76 | .29 | | | | | |
| YAES18K-3 | | 10 | .31 | .91 | .76 | .29 | | | | | |
| YAES18K-50 | | 1/4 | .46 | 1.09 | .86 | .41 | | | | | |
| YAES18K-4 | | 5/16 | .46 | 1.09 | .86 | .41 | | | | | |
| YAES18K-5 | | 3/8 | .53 | 1.18 | .91 | .45 | | | | | |
| YAES14K-52 | | 16-14 AWG str. Max. Insul. Dia. Accom.: .153 Stock Thickness: .032 Color Code: Blue | 4 | .25 | .77 | .65 | | | .22 | Ratchet Tool: MR10G6 Crimp Mark: (2) Small Dots Blue Groove Calibration Gauge: PG-371-1 | 7/32" |
| YAES14K-6 | | | 6 | .25 | .77 | .65 | | | .22 | | |
| YAES14K-7 | 6 | | .31 | .91 | .76 | .29 | | | | | |
| YAES14K-53 | 8 | | .31 | .91 | .76 | .29 | | | | | |
| YAES14K-8 | 10 | | .31 | .91 | .76 | .29 | | | | | |
| YAES14K-54 | 1/4 | | .46 | 1.09 | .86 | .41 | | | | | |
| YAES14K-9 | 5/16 | | .46 | 1.09 | .86 | .41 | | | | | |
| YAES14K-10 | 3/8 | | .53 | 1.18 | .91 | .45 | | | | | |
| YAES10K-11 | 12-10 AWG str. Max. Insul. Dia. Accom.: .210 Stock Thickness: .040 Color Code: Yellow | | 6 | .38 | 1.12 | .94 | .26 | Ratchet Tool: MR10G6 Crimp Mark: (1) Large Dot Calibration Gauge: PG-372-1 | 3/8" | | |
| YAES10K-11T1 | | | 6 | .31 | 1.09 | .94 | .26 | | | | |
| YAES10K-56 | | 8 | .38 | 1.12 | .94 | .26 | | | | | |
| YAES10K-12 | | 10 | .38 | 1.12 | .94 | .26 | | | | | |
| YAES10K-57 | | 1/4 | .53 | 1.32 | 1.06 | .37 | | | | | |
| YAES10K-13 | | 5/16 | .53 | 1.32 | 1.06 | .37 | | | | | |
| YAES10K-14 | | 3/8 | .58 | 1.34 | 1.05 | .40 | | | | | |
| YAES10K-58 | | 1/2 | .72 | 1.41 | 1.06 | .45 | | | | | |

TYPES YAV BOX AND YAV

HYLUG™

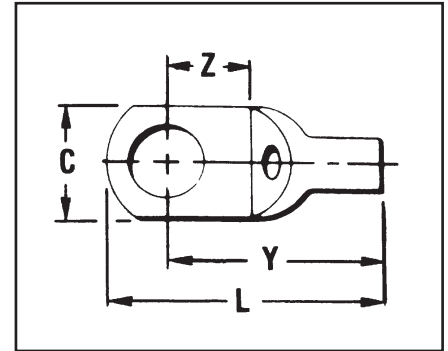
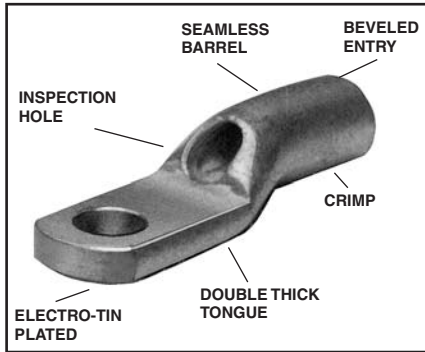
SEAMLESS UNINSULATED COMPRESSION HEAVY DUTY RING TONGUE TERMINAL

#22-10 STRANDED AND SOLID COPPER

HYLUG™ type YAV is a seamless, heavy duty uninsulated compression ring tongue terminal manufactured from pure electrolytic copper tubing and is for use on copper commercial (code) cable, type AN aircraft cable and extra flexible conductors. Because of its seamless design, the YAV HYLUG™ also accommodates solid conductors.

The seamless tubing produces a double thick tongue and a strong connector for demanding applications that require high reliability. Applications include industrials, hospitals, electric utilities, aircraft, shipboard and marine, computers, steel mills, mining equipment and other equipment that is subject to vibration or requiring dependable electrical performance.

The YAV-HYLUG™ terminals meet the requirements of MIL-T-7928 (ASG).



(See table on following page for specifications)

Features and Benefits

- Manufactured from seamless pure electrolytic copper tubing.
 - ◇ Provides maximum conductivity, low resistance and excellent ductility for crimping.
- Seamless tubular crimp barrel design.
 - ◇ No seams to split resulting in a very high quality electrical connection. Also can be used on solid conductor.
- Double thick tongue.
 - ◇ Provides a very strong terminal tongue.
- Produced from tubular copper.
 - ◇ Extra copper material assures the compression connector will operate cooler than the conductors it connects.
- Internally bevelled barrel.
 - ◇ Provides easy cable entry, especially for flexible conductors.
- Inspection hole.
 - ◇ Provides easy visual check for proper conductor insertion.
- Electro-tin plated.
 - ◇ Provides long lasting durable corrosion resistance.
- Nickel plating available, add "NK" suffix."
 - ◇ Nickel plated Hylugs™ provide high temperature applications up to 650° F continuous service and 750° F intermittent service.

BURNDY® Products FCI

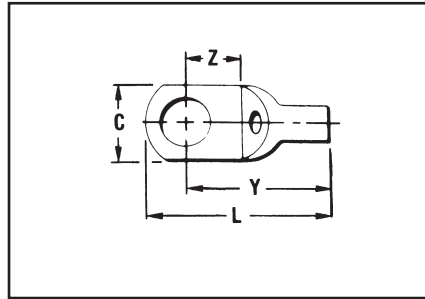
Compression

TYPES YAV BOX AND YAV

HYLUG™

B-14

SEAMLESS UNINSULATED
COMPRESSION HEAVY DUTY
RING TONGUE TERMINAL



| CATALOG NUMBER | WIRE RANGE | STUD SIZE | DIMENSIONS | | | | BULK CAT. NO. | INSTALLATION TOOLING | WIRE STRIP LENGTH |
|----------------|------------------------------|-----------|------------|--------|--------|--------|---------------|---|-------------------|
| | | | C | L MAX. | Y MAX. | Z MIN. | | | |
| YAV18-T4 BOX | 22-18 Str. and Sol. | 3, 4 | .19 | .62 | .54 | .16 | YAV18-T4 | Non-Ratchet: Y10D, Y10-22 Ratchet: MR8G98, MR8-9Q, Y8MRB-1, MR20 | 9/32" |
| YAV18-L33 BOX | | 4-6 | .25 | .67 | .55 | .18 | YAV18-L33 | | |
| YAV18-T5 BOX | | 4-6 | .31 | .76 | .61 | .24 | YAV18-T5 | | |
| YAV18-T1 BOX | | 6-8 | .31 | .76 | .61 | .24 | YAV18-T1 | | |
| YAV18 BOX | | 8-10 | .31 | .76 | .61 | .24 | YAV18 | | |
| YAV14-L33 BOX | 20-14 Str. | 4-6 | .25 | .71 | .59 | .18 | YAV14-L33 | Non-Ratchet: Y10D, Y10-22 Ratchet: MR8G98, MR8-9Q, Y8MRB-1, MR20 | 9/32" |
| YAV14-T5 BOX | | 4-6 | .31 | .79 | .64 | .24 | YAV14-T5 | | |
| YAV14-T1 BOX | | 6-8 | .31 | .79 | .64 | .24 | YAV14-T1 | | |
| YAV14-L36 BOX | 20-12 Sol. | 8-10 | .29 | .74 | .59 | .18 | YAV14-L36 | Non-Ratchet: Y10D, Y10-22 Ratchet: MR8G98, MR8-9Q, Y8MRB-1, MR20 | 9/32" |
| YAV14 BOX | | 8-10 | .31 | .79 | .64 | .24 | YAV14 | | |
| YAV14-T2 BOX | | 1/4 | .42 | .99 | .75 | .32 | YAV14-T2 | | |
| YAV14-T3 BOX | 14-12 Str. | 5/16 | .44 | .99 | .75 | .32 | YAV14-T3 | Y10D, Y8MRB-1 M8ND w/N14HT | 9/32" |
| YAV12-G2 BOX ■ | | 8-10 | .30 | .82 | .67 | .24 | YAV12-G2 | | |
| YAV12-G3 BOX ■ | | 1/4 | .36 | 1.00 | .76 | .34 | YAV12-G3 | | |
| YAV10-T7 BOX | †14 Str. 12-10 Str. and Sol. | 4-6 | .30 | .93 | .78 | .24 | YAV10-T7 | Non-Ratchet: Y10, Y10-22 Ratchet: MR8G98, MR8-9Q, Y8MRB-1, MR20 | 7/16" |
| YAV10-T11 BOX | | 6-8 | .38 | .97 | .79 | .26 | YAV10-T11 | | |
| YAV10-L36 BOX | | 8-10 | .29 | .86 | .71 | .23 | YAV10-L36 | | |
| YAV10 BOX | | 8-10 | .38 | .97 | .79 | .26 | YAV10 | | |
| YAV10-T3 BOX | | 1/4 | .47 | 1.10 | .87 | .32 | YAV10-T3 | | |
| YAV10-T2 BOX | | 5/16 | .53 | 1.13 | .87 | .31 | YAV10-T2 | | |
| YAV10-T4 BOX | | 3/8 | .56 | 1.18 | .90 | .35 | YAV10-T4 | | |
| YAV9C-L36 BOX | 10-9 Str. | 8-10 | .31 | .97 | .83 | .15 | YAV9C-L36 | Ratchet: MR8-9Q, Y8MRB-1 | 7/16" |
| YAV9C-T9 BOX | | 1/4 | .44 | 1.19 | .95 | .31 | YAV9C-T9 | | |
| YAV9C-T4 BOX | | 5/16 | .52 | 1.27 | 1.02 | .36 | — | | |

- Available in (90°) right angle design.
- * Use #10 groove
- Use #14 groove
- † UL listed for 14 Str. to #10 Sol. & Str. when installed with MR8G98 and Y8MRB-1 tools only.

BURNDY® Products FCI

Compression

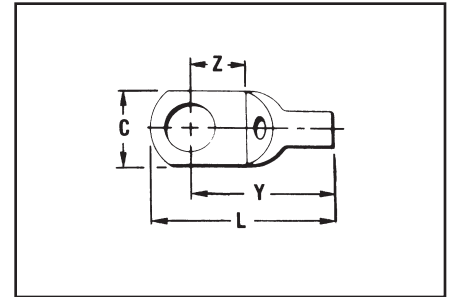
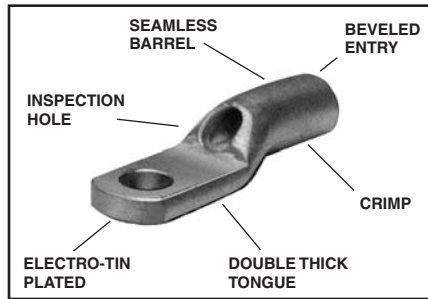
TYPES YAV-L BOX AND YAV-L

HYLUG™

LARGE SIZE UNINSULATED COMPRESSION TERMINALS
SEAMLESS UNINSULATED COMPRESSION RING
TONGUE TERMINAL

#8-4/0 STR. COPPER

HYLUG™ Type YAV is a seamless, heavy duty uninsulated compression terminal manufactured from electrolytic copper and is for use on Type AN aircraft cable, extra flexible conductors and commercial (code) conductors. The seamless tubing produces a double thick tongue and seamless barrel design provides a



B-15

strong connector for demanding applications requiring high reliability.

Applications include aircraft, industrials, hospitals, electric utilities, marine, computers, and other equipment subject to vibration or requiring dependable electrical performance.

The YAV HYLUG™ terminals meet the requirements of MIL-T-7928 and are listed per MS20659 for use with copper aircraft cable per MIL-W-5086

The benefits of YAV-L connectors are the same as YAV connectors for stranded conductors.

| CATALOG NUMBER | WIRE RANGE | STUD SIZE | MS20659 DASH NO.† | DIMENSIONS (INCH) | | | | BULK CAT. NO. | INSTALLATION TOOLING | | | | WIRE STRIP LENGTH |
|----------------|---------------------------------|-----------|-------------------|-------------------|--------|--------|-----------|---------------|---|-----------|--|---|-------------------|
| | | | | C | L MAX. | Y MAX. | Z MIN. | | HYTOOL | DIE INDEX | HYPRESS | | |
| | | | | | | | | | | | Y29B, Y29NC | Y35, Y39, Y750 ▲ | |
| — | 8 Aircraft | 6-8 | -140 | .41 | 1.15 | .94 | .28 | YAV8C-L14• | Non-Ratchet: Y10MV, MY29-11 Ratchet: MR4C, MR8-9Q, Y8MR8-1, M8ND w/ N8CT Die Set | 38 | DC8L-1 Nest Y29PL Indentor (1) Crimp | UV8L Nest Y34PL Indentor (1) Crimp | 1/2" |
| YAV8C-L BOX | | 8-10 | -107 | .41 | 1.15 | .94 | .28 | YAV8C-L• | | | | | |
| YAV8C-L1 BOX | | 1/4 | -141 | .46 | 1.22 | .99 | .32 | YAV8C-L1• | | | | | |
| YAV8C-L2 BOX | | 5/16 | -108 | .57 | 1.30 | 1.01 | .34 | YAV8C-L2 | | | | | |
| YAV8C-L3 BOX | | 3/8 | -129 | .57 | 1.30 | 1.01 | .34 | YAV8C-L3• | | | | | |
| YAV8C-L4 BOX | 1/2 | -142 | .73 | 1.52 | 1.14 | .48 | YAV8C-L4• | | | | | | |
| YAV6C-L1 BOX | 5 & 6 Aircraft AN 5 & 6 Flex | 8-10 | -130 | .48 | 1.31 | 1.06 | .29 | YAV6C-L1• | Non-Ratchet: MY28, MY29-11 Ratchet: MR4C | 39 | DC6L Nest Y29PL Indentor (1) Crimp | UV6L Nest Y34PLA Indentor (1) Crimp | 1/2" |
| YAV6C-L BOX | | 1/4 | -109 | .48 | 1.31 | 1.06 | .29 | YAV6C-L• | | | | | |
| YAV6C-L4 BOX | | 5/16 | -131 | .60 | 1.43 | 1.13 | .35 | YAV6C-L4• | | | | | |
| YAV6C-L2 BOX | | 3/8 | -110 | .60 | 1.43 | 1.13 | .35 | YAV6C-L2• | | | | | |
| YAV6C-L10 BOX | | 1/2 | -143 | .73 | 1.64 | 1.26 | .49 | YAV6C-L10 | | | | | |
| YAV4C-L3 BOX | 4 Aircraft AN 4 Flex | 8-10 | -144 | .55 | 1.37 | 1.11 | .28 | YAV4C-L3• | Non-Ratchet: MY28, MY29-11 Ratchet: MR4C | 40 | DC4L Nest Y29PL Indentor (1) Crimp | UV4L Nest Y34PLA Indentor (1) Crimp | 1/2" |
| YAV4C-L BOX | | 1/4 | -111 | .55 | 1.37 | 1.11 | .28 | YAV4C-L• | | | | | |
| YAV4C-L4 BOX | | 5/16 | -132 | .63 | 1.48 | 1.17 | .33 | YAV4C-L4• | | | | | |
| YAV4C-L2 BOX | | 3/8 | -112 | .63 | 1.48 | 1.17 | .33 | YAV4C-L2• | | | | | |
| YAV4C-L5 BOX | | 1/2 | -145 | .73 | 1.68 | 1.30 | .47 | YAV4C-L5 | | | | | |
| — | 2 Aircraft AN 2 Flex | 8-10 | -146 | .69 | 1.72 | 1.37 | .35 | YAV2C-L3 | Non-Ratchet: MY28, MY29-11 | 41 | DC2L Nest Y29PL Indentor (1) Crimp | UV2L Nest Y34PLA Indentor (1) Crimp | 5/8" |
| YAV2C-L1 BOX | | 1/4 | -113 | .69 | 1.72 | 1.37 | .35 | YAV2C-L1• | | | | | |
| YAV2C-L2 BOX | | 5/16 | -147 | .69 | 1.72 | 1.37 | .35 | YAV2C-L2• | | | | | |
| YAV2C-L BOX | | 3/8 | -114 | .69 | 1.72 | 1.37 | .35 | YAV2C-L• | | | | | |
| YAV2C-L4 BOX | | 1/2 | -133 | .77 | 1.89 | 1.49 | .46 | YAV2C-L4 | | | | | |

† Class 1.
• Available in (90°) right angle design. Suffix "RS" REPLACES SUFFIX "L".
▲ Use Y35P3 INDENTOR ADAPTER with Y35 and Y39 Tool.

■ Bench Mount Adapter - Cat. BMY-BCH-MT is available for Type "MY" HYTOOLS™.
Add "NK" suffix for nickel plated Hylugs™ for high temperature applications up to 650° F continuous service and 750° intermittent service.

TYPES YAV-L BOX AND YAV-L (Continued)

HYLUG™

B-16

| CATALOG NUMBER | WIRE RANGE | STUD SIZE | MS20659 DASH NO.† | DIMENSIONS (INCH) | | | | BULK CAT. NO. | INSTALLATION TOOLING | | | | WIRE STRIP LENGTH |
|----------------|--------------------------|-----------|-------------------|-------------------|--------|--------|----------|----------------------------|----------------------|------------------------------------|-------------------------------------|-------------------------------------|-------------------|
| | | | | C | L MAX. | Y MAX. | Z MIN. | | HYTOOL | DIE INDEX | HYPRESS | | |
| | | | | | | | | | | | Y29B, Y29NC | Y35, Y39, Y750 ▲ | |
| — | 1 Aircraft AN 1 Flex | 8-10 | — | .76 | 1.67 | 1.32 | .25 | Non-Ratchet: MY28, MY29-11 | 42 | DV1L Nest Y29PL Indentor (1) Crimp | UV1L Nest Y34PLA Indentor (1) Crimp | 5/8" | |
| YAV1C-L1 BOX | | 1/4 | -115 | .76 | 1.84 | 1.45 | .38 | | | | | | YAV1C-L1• |
| YAV1C-L2 BOX | | 5/16 | -149 | .76 | 1.84 | 1.45 | .38 | | | | | | YAV1C-L2• |
| YAV1C-L BOX | | 3/8 | -116 | .76 | 1.84 | 1.45 | .38 | | | | | | YAV1C-L |
| YAV1C-L3 BOX | 1/2 | -134 | .86 | 1.97 | 1.54 | .46 | YAV1C-L3 | | | | | | |
| YAV25-L1 BOX | 1/0 Aircraft AN 1/0 Flex | 1/4 | -117 | .83 | 2.01 | 1.61 | .43 | | YAV25-L1 | 43 | DV25L Nest Y29PR Indentor (1) Crimp | UV25L Nest Y34PA Indentor (1) Crimp | 11/16" |
| YAV25-L2 BOX | | 5/16 | -151 | .83 | 2.01 | 1.61 | .43 | | YAV25-L2 | | | | |
| YAV25-L BOX | | 3/8 | -118 | .83 | 2.01 | 1.61 | .43 | | YAV25-L• | | | | |
| YAV25-L3 BOX | | 1/2 | -135 | .88 | 2.09 | 1.64 | .46 | | YAV25-L3• | | | | |
| YAV25-L4 BOX | 2/0 Aircraft AN 2/0 Flex | 5/8 | — | .88 | 2.31 | 1.80 | .62 | | YAV25-L4 | 44 | DV26L Nest Y29PL Indentor (1) Crimp | UV26L Nest Y34PA Indentor (1) Crimp | 13/16" |
| YAV26-L1 BOX | | 1/4 | -153 | .93 | 2.32 | 1.85 | .48 | | YAV26-L1 | | | | |
| YAV26-L2 BOX | | 5/16 | -119 | .93 | 2.32 | 1.85 | .48 | | YAV26-L2 | | | | |
| YAV26-L BOX | | 3/8 | -120 | .93 | 2.32 | 1.85 | .48 | | YAV26-L• | | | | |
| YAV26-L3 BOX | 3/0 Aircraft AN 3/0 Flex | 1/2 | -136 | .93 | 2.32 | 1.85 | .48 | | YAV26-L3• | 45 | — | UV27L Nest Y34PA Indentor (1) Crimp | 13/16" |
| YAV26-L12 BOX | | 5/8 | — | .93 | 2.52 | 1.99 | .62 | | YAV26-L12 | | | | |
| YAV27-L BOX | | 3/8 | -121 | 1.03 | 2.45 | 1.93 | .52 | | YAV27-L• | | | | |
| YAV27-L1 BOX | | 1/2 | -122 | 1.03 | 2.45 | 1.93 | .52 | YAV27-L1 | | | | | |
| YAV27-L15 BOX | 4/0 Aircraft AN 4/0 Flex | 5/8 | — | 1.03 | 2.60 | 2.04 | .62 | YAV27-L15 | 46 | — | UV28L Nest Y34PA Indentor (1) Crimp | 7/8" | |
| YAV28-L BOX | | 3/8 | -123 | 1.12 | 2.72 | 2.16 | .60 | YAV28-L | | | | | |
| YAV28-L12 BOX | | 1/2 | -124 | 1.12 | 2.72 | 2.16 | .60 | YAV28-L12 | | | | | |
| YAV28-L13 BOX | | 5/8 | -159 | 1.12 | 2.72 | 2.16 | .60 | YAV28-L13 | | | | | |
| YAV28-L14 BOX | | 3/4 | -160 | 1.23 | 2.95 | 2.33 | .78 | YAV28-L14 | | | | | |

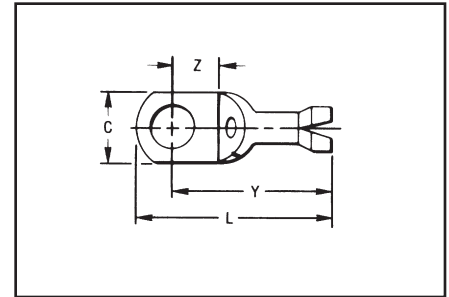
† Class 1.
• Available in (90°) right angle design. Suffix "RS" replaces suffix "L".
▲ Use Y35P3 INDENTOR ADAPTER with Y35 and Y39 Tool.

■ Bench Mount Adapter - Cat. BMY-BCH-MT is available for Type "MY" HYTOOLS™.
Add "NK" suffix for nickel plated Hylugs™ for high temperature applications up to 650° F continuous service and 750° intermittent service.

TYPES YAV-H BOX AND YAV-H

HYLUG™

SEAMLESS UNINSULATED COMPRESSION RING TONGUE TERMINAL WITH SHROUD



B-17

The type YAV-H HYLUG™ is a seamless heavy duty uninsulated compression ring tongue terminal with a shroud for an insulation grip and cable support. They are manufactured from pure electrolytic copper tubing for use on copper commercial (code) cable, Type AN aircraft cable and extra flexible conductors.

The seamless design produces a double thick tongue and the seamless barrel provides a strong highly reliable connection.

Meets the requirements of MIL-T-7928. The benefits of the Type YAV apply to the YAV-H HYLUG™.

Features and Benefits

- Shroud/insulation grip cable support and strain relief.
- ◊ Protects the wire against breaking under vibration or flexing conditions.



| CATALOG NUMBER | WIRE RANGE | STUD SIZE | MAX. INSUL. DIA. ACCOM. | DIMENSIONS | | | | BULK CAT. NO. | INSTALL TOOLING | DIES | WIRE STRIP LENGTH |
|----------------|------------|-----------|-------------------------|------------|--------|--------|--------|---------------|---|---|-------------------|
| | | | | C | L MAX. | Y MAX. | Z MIN. | | | | |
| YAV18-H1 BOX | 22-18 | 6-8 | .120" | .31 | .91 | .76 | .24 | YAV18-H1 | Plier: Y10D*, Y10-22* | M8ND, with N14HT, N14HT-5 Die | 9/32" |
| YAV18-H BOX | | 8-10 | | .31 | .91 | .76 | .24 | YAV18-H | | | |
| YAV14-H1 BOX | 20-14 | 6-8 | .150" | .31 | .95 | .80 | .24 | YAV14-H1 | Ratchet: MR8-G98, MR8-9Q, Y8MRB-1*, MR20*, M8ND | M8ND with N10HT Die | 9/32" |
| YAV14-H BOX | | 8-10 | | .31 | .95 | .80 | .24 | YAV14-H | | | |
| YAV14-H2 BOX | | 1/4 | | .42 | 1.14 | .90 | .32 | YAV14-H2 | | | |
| YAV10-H25 BOX | 12-10 | 6-8 | .192" | .31 | 1.04 | .90 | .24 | YAV10-H25 | MR8-9Q, Y8MRB-1*, MR20*, M8ND | M8ND with N10HT Die | 7/16" |
| YAV10-H BOX | | 8-10 | | .38 | 1.09 | .91 | .24 | YAV10-H | | | |
| YAV10-H3 BOX | | 1/4 | | .47 | 1.22 | .99 | .32 | YAV10-H3 | | | |

* For conductor crimp only.

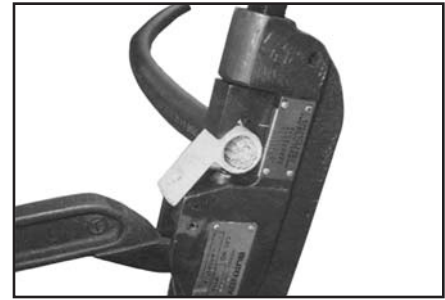
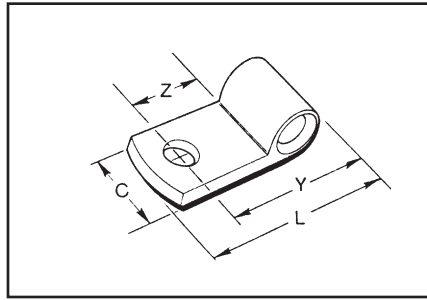
BURNDY® Products FCI

Compression

TYPE YBM

HYLUG™

FLAG-TYPE RING-TONGUE TERMINALS



B-18

Made of pure electrolytic copper for maximum conductivity and ductility. Seamless extrusion tin plated to resist corrosion.



| CATALOG* NUMBER | WIRE RANGE | | STUD SIZE | DIMENSIONS IN INCHES | | | | HYTOOL | **INSTALLATION TOOLING HYPRESS Y29NC & Y29B | | WIRE STRIP LENGTH | |
|--------------------|--|------|--------------|----------------------|--------|--------|--------|--------|--|----------|-------------------------|--------|
| | Flex | Code | | C | Z MIN. | Y MAX. | L MAX. | | NEST | INDENTOR | | |
| YBM8C | 8 | 8 | 8-10 | 0.44 | 0.34 | 0.77 | 1.01 | MY28 | DV8B | Y29PBL-4 | 7/16" | |
| YBM8C-T2 | Class I, K, DLO (37/24) | | 1/4 | 0.50 | 0.37 | 0.80 | 1.07 | | | | 1/2" | |
| YBM8CT4 | MIL-W-5086 | | 3/8 | 0.62 | 0.52 | 0.83 | 1.35 | | | | 9/16" | |
| YBM6C-L9 | 6 | 6 | 8-10 | 0.50 | 0.37 | 0.85 | 1.09 | | DV6BL | | Y29PBL-4 | 1/2" |
| YBM6C-L | Class I, | | 1/4 | 0.50 | 0.37 | 0.85 | 1.12 | | | | | 9/16" |
| YBM6C-L2 | DLO (81/24) | | 5/16 | 0.56 | 0.43 | 0.91 | 1.21 | | | | | 5/8" |
| YBM6C-L3 | 5086 MIL | | 3/8 | 0.62 | 0.52 | 0.88 | 1.21 | | | | | |
| YBM4C-L4 | 4 | 4 | 8-10 | 0.50 | 0.37 | 0.99 | 1.18 | | DV4BL | Y29PBL | 1/2" | |
| YBM4C-L | Class I, | | 1/4 | 0.50 | 0.37 | 0.94 | 1.21 | | | | 9/16" | |
| YBM4C-L1 | DLO (105/24) | | 5/16 | 0.56 | 0.43 | 1.00 | 1.30 | | | | 5/8" | |
| YBM4C-L2 | MIL-W-5086 | | 3/8 | 0.62 | 0.52 | 0.97 | 1.30 | | | | | |
| YBM2C-L1 | 2 | 2 | 1/4 | 0.62 | 0.37 | 1.01 | 1.29 | | MY28 | DV2BL | Y29PL | 5/8" |
| YBM2C-L2 | Class I, DLO (150/24) | | 5/16 | 0.62 | 0.43 | 1.07 | 1.38 | 1" | | | | |
| YBM2C-L | MIL-W-5086 | | 3/8 | 0.62 | 0.37 | 1.01 | 1.35 | 5/8" | | | | |
| YBM1C-L3 | 1 | 1 | 1/2 | 0.88 | 0.71 | 1.29 | 1.74 | DV1BL | | Y29PR | 5/8" | |
| YBM1C-L | Class I, DLO (225/24) MIL-W-5086 | | 3/8 | 0.62 | 0.50 | 1.19 | 1.53 | | | | 3/4" | |
| YBM25-L1 | 1/0 | — | 1/4 | 0.69 | 0.52 | 1.19 | 1.83 | MY28 | | DV25BL-1 | Y29PR | 13/16" |
| YBM25-L2 | Class I, DLO (275/24) | | 5/16 | 0.69 | 0.46 | 1.25 | 1.56 | | 1" | | | |
| YBM25-L | MIL-W-5086 | | 3/8 | 0.69 | 0.58 | 1.26 | 1.59 | | 1" | | | |
| YBM26-L | 2/0 | — | 3/8 | 0.81 | 0.51 | 1.37 | 1.72 | MY28 | DV26L | Y29PR | 1" | |
| YBM27-L | Class I, DLO (325/24) MIL-W-5086 | | 3/8 | .95 | .46 | 1.42 | 1.72 | | | | 1" | |
| YBM27-L1 | 3/0 | — | 3/8 | .83 | .43 | 1.37 | 1.75 | MY28 | DV27L | Y29PR | 1" | |
| YBM28-1/4 | Class I, DLO (450/24) MIL-W-5086 | | 3/8 | .95 | .43 | 1.37 | 1.75 | | | | 1" | |
| YBM28-1/4 | 4/0 | — | 1/4 | .95 | .72 | 1.66 | 2.09 | MY28 | DV28L | Y29PR | 1" | |
| YBM28-1/4 | Class I, DLO (550/24) MIL-W-5086 | | 1/4 | .95 | .72 | 1.66 | 2.09 | | | | 1" | |

* Lead Plated available, contact factory.

** See top illustration for recommended connector insertion into tools.

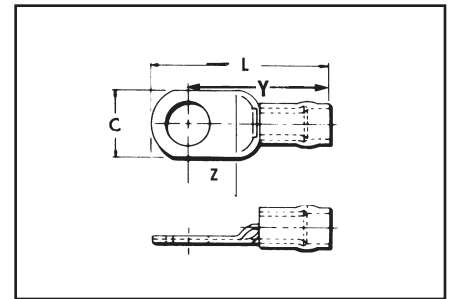
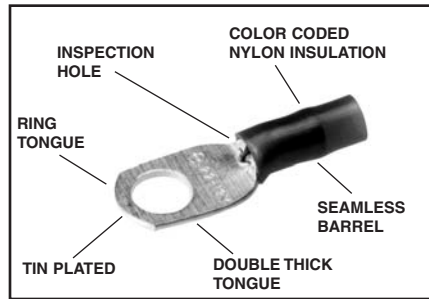
TYPES YAEV AND YAEV-L

INSULUG™

TERMINAL - NYLON INSULATED - RING-TONGUE

300 VOLTS MAX. 105° C MAX.

The INSULUG™ type YAEV is designed for very demanding high vibration applications encountered in aircraft and aboard ships as well as motor lead applications in hospitals, industrials and generating plants. The nylon insulated seamless, electrolytic copper barrel with double thick tongue provides an extra strong insulated connection. The terminal is rated 105°C and meets MIL-T-7928 requirements.



Features and Benefits

- Double thick tongue.
 - ◊ Provides maximum reliability and electrical capacity plus an extra strong terminal tongue.
- Manufactured from one-piece pure electrolytic copper.
 - ◊ Provides high conductivity, low resistance with no seams to split plus ductility for excellent crimp forming properties.
- Electro-tin plated.
 - ◊ Provides long-lasting corrosion resistance.
- Nylon insulation is locked in place.
 - ◊ Insulation will not move or twist off.
- 300 volt nylon insulation.
 - ◊ High dielectric strength and stability in demanding oily environmental conditions.
- Color Coded.
 - ◊ Provides quick, easy wire size connector selection.

| CATALOG NUMBER | WIRE RANGE AWG AN AIRCRAFT | STUD SIZE | MS25036- * DASH NO. | DIMENSIONS | | | | BULK CATALOG NUMBER | INSTALLATION TOOLING | WIRE STRIP LENGTH |
|----------------|--|--------------|---------------------------|------------|--------|--------|-----------|---------------------------|---|-------------------------|
| | | | | C | Z MIN. | Y MAX. | L MAX. | | | |
| YAEV18 BOX | 22-18 Max. Insul. Dia. Accom.: .125 Color Code: Red | 8-10 | — | .31 | .24 | .77 | .91 | YAEV18 | Ratchet: MR8D94 | 1/4" |
| YAEV14 BOX | 18-14 Max. Insul. Dia. Accom.: .154 Color Code: Blue | 8-10 | — | .31 | .24 | .88 | .94 | YAEV14 | Ratchet: MR18, MR8D94 | 1/4" |
| YAEV10-T7 BOX | 12-10 Max. Insul. Dia. Accom.: .209 Color Code: Yellow | 4-5 | — | .30 | .24 | .95 | 1.09 | YAEV10-T7 | Ratchet: MR8D94 MR8-33-T1 M8ND with N10ET-9 DIE MR18* MR4 10M | 5/16" |
| YAEV10-T11 BOX | | 6-8 | — | .37 | .26 | .97 | 1.14 | YAEV10-T11 | | |
| YAEV10 BOX | | 8-10 | — | .37 | .26 | .97 | 1.14 | YAEV10 | | |
| YAEV10-L36 BOX | | 8-10 | — | .30 | .18 | .89 | 1.04 | YAEV10-L36 | | |
| YAEV10-T3 BOX | | 1/4 | — | .47 | .38 | 1.12 | 1.30 | YAEV10-T3 | | |
| YAEV10-T2 BOX | | 5/16 | — | .53 | .31 | 1.12 | 1.30 | YAEV10-T2 | | |
| YAEV10-T4 BOX | 3/8 | — | .56 | .35 | 1.12 | 1.35 | YAEV10-T4 | | | |

* No. 10 Str. Cu. only.

TYPES YAEV AND YAEV-L

(Continued)

INSULUG™

B-20

| CATALOG NUMBER | WIRE RANGE | STUD SIZE † | MS25036 DASH NO. | DIMENSIONS | | | | BULK CATALOG NUMBER | INSTALLATION TOOLING | HYPRESS Y29NC | | WIRE STRIP LENGTH |
|----------------|---|-------------|------------------|------------|--------|--------|------------|---------------------|---|---------------|----------------------|-------------------|
| | | | | C | Z MIN. | Y MAX. | L MAX. | | | NEST | INDENTOR | |
| YAEV8C-L14 BOX | 8 Str. Max. Insul. Dia. Accom.: .258 Color Code: Red | 6-8 | — | .41 | .28 | 1.20 | 1.40 | YAEV8C-L14 | Ratchet: M8ND with N8CET-2 Die Non-Ratchet: MY28-6* Hydraulic: Y35, Y39 with U8CET Die Set | DEV8L | Y29PLE-1 Y29PLE-1 | 7/16" |
| YAEV8C-L BOX | | 8-10 | -115 | .41 | .28 | 1.20 | 1.40 | YAEV8C-L | | | | |
| YAEV8C-L1 BOX | | 1/4 | -116 | .46 | .33 | 1.24 | 1.47 | YAEV8-L1 | | | | |
| YAEV8C-L2 BOX | | 5/16 | -117 | .57 | .35 | 1.28 | 1.55 | YAEV8C-L2 | | | | |
| YAEV8C-L3 BOX | | 3/8 | -118 | .57 | .35 | 1.39 | 1.55 | YAEV8C-L3 | | | | |
| YAEV8C-L4 BOX | 1/2 | — | .73 | .47 | 1.39 | 1.75 | YAEV8C-L4 | | | | | |
| — | 6 Str. Max. Insul. Dia. Accom.: .313 Color Code: Blue | 8-10 | -119** | .48 | .29 | 1.33 | 1.56 | YAEV6C-L1** | Non-Ratchet: MY28-6* Hydraulic: Y35, Y39 with U6CET Die Set | DEV6L | Y29PLE-1 Y29PLE-1 | 1/2" |
| — | | 1/4 | -120** | .48 | .29 | 1.33 | 1.56 | YAEV6C-L** | | | | |
| — | | 5/16 | -121** | .60 | .36 | 1.39 | 1.68 | YAEV6C-L4** | | | | |
| — | | 3/8 | -122** | .60 | .36 | 1.39 | 1.68 | YAEV6C-L2** | | | | |
| — | | 1/2 | — | .73 | .47 | 1.53 | 1.91 | YAEV6C-L10 | | | | |
| — | 4 Str. Max. Insul. Dia. Accom.: .374 Color Code: Yellow | 8-10 | — | .55 | .28 | 1.40 | 1.62 | YAEV4C-L3 | Non-Ratchet: MY28-6* Hydraulic: Y35, Y39 with U4CET Die Set | DEV4L | | 1/2" |
| — | | 1/4 | -123 | .55 | .28 | 1.37 | 1.62 | YAEV4C-L | | | | |
| — | | 5/16 | -124 | .63 | .34 | 1.43 | 1.74 | YAEV4C-L4 | | | | |
| — | | 3/8 | -125 | .63 | .34 | 1.43 | 1.74 | YAEV4C-L2 | | | | |
| — | | 1/2 | — | .73 | .47 | 1.56 | 1.92 | YAEV4C-L5 | | | | |
| — | 2 Str. Max. Insul. Dia. Accom.: .459 Color Code: Red | 10 | — | .69 | .35 | 1.72 | 2.03 | YAEV2C-L3 | Non-Ratchet: MY28-6* Hydraulic: Y35, Y39 with U2CET Die Set | DEV2L | | 5/8" |
| — | | 1/4 | -126 | .69 | .35 | 1.61 | 2.03 | YAEV2C-L1 | | | | |
| — | | 5/16 | — | .69 | .35 | 1.68 | 2.03 | YAEV2C-L2 | | | | |
| — | | 3/8 | -127 | .69 | .35 | 1.69 | 2.03 | YAEV2C-L | | | | |
| — | | 1/2 | -128 | .77 | .47 | 1.80 | 2.16 | YAEV2C-L4 | | | | |
| — | 1 Str. Max. Insul. Dia. Accom.: .516 Color Code: White | 1/4 | -129 | .76 | .38 | 1.63 | 2.14 | YAEV1C-L1 | Non-Ratchet: MY28-6* Hydraulic: Y35, Y39 with U1CET Die Set | DV26L | Y29PLE Y29PLE | 5/8" |
| — | | 5/16 | — | .76 | .38 | 1.71 | 2.14 | YAEV1C-L2 | | | | |
| — | | 3/8 | -130 | .76 | .38 | 1.72 | 2.14 | YAEV1C-L | | | | |
| — | | 1/2 | -131 | .86 | .47 | 1.86 | 2.27 | YAEV1C-L3 | | | | |
| — | | 1/0 Str. | -132 | .83 | .43 | 1.97 | 2.40 | YAEV25-L1 | | | | |
| — | Max. Insul. Dia. Accom.: .564 Color Code: Blue | 5/16 | — | .83 | .43 | 1.97 | 2.40 | YAEV25-L2 | Non-Ratchet: MY28-6* Hydraulic: Y35, Y39 with U25ET Die Set | DEV25L | Y29PLE Y29PLE | 11/16" |
| — | | 3/8 | -133 | .83 | .43 | 1.97 | 2.40 | YAEV25-L | | | | |
| — | | 1/2 | -134 | .88 | .47 | 2.02 | 2.46 | YAEV25-L3 | | | | |
| — | 2/0 Str. Max. Insul. Dia. Accom.: .628 Color Code: Yellow | 5/8 | — | .88 | .63 | 2.17 | 2.67 | YAEV25-L4 | Non-Ratchet: MY28-6* Hydraulic: Y35, Y39 with U26ET Die Set | DEV26L | | 13/16" |
| — | | 1/4 | — | .93 | .49 | 2.19 | 2.72 | YAEV26-L1 | | | | |
| — | | 5/16 | -135 | .93 | .49 | 2.19 | 2.72 | YAEV26-L2 | | | | |
| — | | 3/8 | -136 | .93 | .49 | 2.19 | 2.72 | YAEV26-L | | | | |
| — | | 1/2 | -137 | .93 | .49 | 2.27 | 2.72 | YAEV26-L3 | | | | |
| — | 5/8 | — | .93 | .63 | 2.43 | 2.72 | YAEV26-L12 | | | | | |

† Additional terminal stud sizes available.

* BMY, BNCH-MT bench mount adapter available.

** NOTE: Add suffix "M" to cat. number to conform to MS25036 - standard for these items only (example: YAEV6C-L1M).

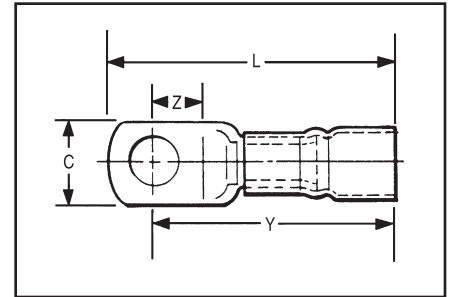
See above. Contact Burndy for UL listed products.

TYPE YAEV-H

INSULUG™

RING-TONGUE TERMINALS

NYLON-INSULATED FOR EXPANDED INSULATION



B-21

Designed to accommodate larger conductor insulation diameters. Made of one piece tin plated pure electrolytic seamless copper tubing for maximum conductivity and ductility. Color-coded insulating sleeves are locked into position. Inspection hole permits visual check of wire insertion. Meets requirements of MIL-T-7928

| BULK CATALOG NUMBER | WIRE RANGE | STUD SIZE | C | Z MIN. | Y MAX. | L MAX. | INSTALLATION TOOLING | | | WIRE STRIP LENGTH |
|---------------------|---|---|------|--------|--------|--------|--|-------|----------|-------------------|
| | | | | | | | HYTOOL HYPRESS | Y29NC | | |
| | | | | | | | | NEST | INDENTOR | |
| YAEV8C-H14 | 8 Max. Insul. Dia.: .30" Sleeve Color: Red | 6-8 | .41 | .25 | 1.32 | 1.54 | M8ND with N8CET-2 Die MY28-6* Y35, Y39 with U8CET Die | DEV8K | Y29PLE-1 | 7/16" |
| YAEV8C-H | | 8-10 | .41 | .25 | 1.34 | 1.54 | | | | |
| YAEV8C-H1 | | 1/4 | .46 | .28 | 1.37 | 1.61 | | | | |
| YAEV8C-H2 | | 5/16 | .57 | .33 | 1.39 | 1.68 | | | | |
| YAEV8C-H3 | | 3/8 | .57 | .33 | 1.39 | 1.68 | | | | |
| YAEV8C-H4 | | 1/2 | .73 | .47 | 1.52 | 1.91 | | | | |
| YAEV6C-H1 | 6 Max. Insul. Dia.: .38" Sleeve Color: Blue | 8-10 | .48 | .28 | 1.48 | 1.73 | MY28-6* Y35, Y39 with U6CET Die Set | DEV6L | Y29PLE-1 | 1/2" |
| YAEV6C-H | | 1/4 | .48 | .28 | 1.48 | 1.73 | | | | |
| YAEV6C-H4 | | 5/16 | .60 | .34 | 1.54 | 1.85 | | | | |
| YAEV6C-H2 | | 3/8 | .60 | .34 | 1.54 | 1.85 | | | | |
| YAEV6C-H10 | | 1/2 | .73 | .47 | 1.52 | 1.91 | | | | |
| YAEV4C-H3 | | 4 Max. Insul. Dia.: .44" Sleeve Color: Yellow | 8-10 | .55 | .28 | 1.60 | | | | |
| YAEV4C-H | 1/4 | | .55 | .28 | 1.60 | 1.87 | | | | |
| YAEV4C-H4 | 5/16 | | .62 | .34 | 1.66 | 1.98 | | | | |
| YAEV4C-H2 | 3/8 | | .62 | .34 | 1.66 | 1.98 | | | | |
| YAEV4C-H5 | 1/2 | | .73 | .47 | 1.79 | 2.18 | | | | |
| YAEV2C-H3 | 2 Max. Insul. Dia.: .52" Sleeve Color: Red | 8-10 | .69 | .35 | 1.98 | 2.34 | MY28-6* Y35, Y39 with U2CET Die | DEV2L | Y29PLE | 5/8" |
| YAEV2C-H1 | | 1/4 | .69 | .35 | 1.98 | 2.34 | | | | |
| YAEV2C-H2 | | 5/16 | .69 | .35 | 1.98 | 2.34 | | | | |
| YAEV2C-H | | 3/8 | .69 | .35 | 1.98 | 2.34 | | | | |
| YAEV2C-H4 | | 1/2 | .77 | .47 | 2.10 | 2.49 | | | | |
| YAEV1C-H1 | 1 Max. Insul. Dia.: .58" Sleeve Color: White | 1/4 | .76 | .38 | 2.10 | 2.49 | MY28-6* Y35, Y39 with U1CET Die | DV26L | Y29PLE | 5/8" |
| YAEV1C-H2 | | 5/16 | .76 | .38 | 2.10 | 2.49 | | | | |
| YAEV1C-H | | 3/8 | .76 | .38 | 2.10 | 2.49 | | | | |
| YAEV1C-H3 | | 1/2 | .86 | .47 | 2.10 | 2.62 | | | | |

* BMY BNCH-MT bench mount adapter available.

TYPE YAEV-H (Continued)

B-22

| BULK CATALOG NUMBER | WIRE RANGE | STUD SIZE | C | Z MIN. | Y MAX. | L MAX. | INSTALLATION TOOLING | | WIRE STRIP LENGTH | |
|---------------------|---------------|-----------|-----|--------|--------|--------|--|--------|-------------------|----------|
| | | | | | | | HYTOOL HYPRESS | Y29NC | | |
| | | | | | | | | NEST | | INDENTOR |
| YAEV25-H1 | 1/0 | 1/4 | .83 | .43 | 2.39 | 2.82 | MY28-6* Y35, Y39 with U25ET Die Set | DEV25L | Y29PLE | 11/16" |
| YAEV25-H2 | Max. Insul. | 5/16 | .83 | .43 | 2.39 | 2.82 | | | | |
| YAEV25-H | Dia.: .66" | 3/8 | .83 | .43 | 2.39 | 2.82 | | | | |
| YAEV25-H3 | Sleeve | 1/2 | .88 | .47 | 2.43 | 2.86 | | | | |
| YAEV25-H4 | Color: Blue | 5/8 | .88 | .51 | 2.51 | 3.11 | | | | |
| YAEV26-H1 | 2/0 | 1/4 | .94 | .48 | 2.65 | 3.13 | MY28-6* Y35, Y39 with U26ET Die Set | DEV26L | Y29PLE | 13/16" |
| YAEV26-H2 | Max. Insul. | 5/16 | .94 | .48 | 2.65 | 3.13 | | | | |
| YAEV26-H | Dia.: .73" | 3/8 | .94 | .48 | 2.65 | 3.13 | | | | |
| YAEV26-H3 | Sleeve Color: | 1/2 | .94 | .48 | 2.65 | 3.13 | | | | |
| YAEV26-H12 | Yellow | 5/8 | .94 | .62 | 2.70 | 3.33 | | | | |

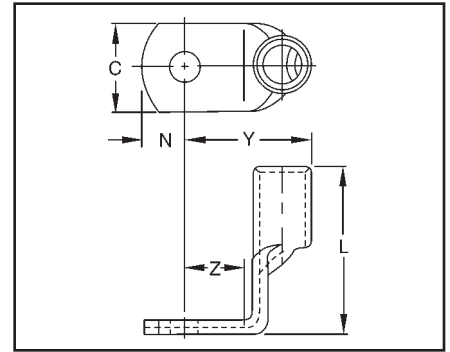
* BMY BNCH-MT bench mount adapter available.

TYPES YAV-R, YAV-RS

HYLUG™

HEAVY DUTY RIGHT-ANGLE TERMINALS

Factory formed right angle HYLUG™ connectors made of seamless pure copper tubing. These rugged terminals withstand the most severe applications. Inspection hole in barrel permits visual check of wire insertion. Tin plated to resist corrosion. Meets requirements of MIL-T-7928.



B-23

| CATALOG NUMBER | WIRE RANGE | STUD SIZE | DIMENSIONS | | | | | INSTALLATION TOOLING | WIRE STRIP LENGTH |
|----------------|------------|-----------|------------|--------|--------|--------|-----|---|-------------------|
| | | | C | L MAX. | Y MAX. | Z MIN. | N | | |
| YAV18-R | 22-18 | 8-10 | .31 | .35 | .54 | .25 | .16 | Non-Ratchet: Y10D Ratchet: Y8MRB-1, MR20, MR8-G98, MR8-9Q | 1/4 |
| YAV14-RL33 | 20-14 | 4-6 | .25 | .37 | .45 | .21 | .12 | | |
| YAV14-R | | 8-10 | .31 | .38 | .57 | .25 | .16 | | |
| YAV10-R | 12-10 | 8-10 | .38 | .55 | .58 | .25 | .19 | 5/16 | |
| YAV10-R3 BOX | | 1/4 | .47 | .57 | .60 | .28 | .23 | | |

| BULK CATALOG NUMBER | WIRE | STUD | DIMENSIONS IN INCHES | | | | | INSTALLATION TOOLING | | WIRE STRIP LENGTH | | |
|---------------------|------|------|----------------------|--------|--------|--------|-------|----------------------|---------------|-------------------|----------|------|
| | | | C | L MAX. | Y MAX. | Z MIN. | N | HYTOOL | HYPRESS Y29NC | | | |
| | | | | | | | | | NEST | | INDENTOR | |
| YAV8C-RS | 8 | 8-10 | .41 | 1.00 | .75 | .25 | .20 | MY28 MY29-11 | DV8L-1* | Y29PL | 7/16" | |
| YAV8C-RS1 | | 1/4 | .41 | 1.00 | .79 | .28 | .20 | | | | | |
| YAV8C-RS3 | | 3/8 | .56 | 1.00 | .85 | .34 | .20 | | | | | |
| YAV6C-RS1 | 6 | 8-10 | .50 | 1.02 | .81 | .28 | .25 | | DV6L | | Y29PL | 1/2" |
| YAV6C-RS | | 1/4 | .50 | 1.02 | .81 | .28 | .25 | | | | | |
| YAV6C-RS4 | | 5/16 | .59 | 1.02 | .89 | .34 | .31 | | | | | |
| YAV6C-RS2 | 3/8 | .59 | 1.02 | .89 | .34 | .31 | DV4L | | Y29PL | | 1/2" | |
| YAV4C-RS3 | 8-10 | .53 | 1.04 | .87 | .28 | .25 | | | | | | |
| YAV4C-RS | 1/4 | .53 | 1.04 | .87 | .28 | .25 | | | | | | |
| YAV4C-RS4 | 5/16 | .62 | 1.04 | .95 | .34 | .31 | DV2L | | Y29PL | | 5/8" | |
| YAV4C-RS2 | 3/8 | .62 | 1.04 | .95 | .34 | .31 | | | | | | |
| YAV2C-RS1 | 1/4 | .68 | 1.27 | 1.05 | .34 | .33 | | | | | | |
| YAV2C-RS2 | 5/16 | .68 | 1.27 | 1.05 | .34 | .33 | DV1L | Y29PR | 5/8" | | | |
| YAV2C-RS | 3/8 | .68 | 1.27 | 1.05 | .34 | .33 | | | | | | |
| YAV1C-RS1 | 1/4 | .73 | 1.35 | 1.15 | .34 | .33 | | | | | | |
| YAV1C-RS2 | 5/16 | .73 | 1.35 | 1.15 | .34 | .33 | DV25L | Y29PR | 11/16" | | | |
| YAV25-RS | 3/8 | .82 | 1.51 | 1.29 | .43 | .39 | | | | | | |
| YAV25-RS3 | 1/2 | .88 | 1.51 | 1.32 | .47 | .44 | | | | | | |
| YAV26-RS | 2/0 | 3/8 | .92 | 1.63 | 1.40 | .47 | .39 | DV26L | Y29PR | 13/16" | | |
| YAV26-RS3 | | 1/2 | .92 | 1.63 | 1.40 | .47 | .39 | | | | | |
| YAV27-RS | 3/0 | 3/8 | 1.02 | 1.65 | 1.54 | .47 | .48 | — | — | 7/8" | | |
| YAV28-RS | 4/0 | 3/8 | 1.13 | 1.80 | 1.54 | .47 | .48 | | | | | |

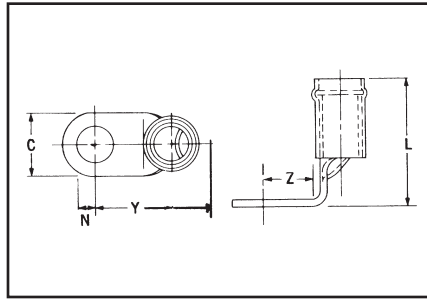
* For aircraft applications (Flexible Cable) use die DV8L-1

TYPES YAEV-RS

INSULUG™

RIGHT-ANGLE TERMINALS

NYLON-INSULATED



B-24

Factory formed right angle INSULUG™ connectors made of seamless pure copper tubing. These rugged terminals withstand the most severe applications. Inspection hole in barrel permits visual check of wire insertion. Meets requirements of MIL-T-7928.

| CATALOG NUMBER | WIRE SIZE | STUD SIZE | N | C | Z MIN. | Y MAX. | L MAX. | INSTALLATION TOOLING | | | LENGTH | | |
|----------------|---|-----------|-----|-----|--------|--------|--------|----------------------|---------------|----------|--------|--------|--------|
| | | | | | | | | HYTOOL | HYPRESS Y29NC | | | | |
| | | | | | | | | | NEST | INDENTOR | | | |
| YAEV8C-RS | 8 | 8-10 | .20 | .41 | .25 | .82 | 1.25 | A | DEV8L | Y29PLE-1 | 7/16" | | |
| YAEV8C-RS1 | Max. Insul. Dia.: .258" Sleeve Color: Red | 1/4 | .25 | .41 | .28 | .84 | 1.25 | | | | | | |
| YAEV6C-RS1 | 6 | 8-10 | .25 | .50 | .28 | .88 | 1.28 | B | DEV6L | | Y29PLE | 1/2" | |
| YAEV6C-RS | Max. Insul. Dia.: .313" Sleeve Color: Blue | 1/4 | .25 | .50 | .28 | .88 | 1.20 | | | | | | |
| YAEV4C-RS | 4 | 1/4 | .25 | .53 | .28 | .95 | 1.28 | C | DEV4L | | | Y29PLE | 1/2" |
| YAEV4C-RS2 | Max. Insul. Dia.: .374" Sleeve Color: Yellow | 3/8 | .31 | .62 | .34 | 1.02 | 1.28 | | | | | | |
| YAEV2C-RS1 | 2 | 1/4 | .33 | .68 | .34 | 1.13 | 1.62 | D | DEV2L | Y29PLE | 5/8" | | |
| YAEV2C-RS | Max. Insul. Dia.: .459" Sleeve Color: Red | 3/8 | .33 | .68 | .34 | 1.13 | 1.62 | | | | | | |
| YAEV1C-RS2 | 1 | 5/16 | .33 | .73 | .34 | 1.22 | 1.65 | E | DEV26L | | Y29PLE | 5/8" | |
| YAEV1C-RS | Max. Insul. Dia.: .516" Sleeve Color: White | 3/8 | .33 | .73 | .34 | 1.22 | 1.65 | | | | | | |
| YAEV25-RS | 1/0 | 3/8 | .39 | .81 | .43 | 1.46 | 1.88 | F | DEV25L | | | Y29PLE | 11/16" |
| YAEV26-RS | 2/0 | 3/8 | .39 | .92 | .47 | 1.48 | 2.06 | | | | | | |
| | Max. Insul. Dia.: .628" Sleeve Color: Yellow | | | | | | | G | DEV26 | Y29PLE | | | 13/16" |

| A | B | C | D | E | F | G |
|---|---|---|---|---|---|---|
| Ratchet: M8ND with N8CET-2 Die Non-Ratchet: MY28-6†† Hydraulic: Y35, Y39 with U8CET Die Set | Non-Ratchet: MY28-6†† Hydraulic: Y35, Y39 with U6CET Die Set | Non-Ratchet: MY28-6†† Hydraulic: Y35, Y39 with U4CET Die Set | Non-Ratchet: MY28-6†† Hydraulic: Y35, Y39 with U2CET Die Set | Non-Ratchet: MY28-6†† Hydraulic: Y35, Y39 with U1CET Die Set | Non-Ratchet: MY28-6†† Hydraulic: Y35, Y39 with U25ET Die Set | Non-Ratchet: MY28-6†† Hydraulic: Y35, Y39 with U26ET Die Set |

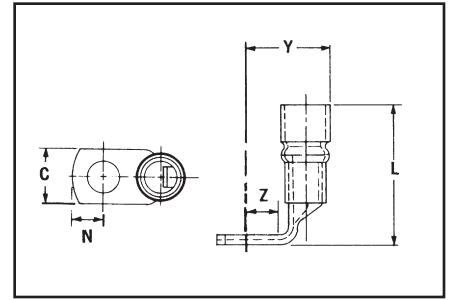
†† BMY BNCH-MT bench mount adapter available.

TYPE YAEV-RH

INSULUG™

RIGHT-ANGLE TERMINALS,
NYLON-INSULATED

DESIGNED TO
ACCOMMODATE
LARGER CONDUCTOR
INSULATION DIAMETERS



B-25

Factory formed right angle INSULUG™ connectors made of seamless pure copper tubing. These rugged terminals withstand the most severe applications. Inspection hole in barrel permits visual check of wire insertion. Tin plated to resist corrosion. Meets requirements of MIL-T-7928.

| CATALOG NUMBER | WIRE SIZE | STUD SIZE | N | C | Z MIN. | Y MAX. | L MAX. | INSTALLATION TOOLING | | | LENGTH |
|----------------|--|-----------|-----|-----|--------|--------|--------|----------------------|---------------|----------|--------|
| | | | | | | | | HYTOOL | HYPRESS Y29NC | | |
| | | | | | | | | | NEST | INDENTOR | |
| YAEV8C-RH | 8 | 8-10 | .20 | .41 | .25 | .87 | 1.38 | A | DEV8L | Y29PLE-1 | 7/16" |
| YAEV8C-RH1 | Max. Insul. Dia.: .30" Sleeve Color: Red | 1/4 | .25 | .41 | .28 | .90 | 1.38 | | | | |
| YAEV6C-RH1 | 6 | 8-10 | .25 | .50 | .28 | .97 | 1.43 | B | DEV6L | | 1/2" |
| YAEV6C-RH | Max. Insul. Dia.: .38" Sleeve Color: Blue | 1/4 | .25 | .50 | .28 | .97 | 1.43 | | | | |
| YAEV4C-RH | 4 | 1/4 | .25 | .53 | .28 | 1.04 | 1.53 | C | DEV4L | 1/2" | |
| YAEV4C-RH2 | Max. Insul. Dia.: .44" Sleeve Color: Yellow | 3/8 | .31 | .62 | .34 | 1.11 | 1.53 | | | | |
| YAEV2C-RH1 | 2 | 1/4 | .33 | .67 | .34 | 1.22 | 1.88 | D | DEV2L | 5/8" | |
| YAEV2C-RH | Max. Insul. Dia.: .52" Sleeve Color: White | 3/8 | .33 | .73 | .34 | 1.32 | 1.99 | | | | |
| YAEV1C-RH2 | 1 | 5/16 | .33 | .73 | .34 | 1.32 | 1.99 | E | DV26L | 5/18" | |
| YAEV1C-RH | Max. Insul. Dia.: .52" Sleeve Color: White | 3/8 | .33 | .73 | .34 | 1.32 | 1.99 | | | | |
| YAEV25-RH | 1/0 | 3/8 | .39 | .81 | .43 | 1.50 | 2.29 | F | DEV25L | 11/16" | |
| YAEV26-RH | 2/0 | 3/8 | .39 | .92 | .47 | 1.60 | 2.42 | G | DEV26L | 13/16" | |

| A | B | C | D | E | F | G |
|---|---|---|---|---|---|---|
| Ratchet: M8ND with N8CET-2 Die Non-Ratchet: MY28-6†† Hydraulic: Y35, Y39 with U8CET Die Set | Non-Ratchet: MY28-6†† Hydraulic: Y35, Y39 with U6CET Die Set | Non-Ratchet: MY28-6†† Hydraulic: Y35, Y39 with U4CET Die Set | Non-Ratchet: MY28-6†† Hydraulic: Y35, Y39 with U2CET Die Set | Non-Ratchet: MY28-6†† Hydraulic: Y35, Y39 with U1CET Die Set | Non-Ratchet: MY28-6†† Hydraulic: Y35, Y39 with U25ET Die Set | Non-Ratchet: MY28-6†† Hydraulic: Y35, Y39 with U26ET Die Set |

†† BMY BNCH-MT bench mount adapter available.

BURNDY® Products FCI

Compression

TYPES T-F AND YAD-F

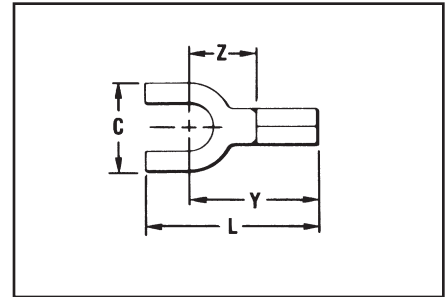
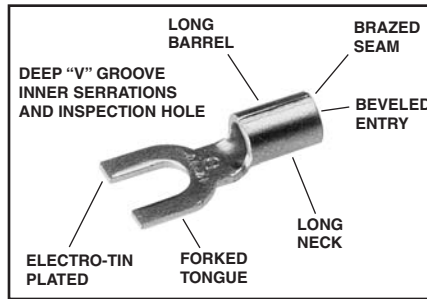
HYLUG™

UNINSULATED COMPRESSION TERMINAL, FORK TONGUE

B-26

Type T-F is constructed in the same manner as the type "T" and employs a fork tongue.

The fork permits rapid installation of the terminal under a screw head without completely removing the screw. Two or more terminals may be stacked easily on a common stud.



| CATALOG NUMBER | WIRE RANGE | STUD SIZE | DIMENSIONS | | | | BULK CAT. NO. | INSTALLATION TOOLING | WIRE STRIP LENGTH |
|----------------|------------|-----------|------------|--------|--------|--------|---------------|---|-------------------|
| | | | C | L MAX. | Y MAX. | Z MIN. | | | |
| T18-6F | 22-18 | 4-6 | .28 | .68 | .55 | .25 | YAD18-6F | Non-Ratchet: Y10D, Y10-22 Ratchet: MR8G9 Y8MRB-1, MR20 | 9/32" |
| T18-8F | | 6-8 | .31 | .74 | .57 | .27 | YAD18-8F | | |
| T18-10F | | 8-10 | .37 | .74 | .58 | .29 | YAD18-10F | | |
| T18-14F | 20-14 | | .47 | .92 | .69 | .39 | YAD18-14F | Non-Ratchet: Y10D, Y10-22 Ratchet: MR8G98, Y8MRB-1, MR20 | 9/32" |
| T14-6F | | 4-6 | .28 | .68 | .55 | .25 | YAD14-6F | | |
| T14-8F | | 6-8 | .31 | .74 | .57 | .27 | YAD14-8F | | |
| T14-10F | | 8-10 | .37 | .74 | .58 | .29 | YAD14-10F | | |
| T14-14F | 12-10 | | .47 | .92 | .69 | .39 | YAD14-14F | Non-Ratchet: Y10D, Y10-22 Ratchet: MRG98, Y8MRB-1, MR20 | 11/32" |
| T10-6F | | 4-6 | .28 | .74 | .61 | .25 | YAD10-6F | | |
| T10-8F | | 6-8 | .31 | .80 | .63 | .27 | YAD10-8F | | |
| T10-10F | | 8-10 | .41 | .87 | .68 | .32 | YAD10-10F | | |
| T10-14F | | | .50 | 1.00 | .75 | .39 | YAD10-14F | | |

TYPES YAV-T-F BOX AND YAV-T-F

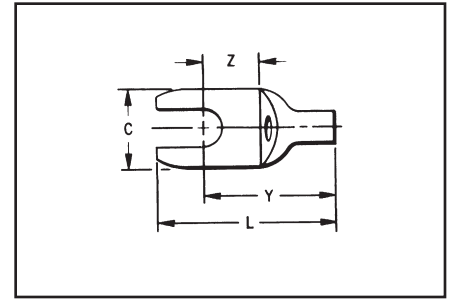
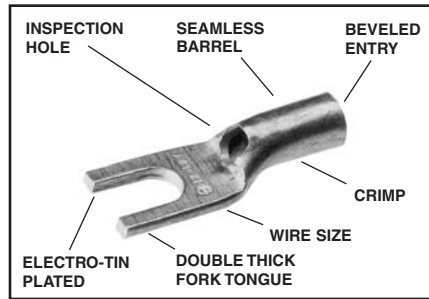
HYLUG™

SEAMLESS UNINSULATED COMPRESSION FORK TONGUE TERMINAL

The type YAV-T-F HYLUG™ is a seamless heavy duty uninsulated compression fork-tongue terminal manufactured from electrolytic copper for use on copper commercial (code) cable, Type AN aircraft cable and extra flexible conductors.

The seamless design produces a double thick tongue and the seamless barrel provides a strong highly reliable connection.

All the benefits of the Type YAV apply for the same wire sizes.



B-27

Features and Benefits

- Fork tongue.
 - ◇ Allows installation of compression terminal under screw head without complete removal of the screw.



| CATALOG NUMBER | WIRE RANGE | STUD SIZE | DIMENSIONS | | | | BULK CAT. NO. | INSTALLATION TOOLING | WIRE STRIP LENGTH |
|----------------|------------|-----------|------------|--------|--------|--------|---------------|---|-------------------|
| | | | C | L MAX. | Y MAX. | Z MIN. | | | |
| YAV18-T19F BOX | 22-18 | 4-6 | .31 | .80 | .55 | .25 | YAV18-T19F | Non-Ratchet: Y10D, Y10-22 | 9/32" |
| YAV18-T21F BOX | | 8-10 | .37 | .80 | .55 | .25 | YAV18-T21F | | 9/32" |
| YAV14-T32F BOX | 20-14 | 4-6 | .31 | .80 | .57 | .25 | YAV14-T32F | Ratchet: MR8-G98, MR8-9Q, MR20, Y8MRB-1 | 7/16" |
| YAV14-T34F BOX | | 8-10 | .37 | .82 | .60 | .26 | YAV14-T34F | | |
| YAV10-T21F BOX | 12-10 | 8-10 | .38 | .91 | .69 | .26 | YAV10-21F | | |
| YAV10-T23F BOX | | 1/4" | .47 | 1.00 | .75 | .34 | YAV10T23F | | |

TYPE YAV-H-F BOX, YAV-H-F AND YAV-Z

HYLUG™

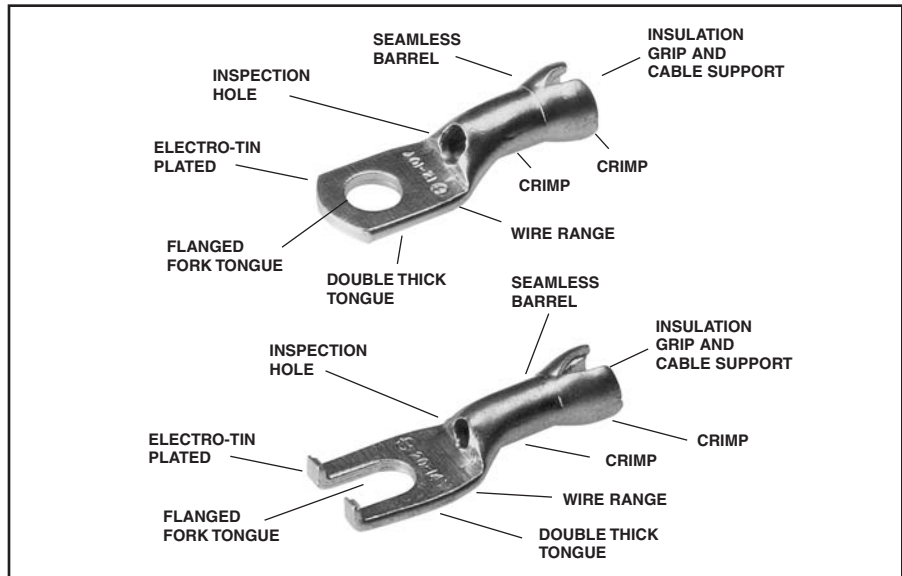
B-28

UNINSULATED COMPRESSION TERMINAL FORK TONGUE WITH SHROUD SEAMLESS

The type "YAV-H-F" HYLUG™ is a seamless heavy duty uninsulated compression fork tongue terminal with a shroud for an insulation grip and cable support. Manufactured from electrolytic copper tubing for use on copper commercial (code) cable, Type "AN" aircraft and extra flexible conductors.

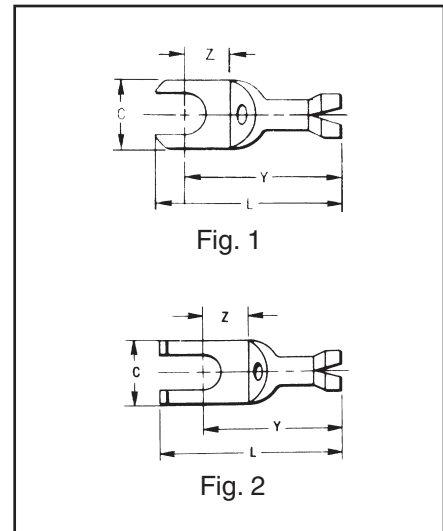
The seamless tubing produces a double thick tongue while the seamless barrel design provides a very strong connector for very demanding applications that require highly reliable connections.

In addition to the benefits described for the YAV box series of connectors the YAVH-F Box and YAV-Z terminals provide the following benefits.



Features and Benefits

- Fork tongue.
 - ◇ Allows installation of compression terminal under screw head without complete removal of the screw thereby lowering installation costs.
- Flanged fork tongue.
 - ◇ Allows installation of compression terminal under screw head without complete removal of the screw plus aids in maintaining the terminal on the stud should the screw loosen slightly.



| CATALOG NUMBER | FIG. | WIRE RANGE | STUD SIZE | MAX. INSUL. DIA. ACCOM. | DIMENSIONS | | | | BULK CAT. NO. | INSTALLATION TOOLING | WIRE STRIP LENGTH |
|----------------|------|------------|-----------|-------------------------|------------|--------|--------|--------|---------------|---|-------------------|
| | | | | | C | L MAX. | Y MAX. | Z MIN. | | | |
| YAV18-H6F BOX | 1 | 22-18 | 4-6 | .120 | .25 | .89 | .80 | .19 | YAV18-H6F | Plier: Y10D*, Y14MV, Y10-22* Ratchet: MR8-G98, MR8-9Q, Y8MRB-1*, MR20, and M8ND with N14HT-5 Die N10HT Die | 1/4" |
| YAV18-H19 BOX | 1 | | 4-6 | .120 | .30 | .97 | .75 | .21 | YAV18-H19F | | |
| YAV18-H21F BOX | 1 | | 8-10 | .120 | .37 | .97 | .76 | .22 | YAV18-H21F | | |
| YAV14-Z5 BOX | 2 | 20-14 | 4-6 | .150 | .31 | .89 | .69 | .13 | YAV14-Z5 | | |
| YAV14-H32F BOX | 1 | | 4-6 | .150 | .30 | .96 | .78 | .23 | YAV14-H32F | | |
| YAV14-H56F BOX | 1 | | 6-8 | .150 | .30 | .96 | .78 | .23 | YAV14-H56F | | |
| YAV14-H34F BOX | 1 | | 8-10 | .150 | .37 | .96 | .78 | .23 | YAV14-H34F | | |
| YAV14-HF BOX | 1 | | 8-10 | .150 | .31 | .93 | .78 | .23 | YAV14-HF | | |
| YAV14-Z6 BOX | 2 | | 8-10 | .150 | .37 | 1.04 | .78 | .21 | YAV14-Z6 | | |
| YAV10-HF BOX | 1 | | 12-10 | 8-10 | .192 | .38 | 1.07 | .92 | .24 | | |

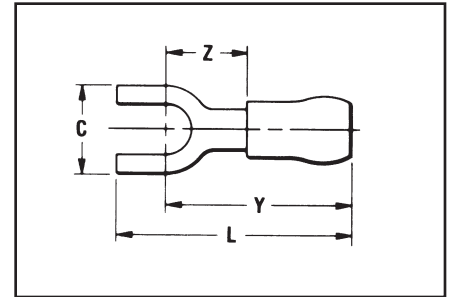
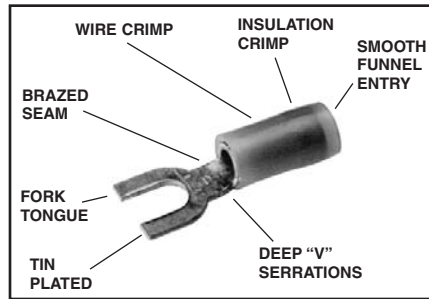
* Crimps conductor crimp only.

TYPES TN-F AND YAES-F

INSULUG™

TERMINAL - NYLON INSULATED, FORK TONGUE

300 VOLTS MAX. 105° C MAX



B-29

The type TN-F, nylon insulated fork tongue terminal has the same high quality as the TN. It is designed to meet the heavy-duty requirements of industrial and utility applications.

Used on both power and control circuits for wire sizes #26 AWG through #10 AWG. The TN-F provides high dielectric strength and stability in oily conditions.

The TN-F is identical to the TN with the addition of a fork tongue which allows installation without complete removal of its supporting screw.

Features and Benefits

- Fork tongue.
 - ◇ Provides faster and easier installation by permitting insertion under the screw head without completely removing it.



| CATALOG NUMBERS | WIRE RANGE | STUD SIZES | DIMENSIONS | | | | BULK CAT. NO. | INSTALLATION TOOLING | WIRE STRIP LENGTH |
|-----------------|---|------------|------------|--------|--------|--------|---------------|-------------------------------------|-------------------|
| | | | C | L MAX. | Y MAX. | Z MIN. | | | |
| TN20-2F* | 26-20 Max. Insul. Dia. Accom.: .098 Color Code: Amber | 1-2 | .18 | .76 | .65 | .24 | — | M8ND with N14HET-25V1 Die Set | 3/16" |
| TN20-6F* | | 4-6 | .28 | .80 | .70 | .28 | — | | |
| TN18-6F | 22-18 Max. Insul. | 4-6 | .28 | .79 | .65 | .24 | YAES18N1F | Non-Ratchet: Y10D, Y10-22 | 7/32" |
| TN18-8F | | 6-8 | .31 | .84 | .67 | .26 | YAES18N49F | | |
| TN18-10F | Dia. Accom.: .120 | 8-10 | .37 | .84 | .68 | .27 | YAES18N3F | | |
| TN18-14F | Color Code: Red | | .47 | 1.03 | .79 | .38 | YAES18N50F | | |
| TN14-6F | 16-14 Max. Insul. | 4-6 | .28 | .79 | .65 | .24 | YAES14N6F | | |
| TN14-8F | | 6-8 | .31 | .84 | .67 | .26 | YAES14N53F | | |
| TN14-10F | Dia. Accom.: .153 | 8-10 | .37 | .84 | .68 | .27 | YAES14N8F | | |
| TN14-14F | Color Code: Blue | | .47 | 1.03 | .79 | .38 | YAES14N54F | | |
| TN10-6F | 12-10 Max. Insul. | 4-6 | .28 | .96 | .82 | .24 | YAES10N11F | Ratchet: MR8-83**, MR18 | 11/32" |
| TN10-8F | | 6-8 | .31 | 1.01 | .84 | .26 | YAES10N56F | | |
| TN10-10F | Dia. Accom.: .209 | 8-10 | .41 | 1.09 | .89 | .31 | YAES10N12F | | |
| TN10-14F | Color Code: Yellow | | .50 | 1.21 | .96 | .38 | YAES10N57F | | |

* These sizes not UL listed.

** Or other tool conforming to military specification MS25037 or MS90413

TYPES YAE-N-F BOX AND YAE-N-F

INSULUG™

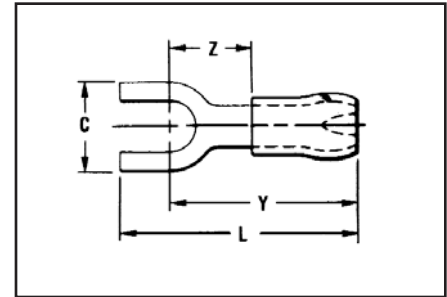
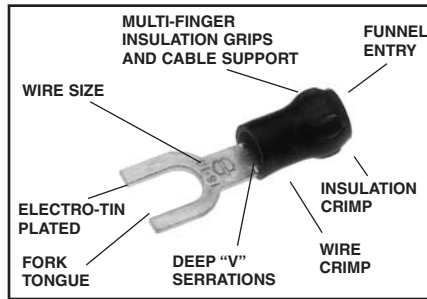
B-30

Terminal — Nylon Insulated, Fork Tongue

Multi-Finger Insulation Grip

300 Volts Max. 105° C Max.

INSULUG™ type YAE-N-F nylon insulated terminals are designed with a Multi-Finger Insulation grip, are rated 105° C and are supplied with a fork tongue for easy terminal insertion and removal.



Features and Benefits

- Fork tongue.
 - ◇ Permits rapid easy installation of the terminal under the screw head without complete removal of the screw.



| CATALOG NUMBER | WIRE RANGE | STUD SIZE | DIMENSIONS | | | | BULK CATALOG NUMBER | INSTALLATION TOOLING | TAPE MOUNTED CATALOG NO. 2000/Reel | INSTALLATION TOOLING | WIRE STRIP LENGTH |
|----------------|--|-----------|------------|--------|--------|--------|---------------------|--|------------------------------------|----------------------|-------------------|
| | | | C | L MAX. | Y MAX. | Z MIN. | | | | | |
| YAE22N65F BOX• | 24 - 20 Max. Insul. Dia.: .098" | 1 - 2 | .18 | .73 | .65 | .24 | YAE22N65F• | Ratchet: M8ND | YAE22N65FM• | TFM with DFM11D1 Die | 5/32" |
| YAE22N66F BOX• | Sleeve Color: Amber | 4 - 6 | .28 | .80 | .70 | .28 | YAE22N66F• | N14HET25V1 Die | YAE22N66FM• | TFM with DFM11D1 Die | |
| YAE18N60F BOX | 22 - 16 Max. Insul. Dia.: .125" Sleeve Color: Red | 4 | .21 | .92 | .73 | .24 | YAE18N60F | Non-Ratchet: Y10D or Ratchet: MR8-33T-1, M8ND With one of the following Dies: N14HET-25V1, N10ET-9, N14HET-15 | YAE18G60FM | TFM with DFM10D1 Die | 3/16" |
| YAE18G43F BOX | | 4 - 6 | .25 | .78 | .68 | .19 | YAE18G43F | | YAE18G43FM | | |
| YAE18N56F BOX | | 4 - 6 | .28 | .83 | .76 | .23 | YAE18N56F | | YAE18N56FM | | |
| YAE18N57F BOX | | 6 - 8 | .31 | .96 | .78 | .29 | YAE18N57F | | YAE18N57FM | | |
| YAE14N76F BOX | 16 - 14 Max. Insul. Dia.: .156" Sleeve Color: Blue | 4 - 6 | .28 | .87 | .76 | .26 | YAE14N76F | Non-Ratchet: Y10D or Y10-22 or Ratchet: MR8-33T1 | YAE14N76FM | TFM with DFM9D1 Die | 3/16" |
| YAE14N77F BOX | | 6 - 8 | .31 | .96 | .78 | .29 | YAE14N77F | | YAE14N77FM | | |
| YAE14N78F BOX | | 8 - 10 | .36 | 1.01 | .83 | .34 | YAE14N78F | | YAE14N78FM | | |

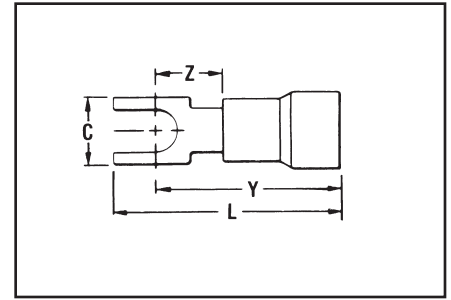
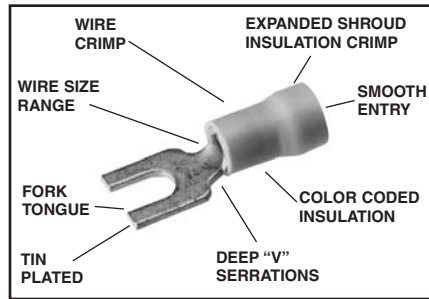
• Not UL recognized.

TYPES TP-F AND BA-EF

VINYLUTM

TERMINAL -
POLYVINYLCHLORIDE
INSULATED, FORK TONGUE

600 VOLTS MAX. 105° C MAX



B-31

Features and Benefits

The Type TP-F is a fork tongue variation of the TP design and makes installation easier.

- Fork tongue design.
 - ◇ Faster installation-screw needs only to be loosened for termination.



| CATALOG NUMBER | WIRE RANGE | STUD SIZE | DIMENSIONS | | | | BULK CATALOG NUMBER • | INSTALLATION TOOLING | TAPE MOUNTED CATALOG NO. 2000/Reel | INSTALLATION TOOLING | WIRE STRIP LENGTH |
|----------------|--------------------|-----------|------------|--------|--------|--------|-----------------------|------------------------------------|------------------------------------|-------------------------------|-------------------|
| | | | C | L MAX. | Y MAX. | Z MIN. | | | | | |
| TP16-2F | 22-16 | 1-2 | .17 | .75 | .66 | .23 | BA16EF2 | Plier Type: Y10-22 | BA16EF2M | TFM with DFM3D-1 Die | 13/64" |
| TP16-6F | Max. Insul. | 4-6 | .28 | .80 | .66 | .23 | BA16EF6 | | BA16EF6M | | |
| TP16-8F | Dia. Accom.: .145 | 6-8 | .31 | .86 | .69 | .26 | BA16EF8 | | BA16EF8M | | |
| TP16-10F | Color Code: Red | 8-10 | .41 | .95 | .75 | .31 | BA16EF10 | | BA16EF10M | | |
| TP14-2F | 16-14 | 1-2 | .17 | .75 | .66 | .23 | BA14EF2 | Ratchet Tool: MR8-89-1, MR15 | BA14EF2M | TFM with DFM2D-1 Die | 13/64" |
| TP14-6F | Max. Insul. | 4-6 | .28 | .80 | .66 | .23 | BA14EF6 | | BA14EF6M | | |
| TP14-8F | Dia. Accom.: .180 | 6-8 | .31 | .86 | .69 | .26 | BA14EF8 | | BA14EF8M | | |
| TP14-10F | Color Code: Blue | 8-10 | .41 | .95 | .75 | .31 | BA14EF10 | | BA14EF10M | | |
| TP10-6F | 12-10 | 4-5 | .28 | .95 | .81 | .26 | BA10EF6 | *BA10EF6M | TFM with DFM1D5 Die | 19/64" | |
| TP10-8F | Max. Insul. | 6-8 | .31 | .98 | .81 | .26 | BA10EF8 | *BA10EF8M | | | |
| TP10-10F | Color Code: Yellow | 8-10 | .41 | 1.07 | .87 | .31 | BA10EF10 | *BA10EF10M | | | |

• UL and CSA listed with MR8-89-1 and MR15.
* 1000/Reel.

TYPES YAE-Z BOX AND YAE-Z

INSULUG™

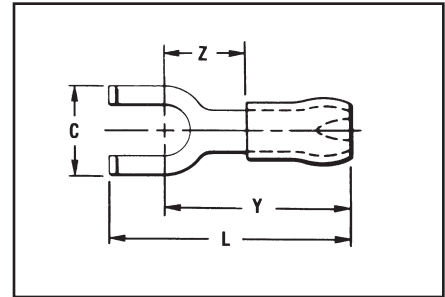
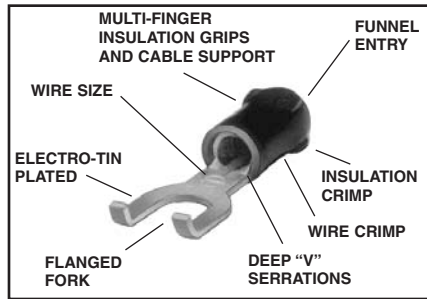
B-32

TERMINAL -
NYLON INSULATED,
FLANGED FORK

MULTI-FINGER
INSULATION GRIP

300 VOLTS MAX. 105° C MAX

INSULUG™ type YAE-Z is identical to type YAE-N and employs a flanged fork tongue for faster installation while maintaining security if supporting screw becomes loose.



Features and Benefits

- Flanged fork.
 - ◇ Permits rapid, easy installation of the terminal under the screw head without complete removal of the screw. Additionally, it may not be removed with only a slight loosening of the screw.



| CATALOG NUMBER | WIRE RANGE | STUD SIZE | DIMENSIONS | | | | BULK CATALOG NUMBER | INSTALLATION TOOLING |
|----------------|---------------------|-----------|------------|--------|--------|--------|---------------------|--|
| | | | C | Z MAX. | Y MAX. | L MAX. | | |
| YAE22Z1 BOX | 26-20 Max. Insul. | 1-2 | .18 | .24 | .65 | .75 | YAE22Z1 | M8ND with N14HET-25V1 Die Y10D, Y10-22 |
| YAE22Z2 BOX | Dia.: .098" | 4-6 | .28 | .28 | .70 | .83 | YAE22Z2 | |
| YAE22Z3 BOX | Sleeve Color: Amber | 6-8 | .31 | .30 | .72 | .92 | YAE22Z3 | |
| YAE18Z1 BOX | 22-16 Max. Insul. | 1-2 | .18 | .22 | .73 | .83 | YAE18Z1 | MR8-33T-1, M8ND with one of the following Dies: N14HET-15, N10HET-9, Y10D, Y10-22 |
| YAE18Z2 BOX | Dia. Accom.: (125) | 4-6 | .28 | .26 | .76 | 1.00 | YAE18Z2 | |
| YAE18Z3 BOX | Color Code: Red | 6-8 | .31 | .29 | .78 | 1.00 | YAE18Z3 | |
| YAE18Z4 BOX | | 8-10 | .36 | .34 | .83 | 1.08 | YAE18Z4 | |
| YAE14Z2 BOX | 16-14 Max. Insul. | 4-6 | .28 | .26 | .76 | .90 | YAE14Z2 | MR833T-1, M8ND with N12HET-1, Y10D, Y10-22 |
| YAE14Z3 BOX | Dia. Accom.: (156) | 6-8 | .31 | .29 | .78 | 1.00 | YAE14Z3 | |
| YAE14Z4 BOX | Color Code: Blue | 8-10 | .36 | .34 | .83 | 1.08 | YAE14Z4 | |
| YAE12Z2 BOX | 14-12 Max. Insul. | 4-6 | .28 | .27 | .90 | 1.04 | YAE12Z2 | MR833T-1, M8ND with N12HET-1, Y10D, Y10-22 |
| YAE12Z3 BOX | Dia. Accom.: (180) | 6-8 | .31 | .32 | .96 | 1.16 | YAE12Z3 | |
| YAE12Z4 BOX | Color Code: Green | 8-10 | .36 | .35 | 1.00 | 1.23 | YAE12Z4 | |

• Not UL recognized.

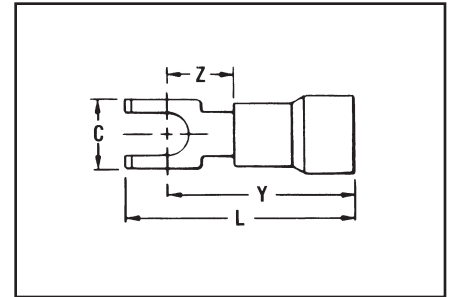
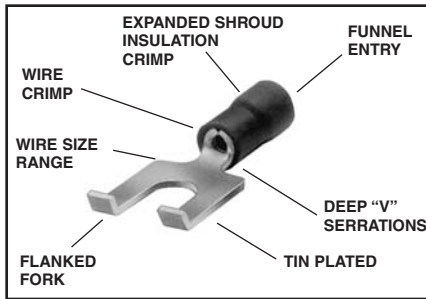
TYPES TP-Z AND BA-EZ

VINYLUG™

TERMINAL -
POLYVINYLCHLORIDE
INSULATED, FLANGED
FORK TONGUE

600 VOLTS MAX. 105° C MAX

VINYLUG™ Type TP-Z is a variation of the Type TP and employs a flanged fork tongue for fast installation and security.



Features and Benefits

- Flange fork tongue design.
 - ◇ Allows fast installation—screw only has to be loosened for termination.
- The flanges on the end of the fork terminal aid in preventing a slightly loose terminal from becoming fully disconnected from the screw.
 - ◇ Flanges make re-securing a loose terminal easier.

| CATALOG NUMBER | WIRE RANGE | STUD SIZE | DIMENSIONS | | | | BULK CATALOG NUMBER | INSTALLATION TOOLING |
|----------------|--------------------|-----------|------------|--------|--------|--------|---------------------|---|
| | | | C | L MAX. | Y MAX. | Z MIN. | | |
| TP16-2Z | 22-16 | 1-2 | .17 | .78 | .66 | .23 | BA16EZ2 | Plier Type: Y10-22 Ratchet Tool: MR8-89-1, MR15 |
| TP16-6Z | Max. Insul. | 4-6 | .28 | .83 | .66 | .23 | BA16EZ6 | |
| TP16-8Z | Dia. Accom.: .145 | 6-8 | .31 | .88 | .69 | .26 | BA16EZ8 | |
| TP16-10Z | Color Code: Red | 8-10 | .41 | .96 | .75 | .31 | BA16EZ10 | |
| TP14-2Z | 16-14 | 1-2 | .17 | .78 | .66 | .23 | BA14EZ2 | |
| TP14-6Z | Max. Insul. | 4-6 | .28 | .83 | .66 | .23 | BA14EZ6 | |
| TP14-8Z | Dia. Accom.: .180 | 6-8 | .31 | .88 | .69 | .26 | BA14EZ8 | |
| TP14-10Z | Color Code: Blue | 8-10 | .41 | .96 | .75 | .31 | BA14EZ10 | |
| TP10-6Z | 12-10 Max. Insul. | 4-6 | .28 | .99 | .81 | .26 | BA10EZ6 | |
| TP10-8Z | Dia. Accom.: .260 | 6-8 | .31 | 1.01 | .81 | .26 | BA10EZ8 | |
| TP10-10Z | Color Code: Yellow | 8-10 | .41 | 1.09 | .81 | .31 | BA10EZ10 | |

* 1000/Reel.

BURNDY® Products FCI

Compression

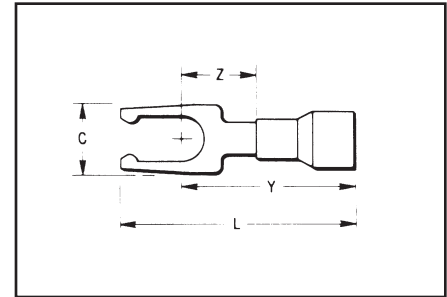
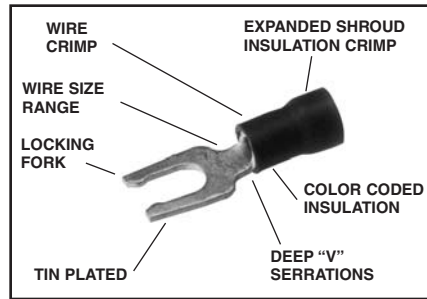
TYPES TP-LF AND BA-EL

VINYLUTM

TERMINAL -
POLYVINYLCHLORIDE
INSULATED,
LOCKING FORK TONGUE

600 VOLTS MAX. 105° C MAX

Type TP-LF is a variation of the Type TP design and employs a locking fork tongue for fast installation and security.



Features and Benefits

- Locking fork tongue design.
 - ◇ Allows fast installation—screw only has to be loosened for termination.
- Internal configuration of the fork.
 - ◇ Prevents the terminal from coming off the screw without applying a pulling force.
- Locking fork is made from a copper alloy.
 - ◇ Permits many installations while maintaining proper spring retention of forks.

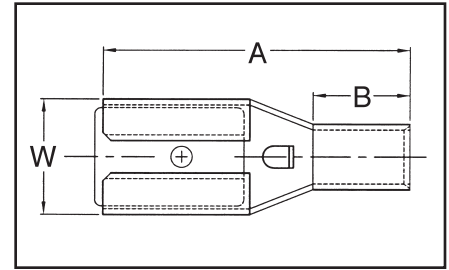
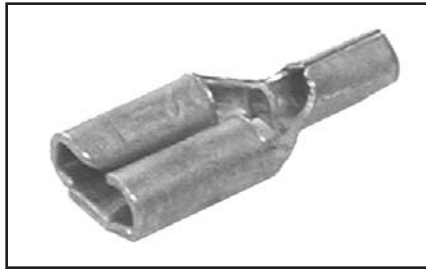
| CATALOG NUMBER | WIRE RANGE | STUD SIZE | DIMENSIONS | | | | BULK CATALOG NUMBER * | INSTALLATION TOOLING | TAPE MOUNTED CATALOG NO. 2000/Reel | INSTALLATION TOOLING | WIRE STRIP LENGTH |
|----------------|---|-----------|------------|--------|--------|--------|-----------------------|--------------------------------------|------------------------------------|-------------------------------|-------------------|
| | | | C | L MAX. | Y MAX. | Z MIN. | | | | | |
| TP16-6LF | 22-16 MAX. INSUL. DIA. ACCOM.: .145 COLOR CODE: Red | 4-6 | .28 | .80 | .66 | .23 | BA16EL6 | PLIER TYPE: Y10-22 | BA16EL6M | TFM WITH DFM3D-1 DIE | 13/64" |
| TP16-8LF | | 6-8 | .31 | .86 | .69 | .26 | BA16EL8 | | BA16EL8M | | |
| TP16-10LF | | 8-10 | .41 | .95 | .75 | .31 | BA16EL10 | | BA16EL10M | | |
| TP14-6LF | 16-14 MAX. INSUL. DIA. ACCOM.: .180 COLOR CODE: Blue | 4-6 | .28 | .80 | .66 | .23 | BA14EL6 | RATCHET TOOL: MR8-89-1 MR15 | BA14EL6M | TFM WITH DFM2D-1 DIE | 13/64" |
| TP14-8LF | | 6-8 | .31 | .86 | .69 | .26 | BA14EL8 | | BA14EL8M | | |
| TP14-10LF | | 8-10 | .41 | .95 | .75 | .31 | BA14EL10 | | BA14EL10M | | |
| TP10-6LF | 12-10 MAX. INSUL. DIA. ACCOM.: .260 COLOR CODE: Yellow | 4-6 | .28 | .95 | .81 | .26 | BA10EL6 | | * BA10EL6M | TFM WITH DFM1D5 DIE | 19/64" |
| TP10-8LF | | 6-8 | .31 | .98 | .81 | .26 | BA10EL8 | | * BA10EL8M | | |
| TP10-10LF | | 8-10 | .41 | 1.07 | .87 | .31 | BA10EL10 | | * BA10EL10M | | |

* UL and CSA listed with MR8-89-1 and MR15.
* 1000/Reel.

TYPE Q-F FINGRIP™

NON-INSULATED FEMALE QUICK DISCONNECTS

MATERIAL: TIN-PLATED BRASS



B-35



Features and Benefits

- Butted seam.
- Chamfered barrel opening.
 - ◊ Assures quick and easy wire insertion.
- Dimpled female socket detent.
 - ◊ Ensures firm grip.

FEMALE BARE DISCONNECT TERMINAL

(Mates with Type Q-M male disconnects)

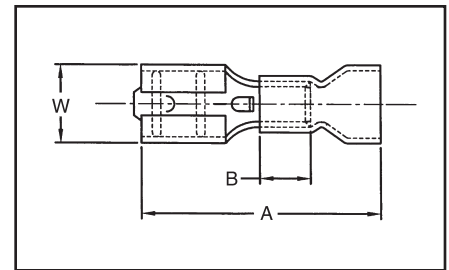
| STANDARD CATALOG NO. | STD. PKG. QTY. | WIRE RANGE | NEMA TAB SIZE | DIMENSIONS | | | BULK CATALOG NO. | BULK QTY. | INSTALLATION TOOL* |
|----------------------|----------------|------------|---------------|------------|------|------|------------------|-----------|--------------------|
| | | | | A | B | W | | | |
| Q18F18X02D | 100 | 18-22 | .187 × .020 | 0.58 | 0.17 | 0.23 | Q18F18X02B | 1000 | MR20, Y10D |
| Q18F25X03D | | | .250 × .032 | 0.62 | 0.17 | 0.29 | Q18F25X03B | | |
| Q14F11X02D | 100 | 14-16 | .110 × .020 | 0.55 | 0.17 | 0.14 | Q14F11X02B | | |
| Q14F18X02D | | | .187 × .020 | 0.58 | 0.17 | 0.20 | Q14F18X02B | | |
| Q14F18X02D | | | .187 × .020 | 0.58 | 0.17 | 0.20 | Q14F18X02B | | |
| Q14F25X03D | | | .250 × .032 | 0.62 | 0.17 | 0.29 | Q14F25X03B | | |

* For UL listed applications consult BURNDY® factory.

TYPE QP-F FINGRIP™

VINYL INSULATED FEMALE QUICK DISCONNECTS

MATERIAL: TIN-PLATED BRASS
600 VOLTS MAX. 105° C MAX.



Features and Benefits

- Butted seam.
- Insulated connectors.
 - ◊ Eliminate the need for post installation insulation.
- Funnel entry barrel opening.
 - ◊ Assures quick and easy wire insertion.
- Dimpled female socket detent.
 - ◊ Ensures firm grip.



FEMALE VINYL DISCONNECT TERMINAL

(Mates with Type QP-M male disconnects)

| STANDARD CATALOG NO. | STD. PKG. QTY. | WIRE RANGE | NEMA TAB SIZE | DIMENSIONS | | | BULK CATALOG NO. | BULK PKG. QTY. | INSTALLATION TOOL* |
|----------------------|----------------|------------|---------------|------------|------|------|------------------|----------------|--------------------|
| | | | | A | B | W | | | |
| QP18F18X02D | 100 | 18-22 | .187 × .020 | 0.86 | 0.17 | 0.22 | QP18F18X02B | 1000 | Y10D |
| QP18F25X03D | | | .250 × .032 | 0.91 | 0.17 | 0.29 | QP18F25X03B | | |
| QP14F18X02D | 100 | 14-16 | .187 × .020 | 0.87 | 0.17 | 0.23 | QP14F18X02B | | |
| QP14F18X02D | | | .187 × .020 | 0.87 | 0.17 | 0.23 | QP14F18X02B | | |
| QP14F18X02D | | | .187 × .020 | 0.87 | 0.17 | 0.23 | QP14F18X02B | | |
| QP14F25X03D | | | .250 × .032 | 0.92 | 0.17 | 0.29 | QP14F25X03B | | |

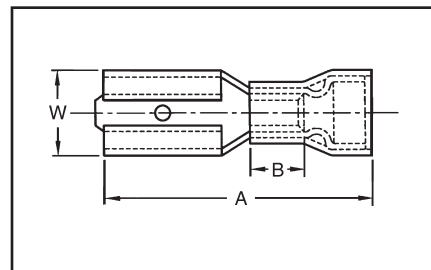
* For UL listed applications consult BURNDY® factory.

TYPE QN-F FINGRIP™

NYLON INSULATED FEMALE QUICK DISCONNECTS

B-36

MATERIAL: TIN-PLATED
BRASS
300 VOLTS MAX. 105°C MAX.



Features and Benefits

- Sleeved barrel.
- Insulated connectors.
 - ◊ Eliminate the need for post installation insulation.
- Funnel entry barrel opening.
 - ◊ Assures quick and easy wire insertion.
- Dimpled female socket detent.
 - ◊ Ensures firm grip.

FEMALE NYLON DISCONNECT TERMINAL

(Mates with Type QN-M male disconnects)

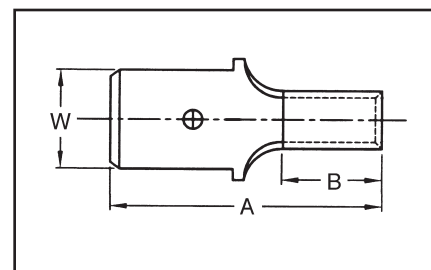
| STANDARD CATALOG NO. | STD. PKG. QTY. | WIRE RANGE | NEMA TAB SIZE | DIMENSIONS | | | BULK CATALOG NO. | BULK PKG. QTY. | INSTALLATION TOOL* |
|----------------------|----------------|------------|---------------|------------|------|------|------------------|----------------|--------------------|
| | | | | A | B | W | | | |
| QN18F18X02D | 100 | 18-22 | .187 × .020 | 0.86 | 0.17 | 0.22 | QN18F18X02B | 1000 | Y10D |
| QN18F25X03D | | | .250 × .032 | 0.91 | 0.17 | 0.29 | QN18F25X03B | | |
| QN14F18X02D | 100 | 14-16 | .187 × .020 | 0.87 | 0.17 | 0.23 | QN14F18X02B | | |
| QN14F25X03D | | | .250 × .032 | 0.92 | 0.17 | 0.29 | QN14F25X03B | | |

* For UL listed applications consult BURNDY® factory.

TYPE Q-M FINGRIP™

NON-INSULATED MALE QUICK DISCONNECTS

MATERIAL: TIN-PLATED
BRASS



Features and Benefits

- Butted seam.
- Chamfered barrel opening.
 - ◊ Assures quick and easy wire insertion.
- Mates with dimpled female socket detent.
 - ◊ Ensures firm grip.

MALE BARE DISCONNECT TERMINAL

(Mates with Type Q-F female disconnects)

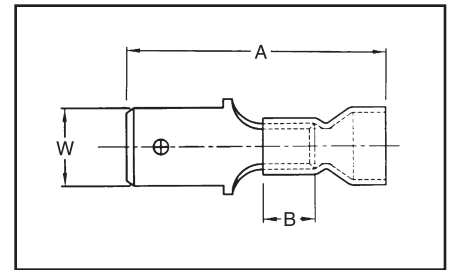
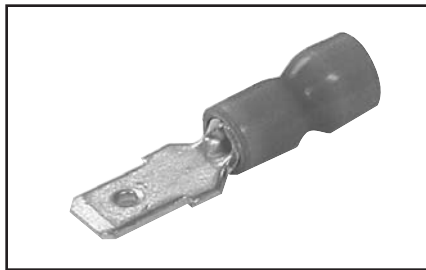
| STANDARD CATALOG NO. | STD. PKG. QTY. | WIRE RANGE | NEMA TAB SIZE | DIMENSIONS | | | BULK CATALOG NO. | BULK PKG. QTY. | INSTALLATION TOOL* |
|----------------------|----------------|------------|---------------|------------|------|------|------------------|----------------|--------------------|
| | | | | A | B | W | | | |
| Q18M18X02D | 100 | 18-22 | .187 × .020 | 0.55 | 0.17 | 0.19 | Q18M18X02B | 1000 | MR20, Y10D |
| Q18M25X03D | | | .250 × .032 | 0.67 | 0.17 | 0.25 | Q18M25X03B | | |
| Q14M18X02D | 100 | 14-16 | .187 × .020 | 0.55 | 0.17 | 0.19 | Q14M18X02B | | |
| Q14M25X03D | | | .250 × .032 | 0.67 | 0.17 | 0.25 | Q14M25X03B | | |

* For UL listed applications consult BURNDY® factory.

TYPE QP-M FINGRIP™

VINYL INSULATED MALE QUICK DISCONNECTS

MATERIAL: TIN-PLATED
BRASS
600 VOLTS MAX. 105° C MAX.



Features and Benefits

- Butted seam.
- Funnel entry barrel opening.
 - ◇ Assures quick and easy wire insertion.
- Mates with dimpled female socket detent.
 - ◇ Ensures firm grip.

B-37

MALE VINYL DISCONNECT TERMINAL

(Mates with Type QP-F female disconnects)

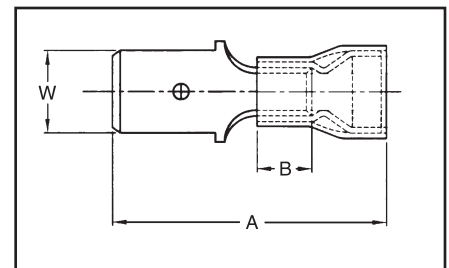
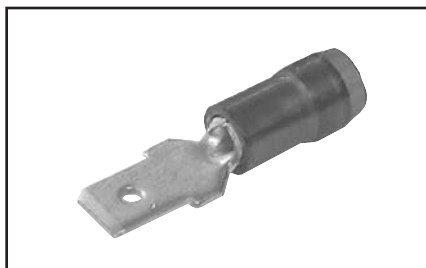
| STANDARD CATALOG NO. | STD. PKG. QTY. | WIRE RANGE | NEMA TAB SIZE | DIMENSIONS | | | BULK CATALOG NO. | BULK PKG. QTY. | INSTALLATION TOOL* |
|----------------------|----------------|------------|---------------|------------|------|------|------------------|----------------|--------------------|
| | | | | A | B | W | | | |
| QP18M18X02D | 100 | 18-22 | .187 × .020 | 0.83 | 0.17 | 0.19 | QP18M18X02B | 1000 | Y10D |
| QP18M25X03D | | | .250 × .032 | 0.95 | 0.17 | 0.25 | QP18M25X03B | | |
| QP14M18X02D | 100 | 14-16 | .187 × .020 | 0.83 | 0.17 | 0.19 | QP14M18X02B | | |
| QP14M25X03D | | | .250 × .032 | 0.95 | 0.17 | 0.25 | QP14M25X03B | | |

* For UL listed applications consult BURNDY® factory.

TYPE QN-M FINGRIP™

NYLON INSULATED MALE QUICK DISCONNECTS

MATERIAL: TIN-PLATED
BRASS
300 VOLTS MAX. 105° C MAX.



Features and Benefits

- Sleeved barrel.
- Funnel entry barrel opening.
 - ◇ Assures quick and easy wire insertion.
- Mates with dimpled female socket detent.
 - ◇ Ensures firm grip.

MALE NYLON DISCONNECT TERMINAL

(Mates with Type QN-F female disconnects)

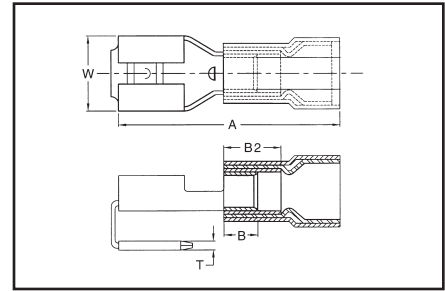
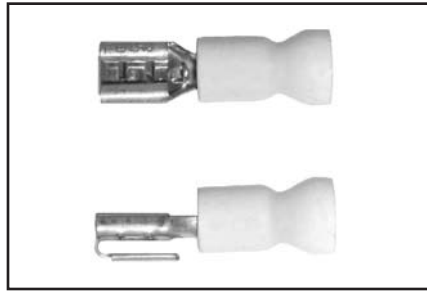
| STANDARD CATALOG NO. | STD. PKG. QTY. | WIRE RANGE | NEMA TAB SIZE | DIMENSIONS | | | BULK CATALOG NO. | BULK PKG. QTY. | INSTALLATION TOOL* |
|----------------------|----------------|------------|---------------|------------|------|------|------------------|----------------|--------------------|
| | | | | A | B | W | | | |
| QN18M18X02D | 100 | 18-22 | .187 × .020 | 0.82 | 0.17 | 0.19 | QN18M18X02B | 1000 | Y10D |
| QN18M25X03D | | | .250 × .032 | 0.91 | 0.17 | 0.25 | QN18M25X03B | | |
| QN14M18X02D | 100 | 14-16 | .187 × .020 | 0.84 | 0.17 | 0.19 | QN14M18X02B | | |
| QN14M25X03D | | | .250 × .032 | 0.91 | 0.17 | 0.25 | QN14M25X03B | | |

* For UL listed applications consult BURNDY® factory.

TYPES PGP, AND PGN FINGRIP™

MALE/FEMALE COMBINATION QUICK DISCONNECTS

B-38 MATERIAL: TIN-PLATED BRASS



Features and Benefits

- Sleeved barrel.
- Combination connector.
 - ◇ Allows for more than one connection to a circuit.
- Funnel entry barrel opening.
 - ◇ Assures quick and easy wire insertion.
- Dimpled female socket detent.
 - ◇ Ensures firm grip.



VINYL COMBINATION DISCONNECT TERMINAL

600 VOLTS MAX. 105° C MAX.

| STANDARD CATALOG NO. | STD. PKG. QTY. | WIRE RANGE | NEMA TAB SIZE | DIMENSIONS | | | BULK CATALOG NO. | BULK PKG. QTY. | INSTALLATION TOOL* |
|----------------------|----------------|------------|---------------|------------|------|------|------------------|----------------|--------------------|
| | | | | A | B | W | | | |
| PGP1825X03D | 100 | 18-22 | .250 × .032 | 0.91 | 0.17 | 0.30 | PGP1825X03B | 1000 | Y10D |
| PGP1425X03D | 100 | 14-16 | .250 × .032 | 0.91 | 0.17 | 0.30 | PGP1425X03B | 1000 | |

NYLON COMBINATION DISCONNECT TERMINAL

300 VOLTS MAX. 105° C MAX.

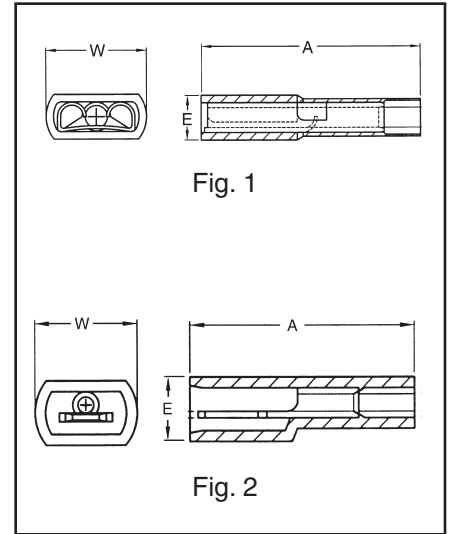
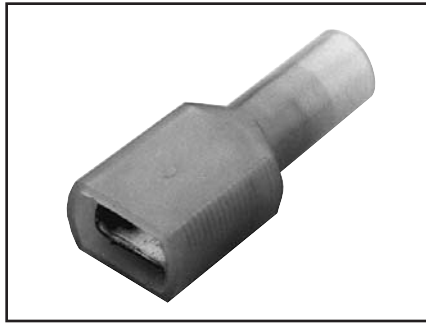
| STANDARD CATALOG NO. | STD. PKG. QTY. | WIRE RANGE | NEMA TAB SIZE | DIMENSIONS | | | BULK CATALOG NO. | BULK PKG. QTY. | INSTALLATION TOOL* |
|----------------------|----------------|------------|---------------|------------|------|------|------------------|----------------|--------------------|
| | | | | A | B | W | | | |
| PGN1825X03D | 100 | 18-22 | .250 × .032 | 0.90 | 0.17 | 0.30 | PGN1825X03B | 1000 | Y10D |
| PGN1425X03D | 100 | 14-16 | .250 × .032 | 0.90 | 0.17 | 0.30 | PGN1425X03B | 1000 | |

* For UL listed applications consult BURNDY® factory.

TYPES FQN-F AND FQN-M FINGRIP™

NYLON FULLY INSULATED FEMALE AND MALE QUICK DISCONNECTS

MATERIAL: TIN-PLATED BRASS
300 VOLTS MAX. 105° C MAX.



Features and Benefits

- Fully insulated connectors.
 - ◇ Eliminate the need for post installation insulation.
- Funnel entry barrel opening.
 - ◇ Assures quick and easy wire insertion.
- Dimpled female socket detent.
 - ◇ Ensures firm grip.

B-39

FULLY INSULATED FEMALE NYLON DISCONNECT TERMINAL (Fig. 1)

| STANDARD CATALOG NO. | STD. PKG. QTY. | WIRE RANGE | NEMA TAB SIZE | DIMENSIONS | | BULK CATALOG NO. | BULK PKG. QTY. | INSTALLATION TOOL* |
|------------------------------|----------------|------------|---------------|------------|------|------------------------------|----------------|--------------------|
| | | | | A | W | | | |
| FQN18F25X03D | 50 | 18-22 | .250 × .032 | 0.98 | 0.40 | FQN18F25X03B | 1000 | Y10D |
| FQN14F25X03D | 50 | 14-16 | .250 × .032 | 0.96 | 0.40 | FQN14F25X03B | 1000 | |
| FQN10F25X03D | 25 | 10-12 | .250 × .032 | 0.99 | 0.41 | FQN10F25X03B | 500 | |

FULLY INSULATED MALE NYLON DISCONNECT TERMINAL (Fig. 2)

| STANDARD CATALOG NO. | STD. PKG. QTY. | WIRE RANGE | NEMA TAB SIZE | DIMENSIONS | | BULK CATALOG NO. | BULK PKG. QTY. | INSTALLATION TOOL* |
|------------------------------|----------------|------------|---------------|------------|------|------------------------------|----------------|--------------------|
| | | | | A | W | | | |
| FQN18M25X03D | 50 | 18-22 | .250 × .032 | 1.05 | 0.48 | FQN18M25X03B | 1000 | Y10D |
| FQN14M25X03D | 50 | 14-16 | .250 × .032 | 1.03 | 0.48 | FQN14M25X03B | 1000 | |
| FQN10M25X03D | 25 | 10-12 | .250 × .032 | 1.03 | 0.48 | FQN10M25X03B | 500 | |

* For UL listed applications consult BURNDY® factory.

** For Mylar tape reels consult BURNDY® factory.

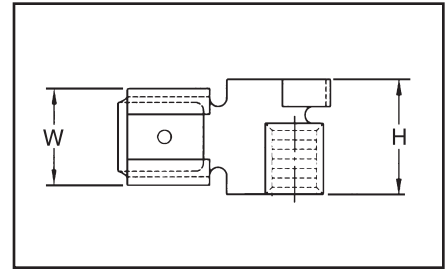
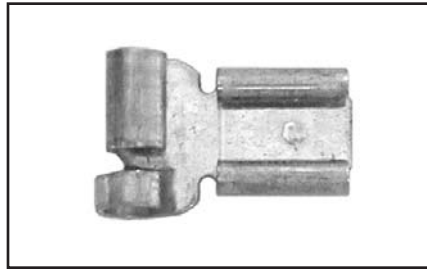
BURNDY® Products FCI

Compression

TYPE FL FINGRIP™

FLAG-STYLE FEMALE QUICK DISCONNECT

MATERIAL: TIN-PLATED
BRASS



Features and Benefits

- Dimpled female socket detent.
- ◊ Ensures firm grip.



B-40

FEMALE BARE DISCONNECT TERMINAL

| STANDARD CATALOG NO. | STD. PKG. QTY. | WIRE RANGE | NEMA TAB SIZE | DIMENSIONS | | | BULK CATALOG NO. | BULK PKG. QTY. | INSTALLATION TOOL |
|----------------------|----------------|------------|---------------|------------|------|------|------------------|----------------|--------------------|
| | | | | A | B | W | | | |
| FL1825X03D | 100 | 18-22 | .250 × .032 | 0.67 | 0.17 | 0.25 | FL1825X03B | 1000 | Consult Factory |
| FL1425X03D | 100 | 14-16 | .250 × .032 | 0.67 | 0.17 | 0.25 | FL1425X03B | 1000 | |
| FL1025X03D * | 50 | 10-12 | .250 × .032 | 0.67 | 0.17 | 0.25 | FL1025X03B | 500 | |

* Not UL listed or CSA approved.

UNINSULATED SPLICES

BURNDY® manufactures several designs of uninsulated butt splices. Each type is designed to meet specific application requirements and provide a high quality, electrical splice connection that is easily installed. The following features and benefits apply to all BURNDY® uninsulated splices.

Features and Benefits

- Manufactured from seamless tubing.
 - ◇ A high quality design with no seams to split.
- Electrolytic copper.
 - ◇ Provides maximum conductivity, low resistance and ductility for excellent crimp forming properties.
- Electro-tin plated.
 - ◇ Provides durable long lasting resistance to corrosion.
- Positive center wire stops.
 - ◇ Provides proper depth of wire insertion.
- Marked with wire size.
 - ◇ Provides easy wire size identification.
- The HYLINK™ splice connectors have inspection holes.
 - ◇ Provides easy visual inspection for proper wire insertion.

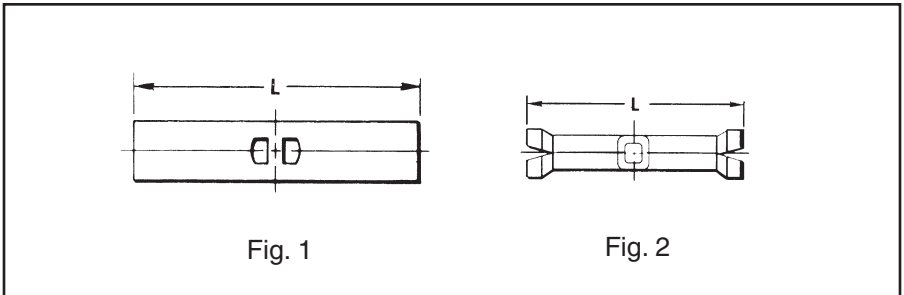
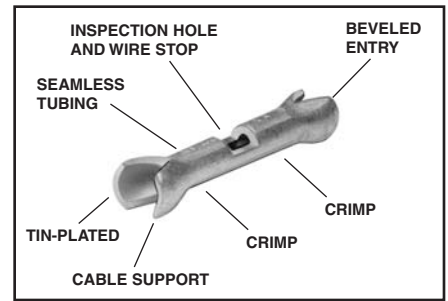
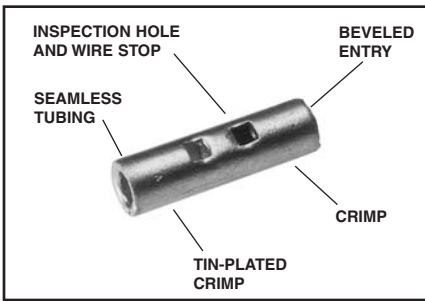
TYPES YSV, YSV-H AND YSV-L

HYLINK™

UNINSULATED BUTT SPLICE 600 VOLTS MAXIMUM

HYLINK™ type YSV seamless splice connector is used to splice stranded and solid copper conductors in virtually all heavy duty industrial and general purpose applications.

The type YSV-H HYLINK™ seamless splice connector has the added benefit of an insulation support and cable strain relief.



| CATALOG NUMBER | WIRE RANGE CODE AWG. STR. AND SOL. AIRCRAFT-AN | FIG. | DIMENSIONS | | BULK CAT. NO. | INSTALLATION TOOLING HYTOOL | WIRE STRIP LENGTH |
|----------------|--|------|------------|-----------|---------------|--|-------------------|
| | | | L | MAX. DIA. | | | |
| YSV18 BOX | 22-18 | 1 | .62 | — | YSV18 | Non-Ratchet: Y10D, Y1022 Ratchet: MR20, Y8MRB-1, MR8-9Q*, MR8-G98 | 1/4" |
| YSV18-H BOX | str. & sol. | 2 | .89 | .120 | YSV18-H | | |
| YSV14 BOX | 20-14 str. | 1 | .64 | — | YSV14 | Non-Ratchet: MY28, MY29-3, MY29-11 Ratchet: MY28, Y8MRB-1†, MR8-9Q*, Y2MR ▲ | 1/4" |
| YSV14-H BOX | 20-12 sol. | 2 | .94 | .150 | YSV14-H | | |
| YSV10 BOX | 12-10 | 1 | .75 | — | YSV10 | Non-Ratchet: MY28, MY29-3, MY29-11 Ratchet: MY28, Y8MRB-1†, MR8-9Q*, Y2MR ▲ | 5/16" |
| YSV10-H BOX | str. & sol. | 2 | 1.06 | .192 | YSV10-H | | |
| YSV9C-L BOX | 9 str. | 1 | .75 | — | YSV9C-L | Non-Ratchet: MY28, MY29-3, MY29-11 Ratchet: MY28, Y8MRB-1†, MR8-9Q*, Y2MR ▲ | 5/16" |
| YSV8C-L BOX | 8 str. | 1 | 1.00 | — | YSV8C-L | | |

* Remove stop plate.
 ▲ Y2MR for 8 str. only
 † Use #10 groove
 Use MR8 series tools for (-H) series.

BURNDY® Products FCI

Compression

TYPE YSV-L

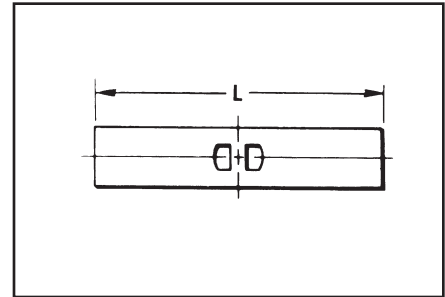
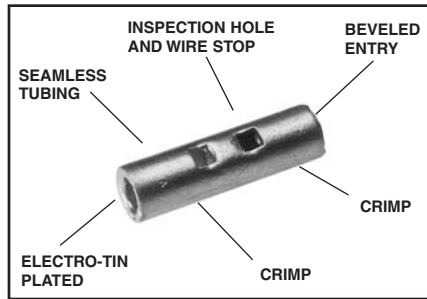
HYLINK™

UNINSULATED BUTT SPLICE
600 VOLTS MAXIMUM

B-42

#8 THROUGH 4/0 COPPER

HYLINK™ type YSV-L seamless splice connector is used to splice Type AN aircraft cables plus commercial stranded and solid AWG conductors. Suitable for aircraft, light duty industrial and general purpose applications.



| CATALOG NUMBER | WIRE RANGE AIRCRAFT-AN" COMM'L-AWG. STR. & SOL. | DIMENSIONS L | BULK CAT. NO. | INSTALLATION TOOLING | | | | Y34PA WIRE STRIP LENGTH |
|----------------|---|--------------|---------------|----------------------|--|---------------------------------|----------|-------------------------|
| | | | | RATCHET | HYTOOL ** | HYPRESS® H35, Y35BH, Y39, Y39BH | | |
| | | | | | | NEST | INDENTOR | |
| YSV8C-L BOX | 8 | 1.00 | YSV8C-L | | TYPE AH AIRCRAFT CABLE: MY28 | UV8L-1 | Y34PL | 7/16" |
| YSV6C-L BOX | 6 | 1.12 | YSV6C-L | Y2MR, MR4C | | UV6L | Y34PLA | 1/2" |
| YSV4C-L BOX | 4 | 1.12 | YSV4C-L | Y2MR, MR4C | | UV4L | | 5/8" |
| YSV2C-L BOX | 2 | 1.41 | YSV2C-L | Y2MR | | UV2L | | 5/8" |
| YSV1C-L BOX | 1 | 1.46 | YSV1C-L | — | | UV1L | 5/8" | |
| YSV25-L BOX | 1/0 | 1.53 | YSV25-L | — | All Others: MY29-3, MY29-11 1 Crimp | UV25L | Y34PA | 11/16" |
| YSV26-L BOX | 2/0 | 1.78 | YSV26-L | — | | UV26L | | 13/16" |
| YSV27-L BOX | 3/0 | 1.81 | YSC27-L | — | | UV27L | 13/16" | |
| YSV28-L BOX | 4/0 | 1.94 | YSV28-L | — | | UV28L | 7/8" | |

* Remove stop plate

• Use Y35P3 Indentor Adaptor.

** Bench Mount Adaptor - Cat. No. BMY-BCH-MT is available for Type MY HYTOOLS™.

BURNDY® Products FCI

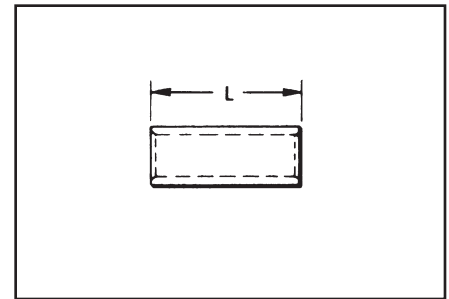
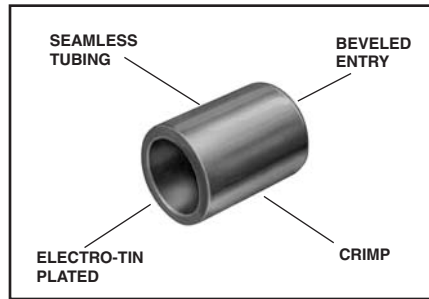
Compression

TYPE YSM

HYLINK™

UNINSULATED PARALLEL SPLICE

HYLINK™ type YSM seamless parallel splice connector permits wires to be laid parallel inside the connector and spliced together with Burndy's compression HYTOOL™. Each YSM connector accommodates a wide combination of round, square, and rectangular copper conductors that have a total combined circular mil area listed in the table below. The conductors to be spliced must physically fit within title splice without being forced.



B-43

| CATALOG NUMBER | CIRCULAR MIL. RANGE | | DIMENSIONS L | INSTALLATION TOOLING | | | | WIRE STRIP LENGTH |
|----------------|---------------------|---------|-----------------|----------------------|------------------------------------|--------------------------|----------|-------------------|
| | | | | RATCHET | MECHANICAL HYTOOL | HYPRESS Y35BH, Y39BH* | | |
| | | | | | | NEST | INDENTOR | |
| YSM18 | 300 | 1,909 | .25 | MR8-9Q* | — | — | — | 5/16" |
| YSM14 | 477 | 4,107 | .25 | MR8-9Q* | — | — | — | 5/16" |
| YSM10 | 4,107 | 10,380 | .36 | MR8-9Q*, MR4CQ | — | — | — | 7/16" |
| YSM8C | 6,088 | 16,864 | .41 | MR4CQ Y2MR | MY29-11 or MY28 (1) Crimp | UV8L-1 | Y29PQ | 1/2" |
| YSM6C | 10,380 | 26,813 | .44 | | | UV6L | | 1/2" |
| YSM4C | 26,813 | 42,613 | .50 | UV4L | | 9/16" | | |
| YSM2C | 42,613 | 66,832 | .62 | Y2MR | | UV2L | 11/16" | |
| YSM1C | 66,832 | 81,807 | .62 | — | | UV1L | 11/16" | |
| YSM25 | 81,807 | 104,110 | .69 | — | | UV25L | Y29PQ-6 | 3/4" |
| YSM26 | 104,110 | 133,650 | .81 | — | | UV26L | | 7/8" |
| YSM27 | 133,650 | 167,332 | .81 | — | | UV27L | | 7/8" |
| YSM28 | 167,332 | 211,954 | .88 | — | | UV28L | | 15/16" |

- * Remove stop plate.
- Use Y35P indenter adapter, with Y35BH and Y39BH HYPRESSES.

| Wire Size | Area Cir. Mils. | Solid Wire Dia. (In.) | Concentric Str. Max. Dia. (In.) | Flex. Bunch or Rope Lay Dia. (In Approx.) |
|-----------|-----------------|-----------------------|---------------------------------|---|
| 30 | 100.5 | .010003 | .012 | |
| 29 | 126.7 | .01126 | - | |
| 28 | 159.8 | .01264 | .015 | |
| 27 | 201.5 | .01420 | - | |
| 26 | 254.1 | .01594 | .019 | |
| 25 | 320.4 | .01790 | - | |
| 24 | 404.0 | .02010 | .024 | |
| 23 | 509.5 | .02257 | - | |
| 22 | 642.4 | .02535 | .030 | |
| 21 | 810.1 | .02845 | - | |
| 20 | 1022 | .03196 | .038 | |
| 19 | 1288 | .03589 | - | |
| 18 | 1624 | .04030 | .0460 | |
| 17 | 2048 | .04526 | - | |
| 16 | 2583 | .05082 | .0585 | |
| 15 | 3257 | .05707 | - | |
| 14 | 4107 | .06408 | .0735 | |

| Wire Size | Area Cir. Mils. | Solid Wire Dia. (In.) | Concentric Str. Max. Dia. (In.) | Flex. Bunch or Rope Lay Dia. (In Approx.) |
|-----------|-----------------|-----------------------|---------------------------------|---|
| 13 | 5178 | .07196 | - | - |
| 12 | 6530 | .08081 | .0931 | .101 |
| 11 | 8234 | .09074 | - | - |
| 10 | 10380 | .1019 | .117 | .126 |
| 9 | 13090 | .1144 | .132 | .146 |
| 8 | 16510 | .1285 | .148 | .157-.162 |
| 7 | 20820 | .1433 | .166 | .179-.196 |
| 6 | 26250 | .1620 | .186 | .207-.215 |
| 5 | 33100 | .1819 | .209 | .235-.240 |
| 4 | 41740 | .2043 | .235 | .263-.269 |
| 3 | 52640 | .2294 | .264 | .219-.305 |
| 2 | 66370 | .2576 | .297 | .319-.337 |
| 1 | 83690 | .2893 | .333 | .367-.376 |
| 1/0 | 105500 | .3249 | .374 | .441-.423 |
| 2/0 | 133100 | .3648 | .420 | .500-.508 |
| 3/0 | 167800 | .4096 | .472 | .549-.576 |
| 4/0 | 211600 | .4600 | .530 | .613-.645 |

BURNDY® Products FCI

Compression

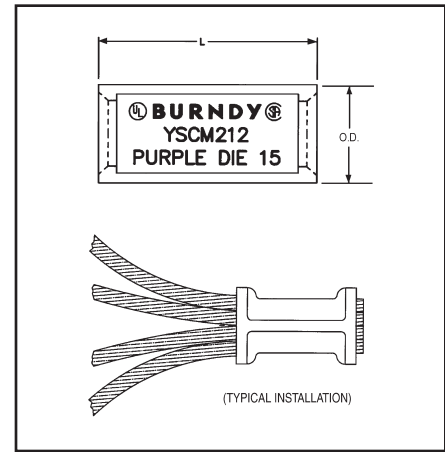
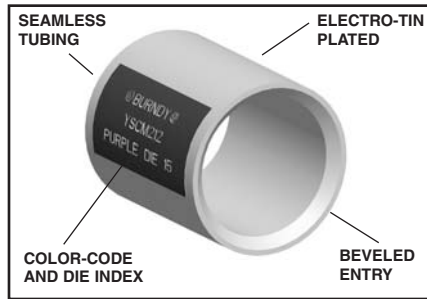
TYPE YSCM

HYLINK™

COLOR-CODED UNINSULATED PARALLEL SPLICE

B-44

Type YSCM HYLINK™ seamless parallel splice connectors permit stranded wires to be laid parallel inside the connector and spliced together with BURNDY® compression tools. Each YSCM connector accommodates a wide range of conductors and is color-coded to ensure proper tool and die match. YSCM connectors are UL 486A Listed for applications up to 600V and CSA Listed.



| CATALOG NUMBER | CONDUCTOR RANGE CABLE ⑤ | | DIMENSIONS INCH [mm] | | COLOR CODE | DIE INDEX | RECOMMENDED INSTALLATION TOOLING | | WIRE STRIP LENGTH ④ |
|----------------|-------------------------|---------|----------------------|-----------|------------|-----------|-----------------------------------|---|---------------------|
| | CIRCULAR MILS | | L ±.03 | O.D. ±.01 | | | OUR840, Y500CTHS, BCT500HS SERIES | Y35, Y750, BAT35, BAT750, PAT750 SERIES | |
| | MIN. | MAX. | | | | | | | |
| YSCM17 | 13,060 | 16,910 | .50 [13] | .27 [7] | Red | 49 | X8CRT, W8CRT | U8CRT | 11/16" |
| YSCM27 | 16,910 | 26,890 | .50 [13] | .31 [8] | Blue | 7 | X5CRT, W5CRT | U5CRT | 11/16" |
| YSCM42 | 29,970 | 41,520 | .50 [13] | .38 [10] | Gray | 8 | X4CRT, W4CRT | U4CRT | 11/16" |
| YSCM66 | 42,750 | 66,040 | .62 [16] | .47 [12] | Brown | 10 | X2CRT, W2CRT | U2CRT | 3/4" |
| YSCM80 | 67,980 | 80,020 | .62 [16] | .52 [13] | Green | 11 | X1CRT, W1CRT | U1CRT-1 | 3/4" |
| YSCM104 | 82,870 | 103,630 | .69 [18] | .57 [14] | Pink | 12 | X25RT, W25RT | U25RT | 15/16" |
| YSCM133 | 104,960 | 133,220 | .81 [21] | .64 [16] | Black | 13 | X26RT, W26RT | U26RT | 1-1/16" |
| YSCM167 | 134,340 | 166,560 | .81 [21] | .70 [18] | Orange | 14 | X27RT, W27RT | U27RT | 1-1/16" |
| YSCM212 | 167,380 | 211,820 | .88 [22] | .78 [20] | Purple | 15 | X28RT, W28RT | U28RT | 1-1/16" |
| YSCM231 | — | 230,800 | 1.05 [27] | .81 [21] | Yellow | 16 | X29RT, W29RT | U29RT | 1-1/16" |

| SIZE | | ASTM STRANDINGS | |
|---------------|-----|-----------------|-----------------------|
| STRANDED | | CLASS | CABLE DIAMETER INCHES |
| CIRCULAR MILS | AWG | | |
| 1,022 | 20 | B | 0.036 |
| 1,624 | 18 | B | 0.045 |
| 2,583 | 16 | B | 0.057 |
| 4,107 | 14 | B | 0.072 |
| 6,530 | 12 | B | 0.091 |
| 10,380 | 10 | B | 0.116 |
| 13,090 | 9 | B | 0.130 |
| 16,510 | 8 | B | 0.146 |
| 20,820 | 7 | B | 0.164 |
| 26,250 | 6 | B | 0.184 |
| 33,100 | 5 | B | 0.206 |
| 41,740 | 4 | AA | 0.254 |
| 41,740 | 4 | B&A | 0.232 |
| 52,630 | 3 | AA | 0.285 |

| SIZE | | ASTM STRANDINGS | |
|---------------|-----|-----------------|-----------------------|
| STRANDED | | CLASS | CABLE DIAMETER INCHES |
| CIRCULAR MILS | AWG | | |
| 52,630 | 3 | B&A | 0.260 |
| 66,370 | 2 | AA | 0.320 |
| 66,370 | 2 | B&A | 0.292 |
| 83,690 | 1 | AA | 0.360 |
| 83,690 | 1 | A | 0.328 |
| 83,690 | 1 | B | 0.332 |
| 105,500 | 1/0 | A&A | 0.368 |
| 105,500 | 1/0 | — | 0.390 |
| 105,500 | 1/0 | B | 0.373 |
| 133,100 | 2/0 | A&A | 0.414 |
| 133,100 | 2/0 | — | 0.438 |
| 133,100 | 2/0 | B | 0.419 |
| 167,800 | 3/0 | A&A | 0.464 |
| 167,800 | 3/0 | — | 0.492 |
| 167,800 | 3/0 | B | 0.470 |
| 211,600 | 4/0 | A&A | 0.522 |
| 211,600 | 4/0 | — | 0.522 |
| 211,600 | 4/0 | B | 0.528 |

1. Material: Copper per ASTM B75.

2. Finish: Tin plated. For nickel plating, add suffix "NK" to the Catalog Number.

3. Dimensions in brackets [] are in millimeters rounded off to the nearest millimeter, unless otherwise noted, and are for reference only.

④ Recommended strip length. Strip length dependant on size, no. of wires and insulation thickness.

⑤ Refer to Circular Mil Table per ASTM B8 for total Class B Circular Mil calculations.

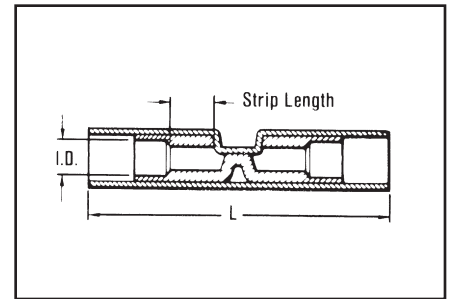
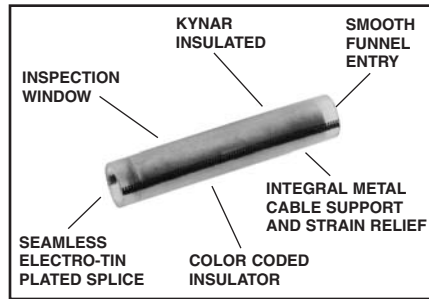
TYPES YSES-K

INSULINK™

RADIATION RESISTANT
INSULATED BUTT SPLICE

POLYVINYLIDENE FLOURIDE
(PVF₂) INSULATED

200 MEGARADS - 60° C
THROUGH 150° C, 600 VOLTS



B-45

The type YSES-K radiation resistant KYNAR® insulated splices are suitable for class 1E applications plus non critical nuclear associated applications. The splice is manufactured from pure electrolytic copper seamless tubing which eliminates potential splitting of seams. A color code stripe is used for wire size identification and a window is provided for inspection of proper wire insertion.

| CATALOG NUMBER | WIRE RANGE | COLOR STRIPE | DIMENSIONS MAX. INSUL. DIA. ACCOM. | L MAX. | INSTALLATION TOOLING | WIRE STRIP LENGTH |
|----------------|------------|--------------|--|-----------|--|-------------------------|
| YSES18K | 22-18 | Red | .112 | 1.00 | Ratchet Tool: MR10G8* Red Groove Calibration Gauge: PG-373-1 Crimp ID. Mark: (1) Small Dot | 3/16" |
| YSES14K | 16-14 | Blue | .153 | 1.00 | Ratchet Tool: MR10G8* Blue Groove Calibration Gauge: PG-371-1 Crimp ID. Mark: (2) Small Dot | 3/16" |
| YSES10K | 12-10 | Yellow | .210 | 1.38 | Ratchet Tool: MR10G8* Yellow Groove Calibration Gauge: PG-372-1 Crimp ID. Mark: (1) Large Dot | 7/16" |

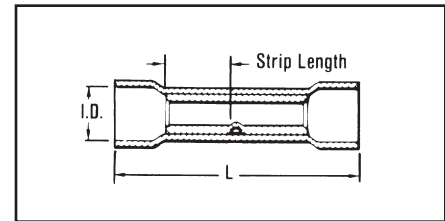
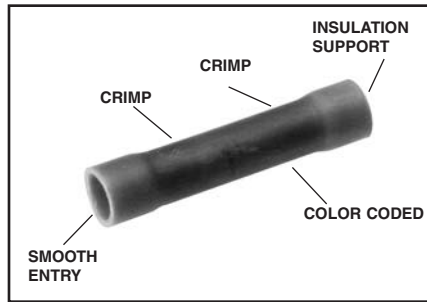
* Remove terminal locator from tool when installing INSULINK™ splices.
KYNAR® is the registered trademark for Pennwalt Corp. for Polyvinylidene Flouride (PVF₂)

TYPES SP AND BS

VINYLINK™

SPLICE,
POLYVINYLCHLORIDE-
INSULATED

600 VOLTS, 105° C



Features and Benefits

- Manufactured from seamless electrolytic copper tubing.
 - ◇ Provides maximum conductivity and tensile strength, in a high quality design with NO seams to split.
- Funnel entry.
 - ◇ Provides easy wire insertion.
- Electro-tin plated.
 - ◇ Provides durable long lasting resistance to corrosion.
- Expanded insulation support.
 - ◇ Lower inventory requirements.
- Red wire range of 22-16.
 - ◇ Lower inventory requirements.
- Vinyl insulator.
 - ◇ Economical means of providing high dielectric values and cable insulation support.



| CATALOG NUMBER | WIRE RANGE | COLOR CODE | BULK CAT. NO. | DIMENSION (INCHES) | | INSTALLATION TOOLING | WIRE STRIP LENGTH |
|----------------|------------|------------|---------------|--------------------|-----------|--|-------------------|
| | | | | L MAX. INSUL. | MAX. DIA. | | |
| SP16 | 22-16 | Red | BS16 | 1.00 | .145 | Non-Ratchet: Y10D-22, Y10D Ratchet: MR8-9-1, MR15 | 1/4" |
| SP14 | 16-14 | Blue | BS14 | 1.00 | .180 | | 1/4" |
| SP10 | 12-10 | Yellow | BS10 | 1.23 | .260 | | 21/64" |

INSULATED SPLICES

BURNDY® manufactures several designs of insulated butt splices. Each type is designed to meet specific application requirements and provide a high quality electrically pre-insulated splice that is easily installed. The following features and benefits apply to all BURNDY® pre-insulated butt splices.

Features and Benefits

- Manufactured from seamless tubing.
 - ◇ A high quality design with no seams to split.
- Pure electrolytic copper.
 - ◇ Provides maximum conductivity, low resistance and ductility for excellent crimp forming properties.
- Electro-tin plated.
 - ◇ Provides durable long-lasting resistance to corrosion.
- Positive center wire stops.
 - ◇ Provides for proper depth of wire insertion.
- Color-coded in red, blue and yellow.
 - ◇ Provides easy wire size identification.

TYPES SN AND YSE-HN

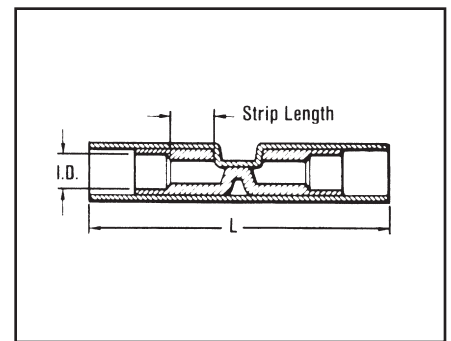
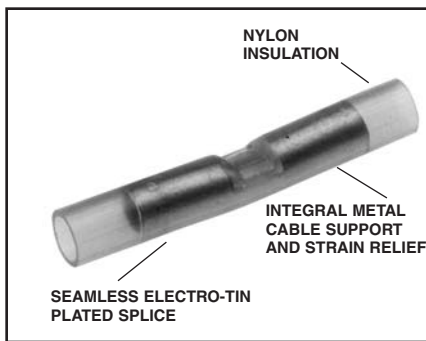
INSULINK™

BUTT SPLICE, NYLON-INSULATED

600 VOLTS MAXIMUM,
105° C MAXIMUM

The type SN INSULINK™ is a high quality nylon-insulated butt splice designed to meet heavy duty application requirements.

Meets the functional requirements of MIL-T-7928 (ASG) and conforms to the requirements of NAS1388.



Features and Benefits

- Manufactured from one-piece tin-plated seamless copper tubing with an integral barrel/insulation grip.
 - ◇ Provides maximum tensile strength, plus excellent cable support and strain relief and eliminates failures due to vibration.
- Smooth funnel entry.
 - ◇ Provides easy wire insertion.
- Window position locator for full cycle ratchet tool crimp.
 - ◇ Provides proper tool/connector alignment for correct crimp.
- Nylon insulation offers high dielectric strength and stability in oily environmental conditions.
 - ◇ Maintains a high quality connection in demanding applications.
- The nylon is locked into position.
 - ◇ The connector will not move.

600 VOLTS, 105° C
(1000 VOLTS, MAX. INSIDE SIGN OR FIXTURE)

| CATALOG NUMBER | WIRE RANGE | COLOR CODE | BULK CAT. NO. | DIMENSIONS | | INSTALLATION TOOLING | WIRE STRIP LENGTH |
|----------------|------------|------------|---------------|---------------|-----------|--------------------------------------|-------------------|
| | | | | L MAX. INSUL. | MAX. DIA. | | |
| SN18 | 22-18 | Red | YSE18HN | 1.25 | .115 | Plier: Y10D Ratchet: MR8-85, MR18 | 15/64" |
| SN14 | 16-14 | Blue | YSE14HN | 1.25 | .150 | | 7/32" |
| SN10 | 12-10 | Yellow | YSE10HN | 1.64 | .220 | | 3/8" |

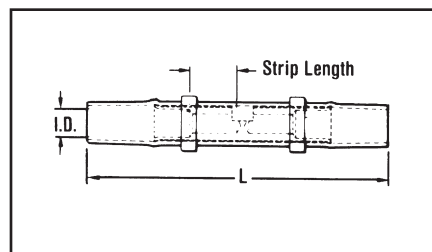
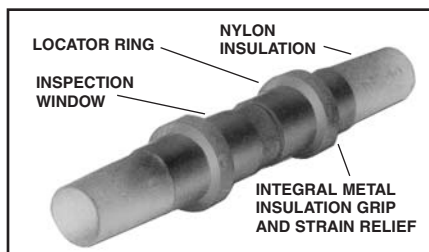
TYPES SNM AND YSES

INSULINK™

BUTT SPLICE, NYLON INSULATED

MS25181, CLASS 1 SPLICE
300 VOLTS, 105° C

The type SNM INSULINK™ is a high quality nylon insulated butt splice designed to meet military MS25181, class 1 requirements.



Features and Benefits

- Manufactured from tin plated, seamless copper tubing with an integral barrel/insulation grip.
 - ◇ Provides maximum tensile strength, plus excellent cable support and strain relief.
- Smooth funnel entry.
 - ◇ Provides easy wire insertion.
- Transparent nylon insulation.
 - ◇ Permits easy wire inspection.
- External ring locator.
 - ◇ Provides proper tool alignment for correct crimp.

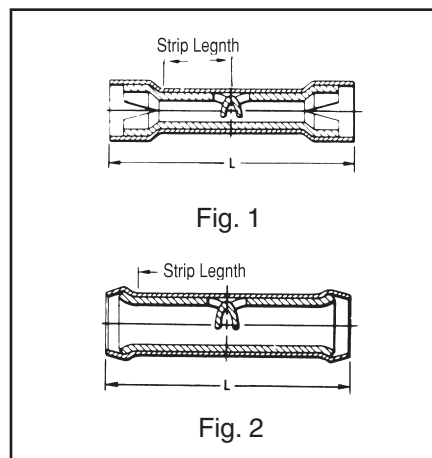
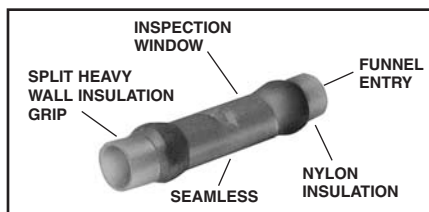
| CATALOG NUMBER | WIRE RANGE | COLOR CODE | BULK CAT. NO. | MS25181 DASH NO. | DIMENSIONS | | INSTALLATION TOOLING | WIRE STRIP LENGTH |
|----------------|------------|------------|---------------|------------------|------------|------------------|--|-------------------|
| | | | | | L MAX. | MAX. DIA. INSUL. | | |
| SNM18 | 22-18 | Red | YSES18-1 | -1 | 1.53 | .120 | Plier: Y10D Ratchet: MR8-83 or MR8-85 MS25037 TOOL | 7/32" |
| SNM14 | 16-14 | Blue | YSES14-2 | -2 | 1.53 | .150 | | 7/32" |

TYPES YSE BOX, YSE-H BOX, YSE, YSES AND YSE-H

INSULINK™

600 VOLTS, 105° C

The types YSE and YSE-H INSULINKS™ are high quality nylon insulated butt splices designed for splicing aircraft and commercial flexible cables.



Features and Benefits

- Manufactured from tin plated, seamless electrolytic copper tubing with integral barrel/insulation grip.
 - ◇ Provides maximum conductivity and tensile strength, plus excellent cable support and strain relief.
- Split heavy wall insulation grip.
 - ◇ Provides stronger insulation grip and strain relief.
- Smooth funnel entry.
 - ◇ Provides easy wire insertion.
- Transparent nylon insulation.
 - ◇ Permits easy wire inspection.



600 VOLTS 105°C

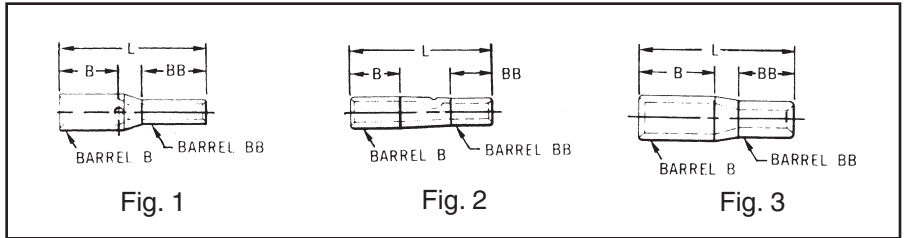
| WIRE RANGE CATALOG NUMBER | FIG. | WIRE CODE AWG. AIRCRAFT AN | COLOR CODE | BULK CAT. NO. | DIMENSIONS | | INSTALLATION TOOLING | WIRE STRIP LENGTH |
|---------------------------|------|----------------------------|------------|---------------|---------------|-----------|-----------------------|-------------------|
| | | | | | L MAX. INSUL. | MAX. DIA. | | |
| YSE18H-BOX | 1 | 22-18 | Red | YSE18H | 1.220 | .115 | Y10D | 9/32" |
| YSE14H-BOX | 1 | 16-14 | Blue | YSE14H | 1.36 | .150 | Ratchet: MR8-33S-1 | 11/32" |
| YSE10-BOX | 2 | 12-10 | Yellow | YSE10 | 1.15 | .209 | | 23/64" |

TYPES YSV, YRV-L

HYREDUCER™

REDUCER BUTT SPLICE

The HYREDUCER™ is a connector for splicing two different size wires. The larger conductor is inserted first and butts against the center of the connector where the smaller barrel begins. Constructed of pure electrolytic copper tubing for maximum conductivity, tin plated to resist corrosion, the HYREDUCER™ accommodates a wide range of cable sizes.



Dimensional information may be found in Table 1. Table 2 is a comprehensive tooling index for these connectors.

TABLE 1

| BULK CATALOG NUMBER | TOTAL WIRE RANGE | FIG. NO. | B BARREL* | | TOOL INDEX | BB BARREL* | | TOOL INDEX | "L" MAX. |
|---------------------|------------------|----------|-----------|--------|------------|------------|---------|------------|----------|
| | | | WIRE SIZE | B DIM. | | WIRE SIZE | BB DIM. | | |
| YSV1418 | 22 - 14 | 1 | 20 - 14 | .27 | 1 | 22 - 18 | .27 | 2 | .64 |
| YSV1214-G1 | 16 - 12 | 2 | 12 | .31 | 4 | 16 - 14 | .27 | 1 | .83 |
| YSV1014-G2 | 20 - 10 | 2 | 12 - 10 | .31 | 4 | 20 - 14 | .27 | 1 | .83 |
| YRV8CV14-L | 20 - 8 | 3 | 8 | .44 | 5 | 20 - 14 | .39 | 1 | 1 |
| YRV8CV10-L | 12 - 8 | 3 | 8 | .44 | 5 | 12 - 10 | .53 | 4 | 1.18 |
| YRV6CV10-L | 12 - 6 | 3 | 6 | .50 | 6 | 12 - 10 | .53 | 4 | 1.28 |
| YRV6CV8C-L | 8 - 6 | 3 | 6 | .50 | 6 | 8 | .53 | 5 | 1.21 |
| YRV4CV6C-L | 6 - 4 | 3 | 4 | .50 | 7 | 6 | .54 | 6 | 1.27 |
| YRV2CV6C-L | 6 - 2 | 3 | 2 | .62 | 8 | 6 | .51 | 6 | 1.63 |

* B and BB dimensions are wire strip lengths.

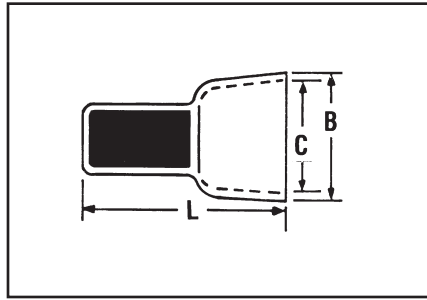
TABLE 2 TOOL INDEX

| INDEX NUMBER | HAND TOOLS | TOOLS WITH DIES | |
|--------------|--------------------------------------|-----------------|----------|
| | | Y29NC | |
| 1 | MR8G98 Y8MRB-1 MR8-9Q† MR20 | - | |
| 2 | MR8G98 Y8MRB-1 MR8-9Q† MR20 | - | |
| 4 | MR8G98 Y8MRB-1 MR8-9Q† MR20 | - | |
| 5 | Y8MRB-1 MY28 MR4C Y2MR | NEST | INDENTOR |
| | | DV8L-1* | Y29PL |
| 6 | MY28 Y2MR MR4C | DV6L | Y29PL |
| 7 | MY28 Y2MR MR4C | DV4L | Y19PL |
| 8 | Y2MR MY28 | DV2L | Y29PL |

* For aircraft applications (flexible cables).

BURCAP TYPES YQE, RK

PIGTAIL SPLICE, NYLON-INSULATED



B-50

Rated at 600 volts for building wire and 1000 volts for fixtures and signs, the BURCAP is designed to splice a wide range of different cable sizes.

| CATALOG NUMBER | WIRE COMBINATIONS | TOTAL AREA CIRCULAR MILS | DIMENSIONS IN INCHES | | | INSTALLATION TOOLS | WIRE STRIP LENGTH |
|----------------|---|--------------------------|----------------------|-----------------|----------------|--------------------------|-------------------|
| | | | L | B | C | DIE SET M8ND, Y8ND | |
| YQE-91† | 1 #16 & 1 #18 | 4,205 | .76 | .30 | .24 | N150WT | 5/16 |
| | 2 #18 | 3,250 | | | | | |
| *RK141-2 | RK141ABOX100 | 500 5,180 | .607 (16, 4) | .311 (7, 9) | .269 (8, 6) | N150WT | 5/16 |
| | RK142ABOX100 | | | | | | |
| *RK142-2 | 22 20 18 16 18 16 14 12 | 2,400 13,100 | .722 (18, 3) | .440 (11, 2) | .384 (9, 8) | N150WT | 5/16 |
| | 7 6 5 4 4 3 3 2 3 2 2 2 1 1 1 3 2 2 1 1 3 2 2 3 2 5 | | | | | | |

NOTE: * Convenience Package. For Box quantity, order RK141ABOX100 and RK142ABOX100 respectively.
† This item is UL Listed

X-ON Electronics

Largest Supplier of Electrical and Electronic Components

Click to view similar products for [Terminals](#) category:

Click to view products by [FCT Electronics](#) manufacturer:

Other Similar products are found below :

[HT-13-10](#) [71M-250-32-NB](#) [01-2065-1-0216](#) [00581P0075](#) [M10-10RX](#) [M10BCK](#) [60205-1](#) [604200-1](#) [60598-1-CUT-TAPE](#) [60617-1-C](#) [60873-1](#) [M14-516R/SK](#) [M14-6RSX](#) [M18-10FLX](#) [M18-8FBX](#) [M18-8R/LX](#) [M18BCK](#) [61314-6-C](#) [61-S](#) [61-SN-A](#) [62-NBM-A](#) [63-S](#) [640179-1](#) [640917-2-CUT-TAPE](#) [6501550002](#) [66107-2-C](#) [696683-1](#) [696834-1](#) [696861-1](#) [696931-1](#) [696999-1](#) [M8-516RK](#) [M86700006](#) [MA250DMFMX-A](#) [701-2007](#) [701-2307](#) [701-7761-03](#) [70F-110-32-PB](#) [718-N-A](#) [71M-187-20-NBL](#) [71M-250-32-NBL](#) [72F-187-20-NBL](#) [72M-250-32-NBL](#) [7310](#) [73F-250-32](#) [73F-250-32-NBL](#) [73F-250-32-NL](#) [F14-10C](#) [F-1M](#) [751-250](#)