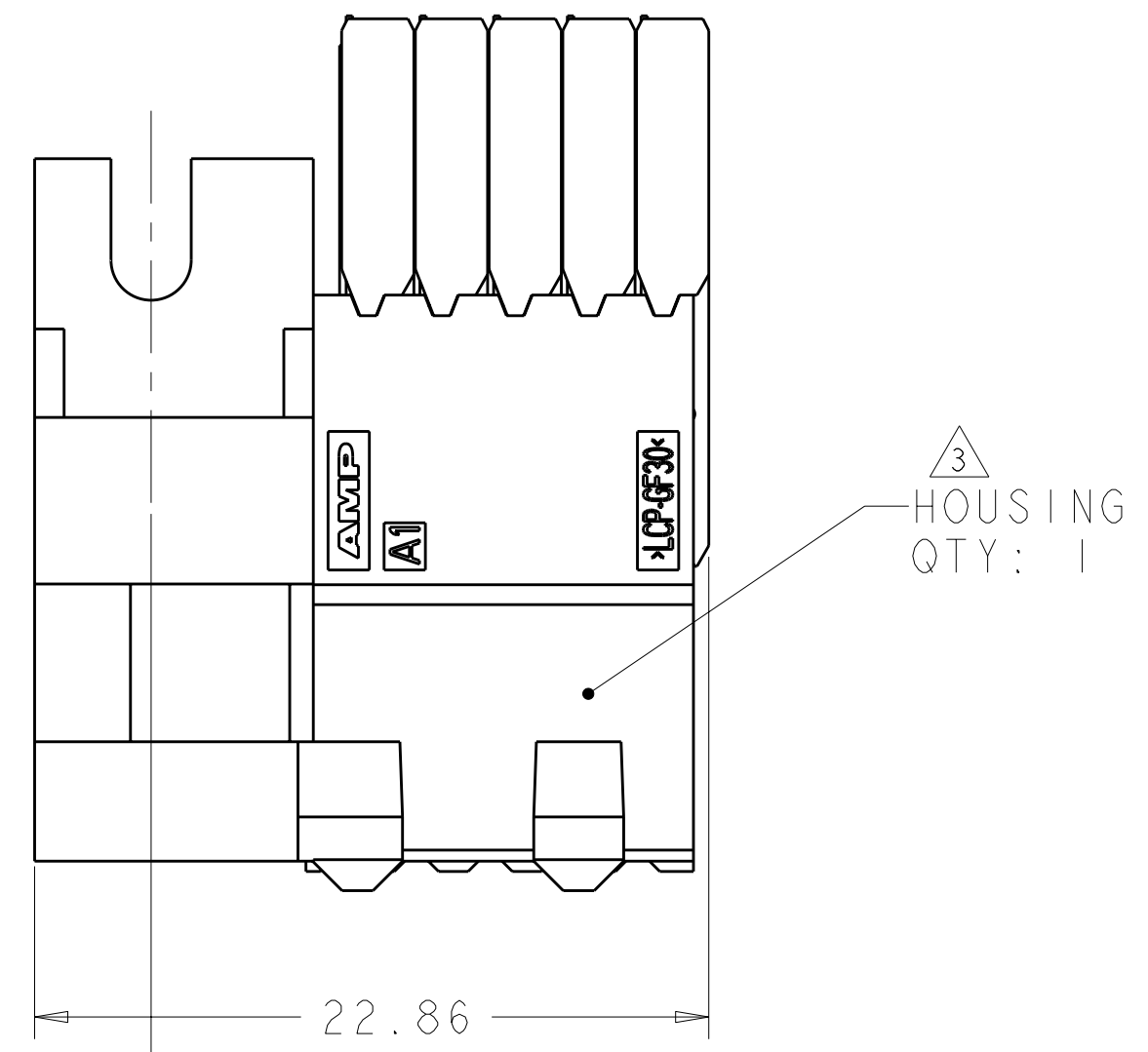
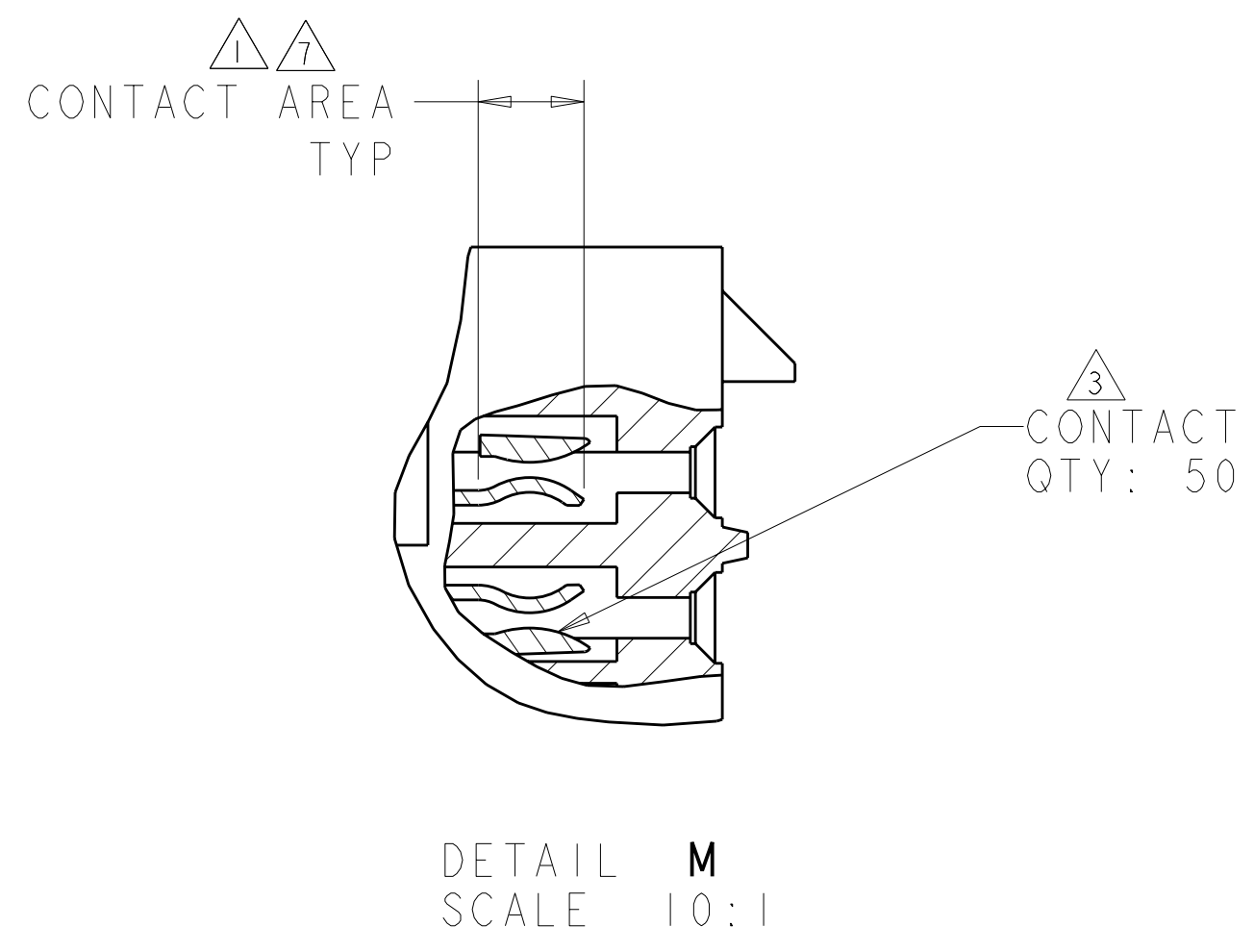
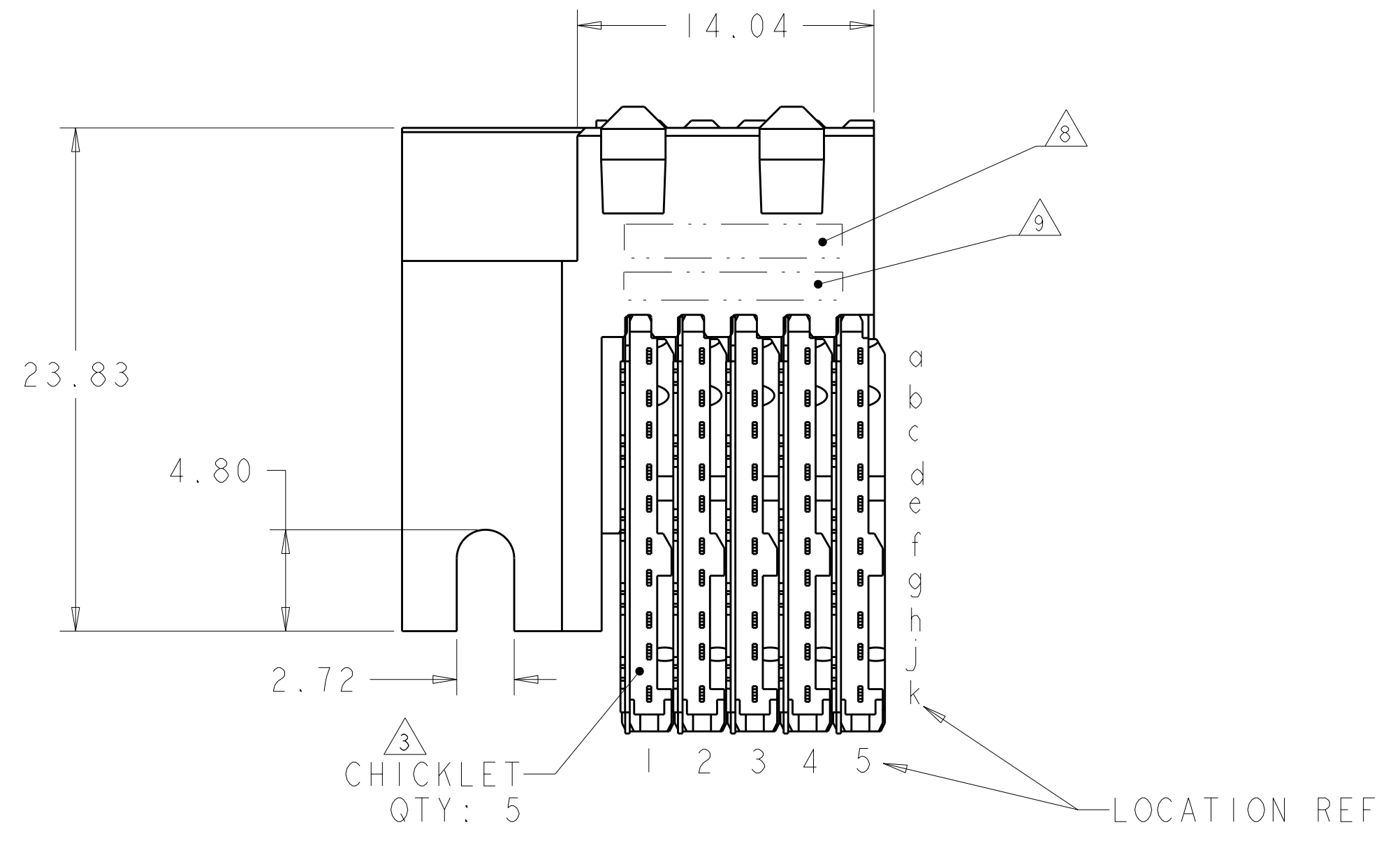
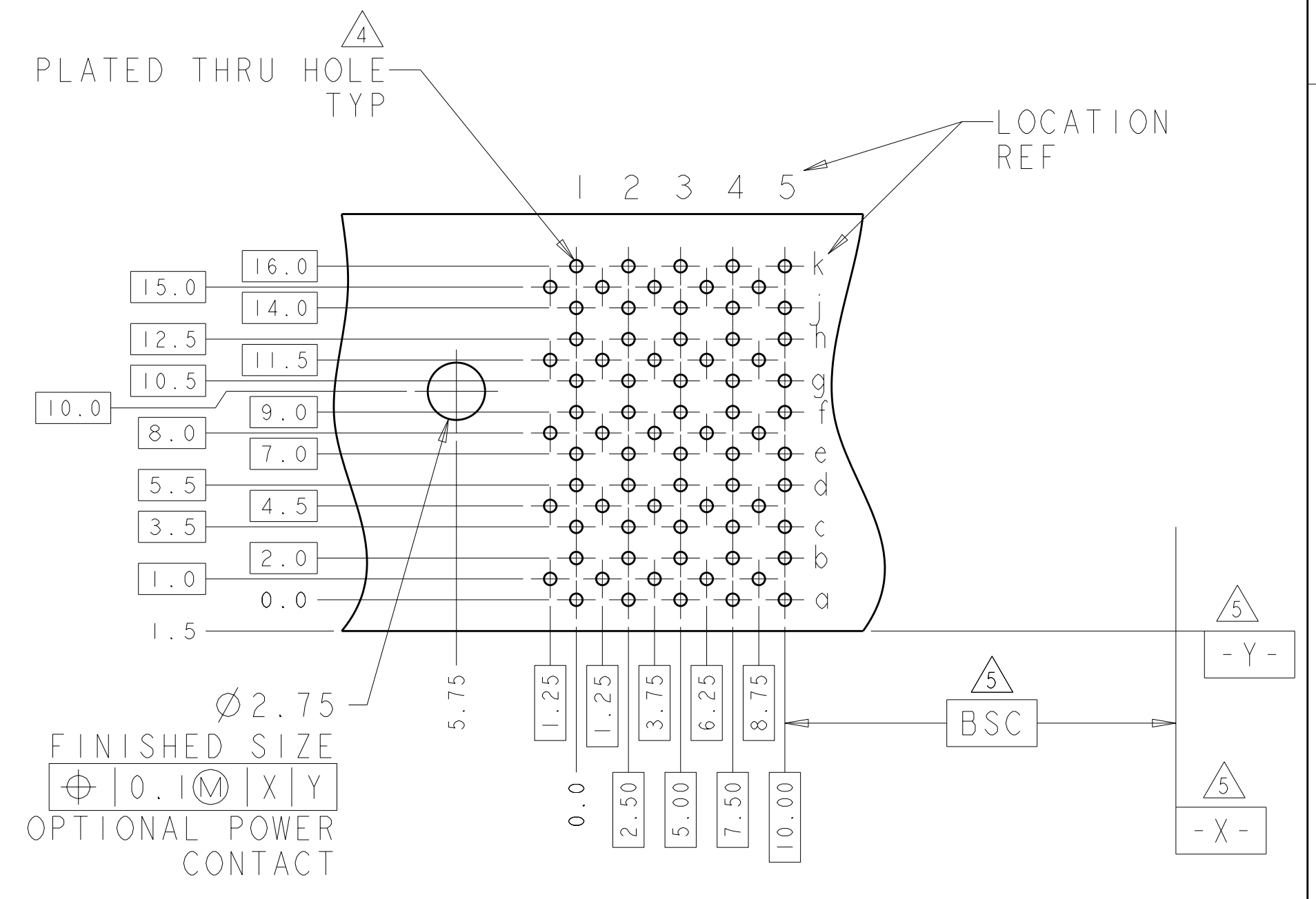
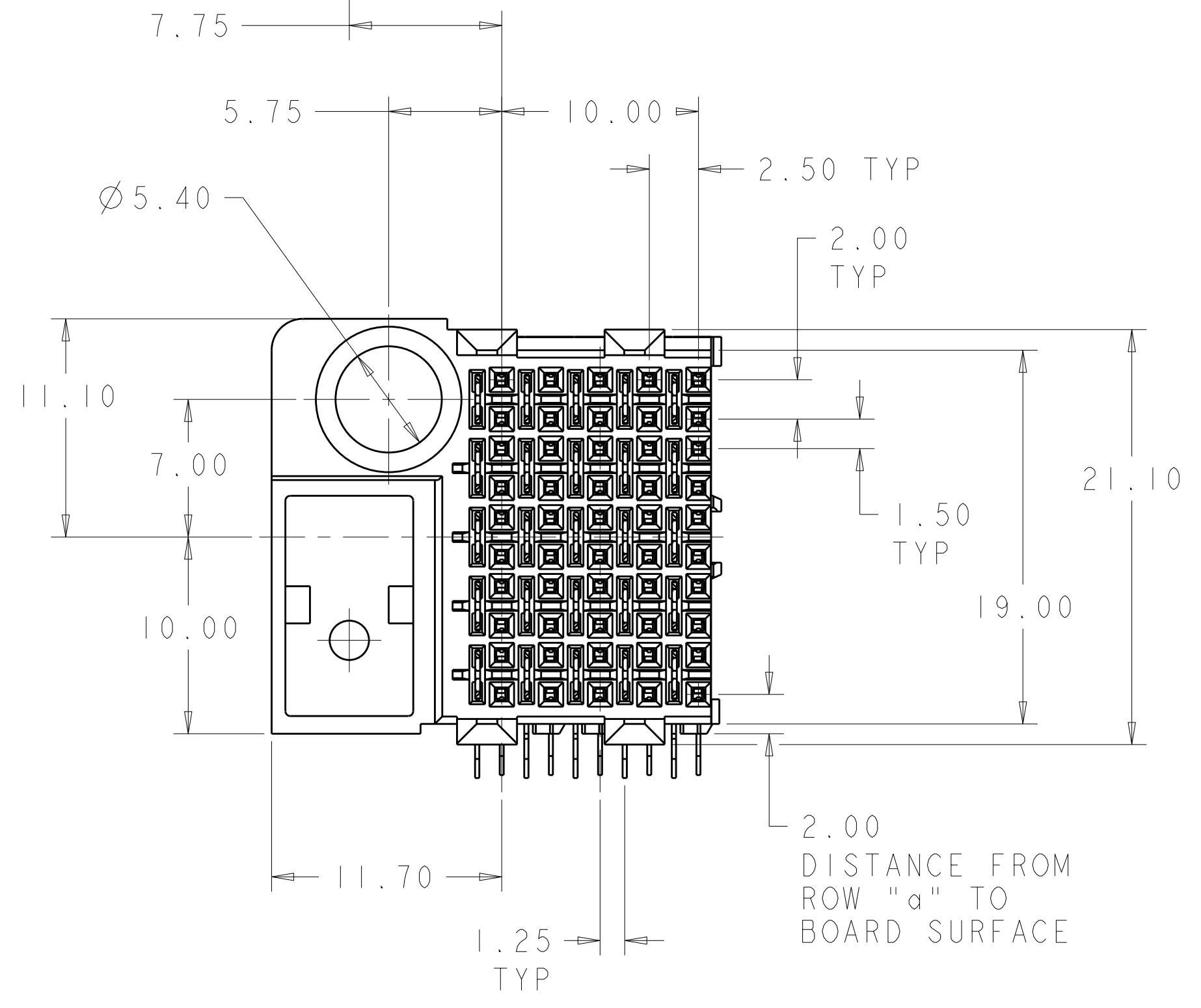
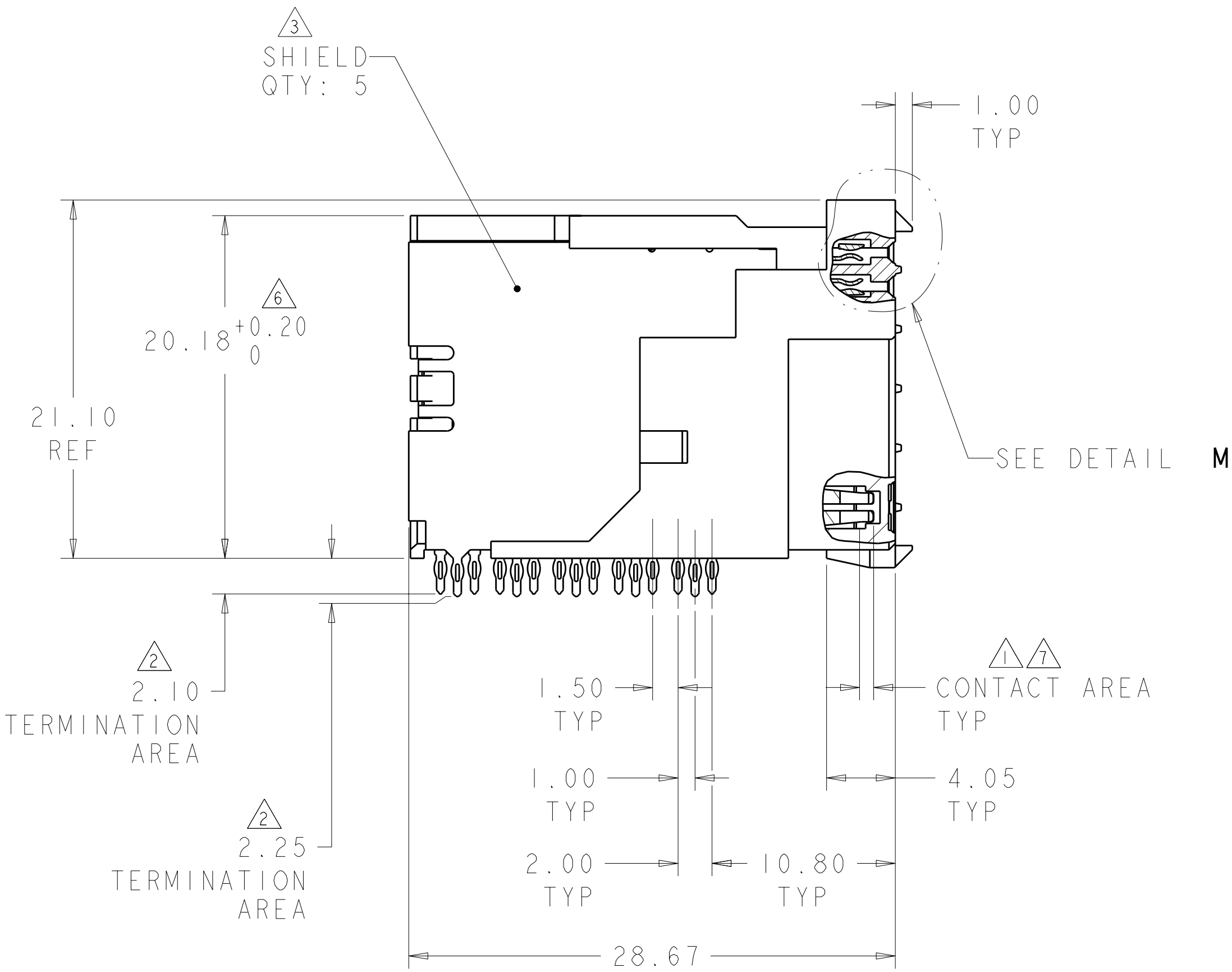


LOC	DIST	REV	DESCRIPTION	DATE	DWN	APVD
AD	00	A	REVISED PER ECO-11-013132	13JUL2011	HMR	MH



- 1 CONTACT MATING AREA MEETS THE PERFORMANCE REQUIREMENTS OF TE CONNECTIVITY PRODUCT SPECIFICATION 108-1957; BASED ON TELCORDIA GR-1217-CORE, APPLICATIONS IN UNCONTROLLED ENVIRONMENTS.
- 2 0.76µm MIN TIN OVER 1.27µm MIN NICKEL
- 3 MATERIAL: CONTACT - COPPER ALLOY
SHIELD - PHOSPHOR BRONZE
HOUSING - LCP, UL94V-0
CHICKLET - GLASS FILLED POLYESTER
- 4 REFERENCE APPLICATION SPEC 114-13020 FOR RECOMMENDED PLATED THRU HOLE DIAMETER AND PLATING THICKNESS.
- 5 DATUM AND BASIC DIMENSION ESTABLISHED BY CUSTOMER.
- 6 SEATING HEIGHT TO BOARD SURFACE.
- 7 CONTACT AREA LUBRICATED WITH BELLCORE APPROVED LUBRICANT. TECHNICAL REFERENCE: GR-1217-CORE, ISSUE 1, NOVEMBER 1995.
- 8 DATE CODE
- 9 PART NUMBER



RECOMMENDED PRINTED
 CIRCUIT BOARD LAYOUT
 COMPONENT SIDE OF PRINTED CIRCUIT BOARD

5120875-1
 PART NUMBER

THIS DRAWING IS A CONTROLLED DOCUMENT.		DWN: B. CARBO 09DEC04	TE Connectivity
DIMENSIONS: mm		CHK: R. PATTERSON 09DEC04	
TOLERANCES UNLESS OTHERWISE SPECIFIED:		APVD: R. PATTERSON 09DEC04	NAME: RECEPTACLE ASSEMBLY, 50 POSITION, UNIVERSAL GUIDE PIN, LEFT HAND, 10 ROW, DUAL BEAM, Z-PACK HS3
0 PLC ± 1 PLC ±0.2 3 PLC ±0.13 5 PLC ±0.05 4 PLC ± ANGLES ±		PRODUCT SPEC: 108-1957	
MATERIAL: 3		APPLICATION SPEC: 114-13020	SIZE: CAGE CODE DRAWING NO: A100779C=5120875
FINISH: SOLDER TAIL: 2		WEIGHT: -	RESTRICTED TO: -
CONTACT: 3		CUSTOMER DRAWING	SCALE: 4:1 SHEET 1 OF 1 REV A

X-ON Electronics

Largest Supplier of Electrical and Electronic Components

Click to view similar products for [High Speed/Modular Connectors](#) category:

Click to view products by [TE Connectivity](#) manufacturer:

Other Similar products are found below :

[2332816-1](#) [89006-1137LF](#) [650827-1](#) [65762-001LF](#) [73474-201LF](#) [74040-1346](#) [74075-0267](#) [88911-201LF](#) [9514M0C20D](#) [1410191-1](#)
[1410337-1](#) [1410368-3](#) [1410964-2](#) [1410326-3](#) [1410367-3](#) [1410971-4](#) [1467833-1](#) [2000877-1](#) [2000878-1](#) [2041314-1](#) [2065387-1](#) [2187307-1](#)
[2187462-1](#) [2226278-6](#) [KA81-07](#) [91290-101LF](#) [1934290-1](#) [2000875-1](#) [2065917-1](#) [2102736-2](#) [FSR-40](#) [2169868-2](#) [2226279-2](#) [22354-8](#) [437-](#)
[5040-000](#) [5-1393565-0](#) [532449-3](#) [532803-2](#) [34745-0001](#) [0740618502](#) [0760151403](#) [0760551105](#) [0760551608](#) [0761451128](#) [0761651124](#)
[0761655108](#) [0761659807](#) [0769853208](#) [0736440217](#) [0758324203](#)