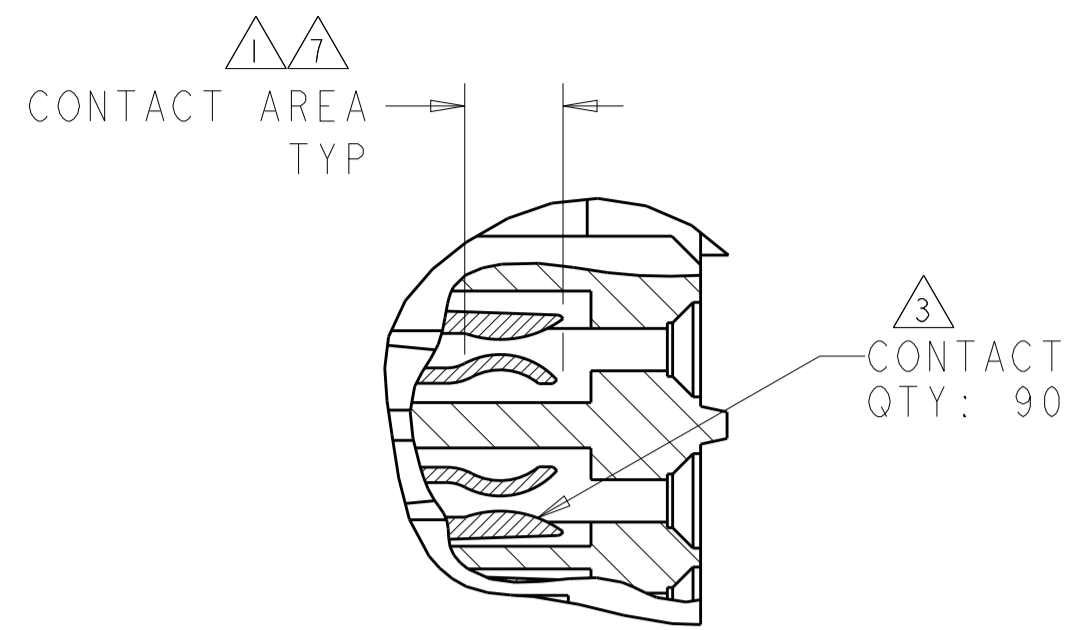
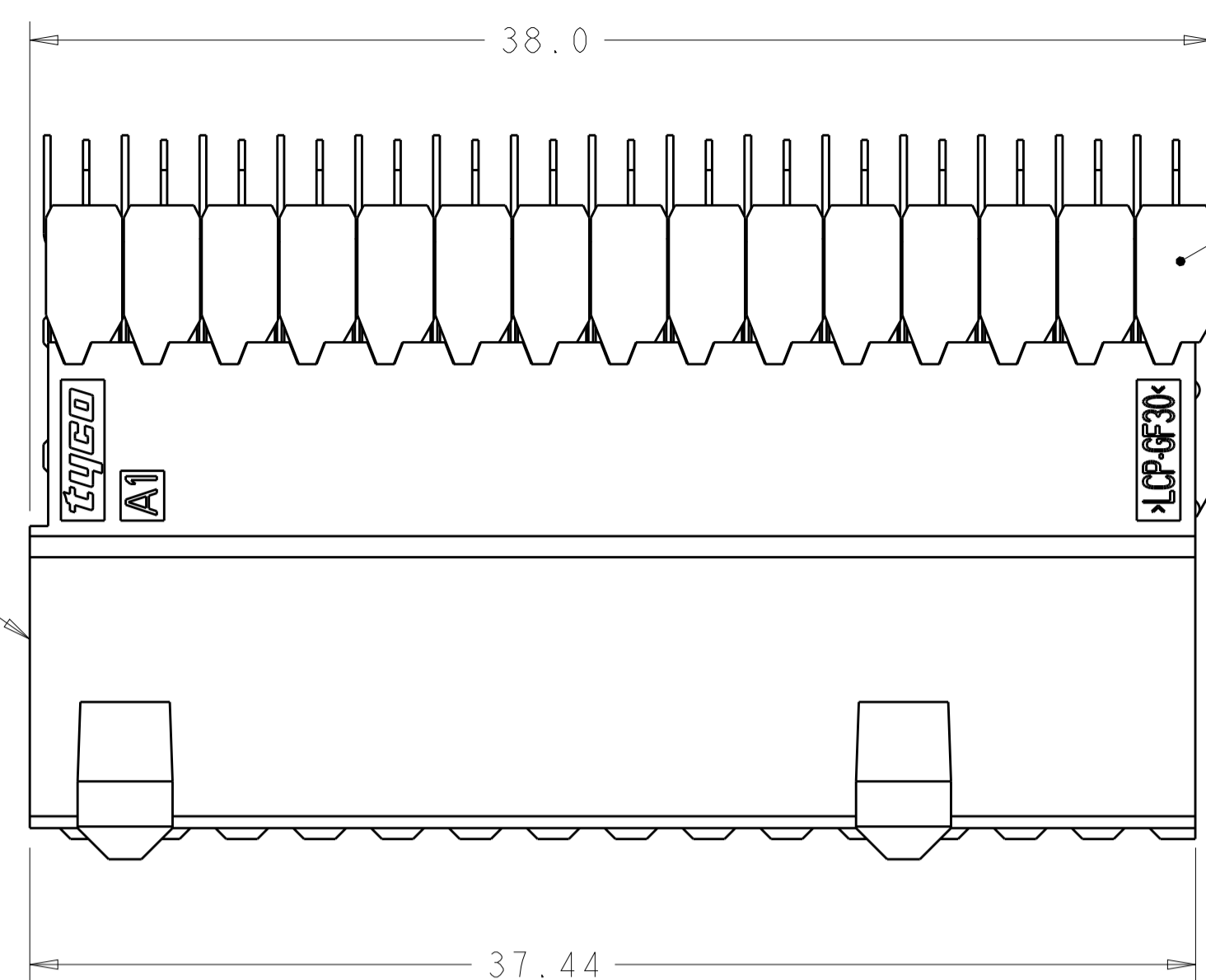


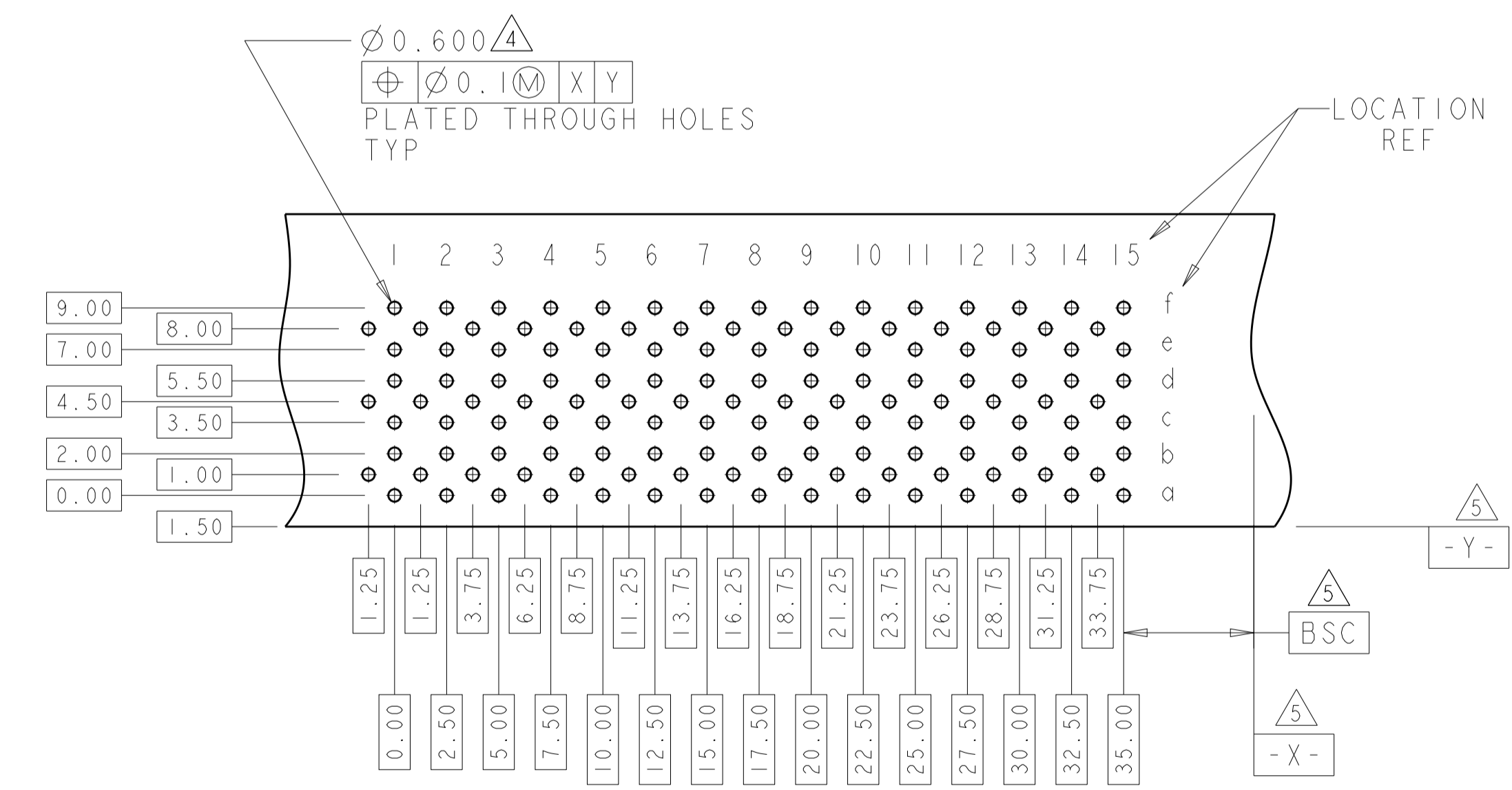
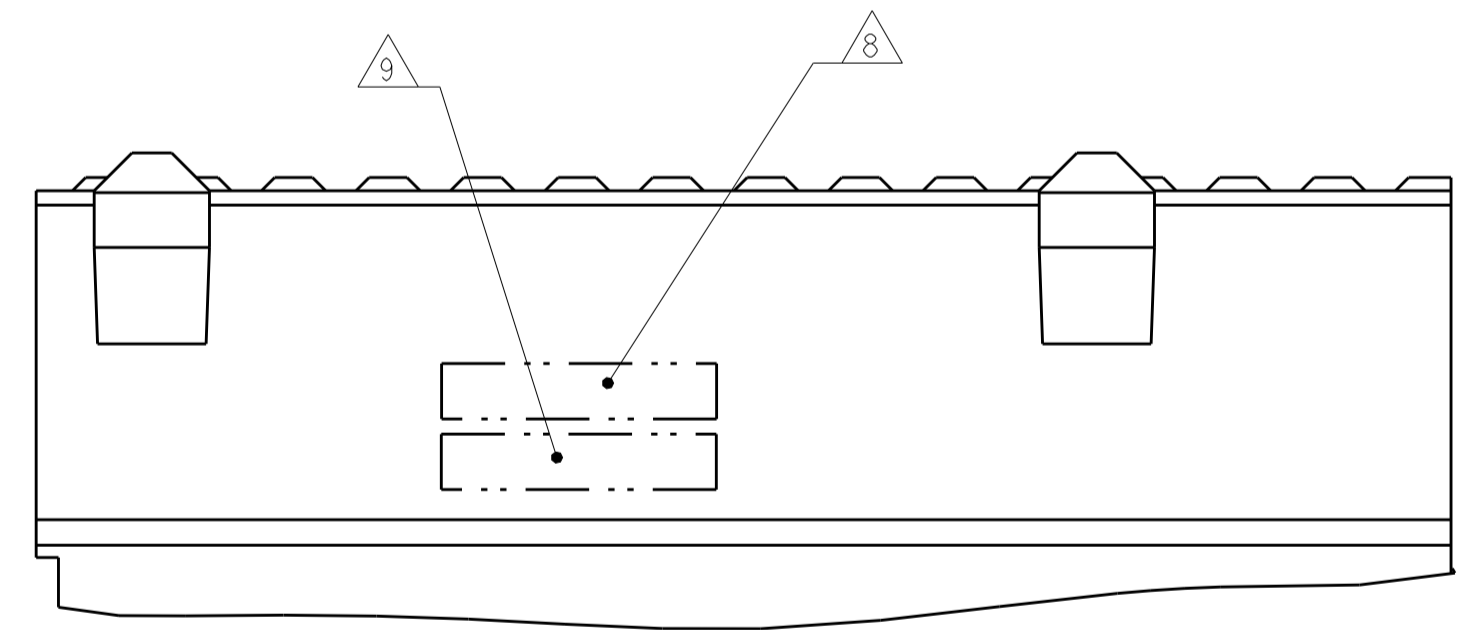
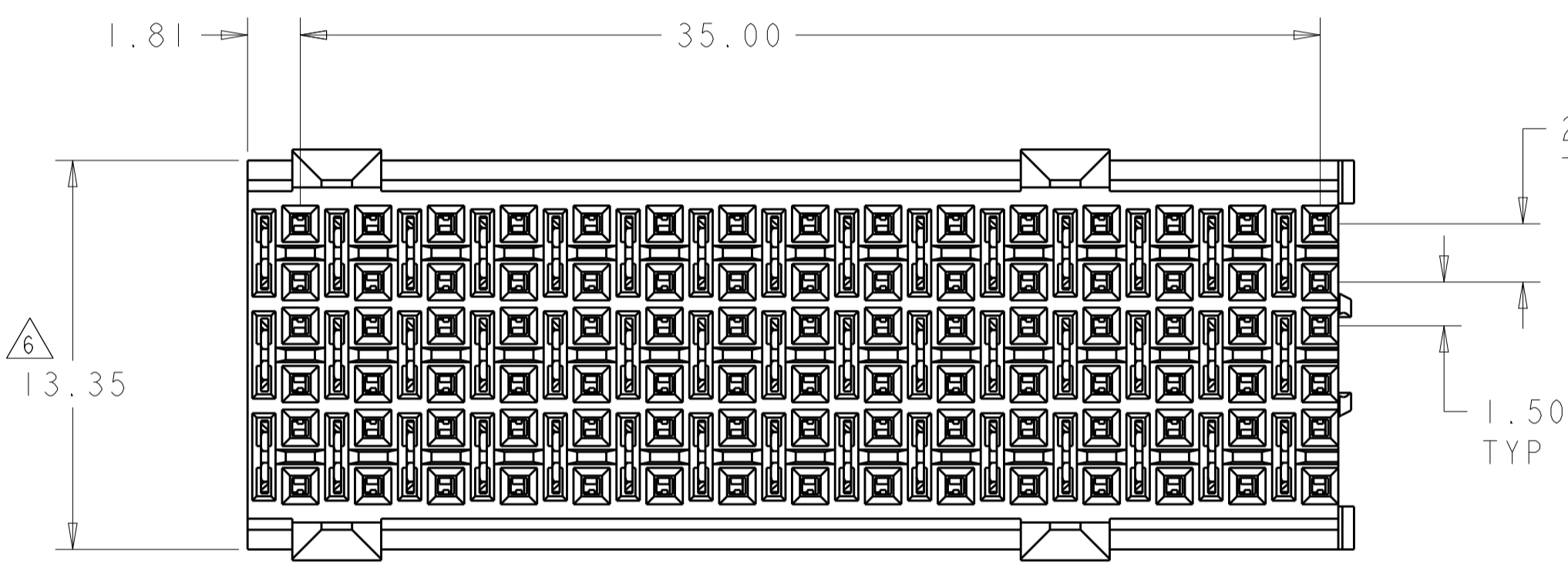
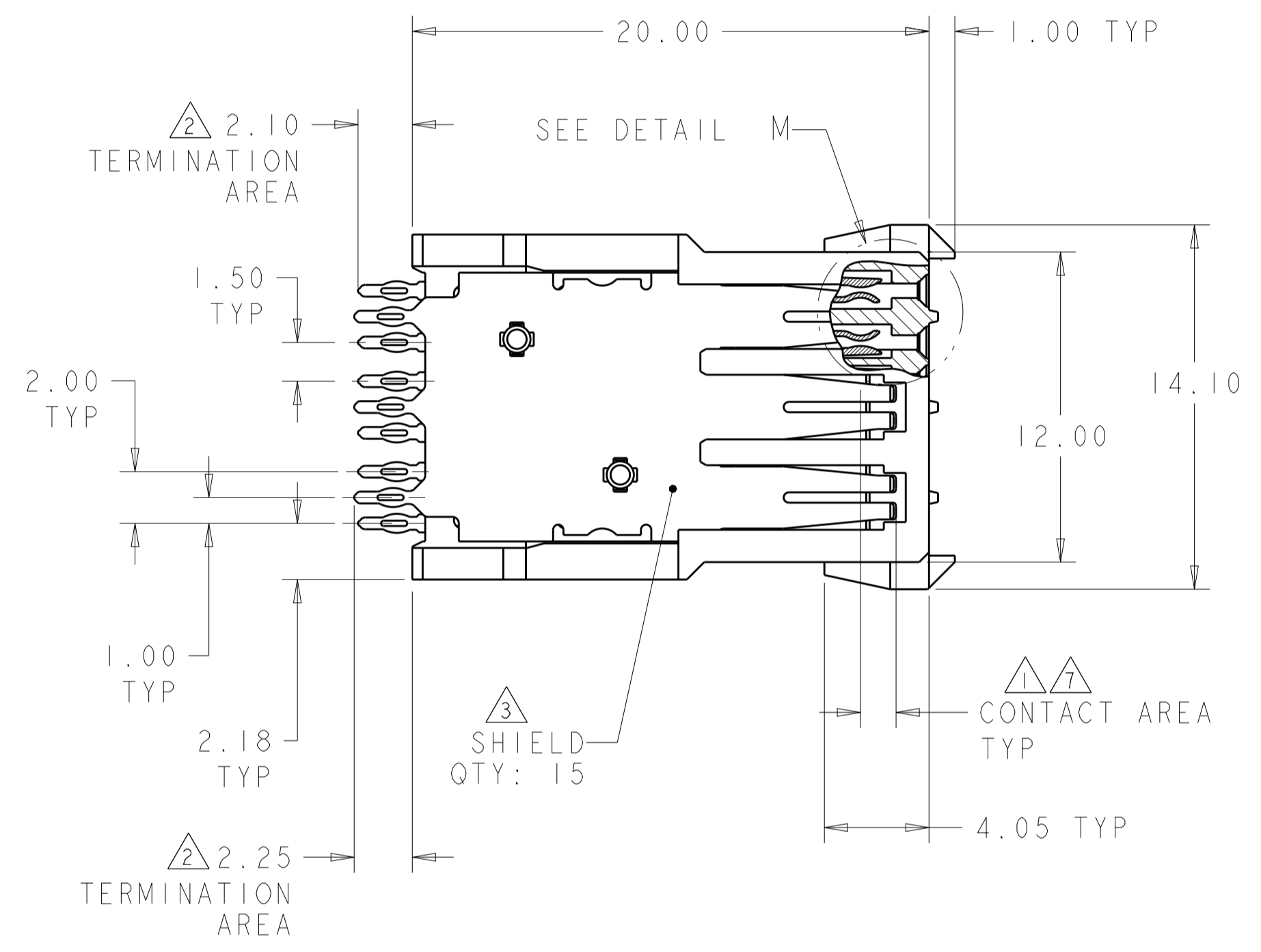
LOC	DIST	REVISIONS			
GP	00	REV	DATE	BY	APPD
		A	RELEASED	26SEP2012	- JE



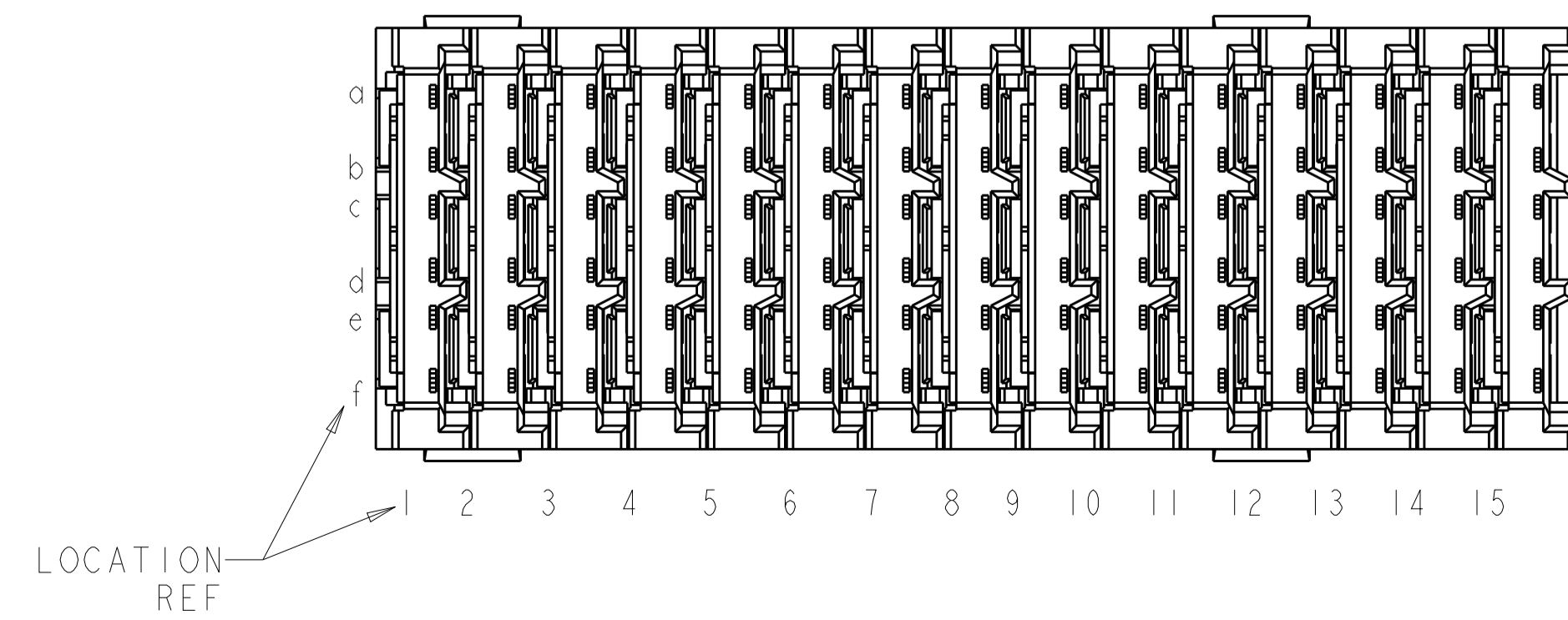
DETAIL M
SCALE 10:1



- 1 CONTACT MATING AREA MEETS THE PERFORMANCE REQUIREMENTS OF TE CONNECTIVITY PRODUCT SPECIFICATION 108-1957; BASED ON TELCORDIA GR-1217-CORE, APPLICATIONS IN UNCONTROLLED ENVIRONMENTS.
- 2 0.76µm MIN MATTE TIN OVER 1.27µm MIN NICKEL
- 3 MATERIAL:
CONTACT - COPPER ALLOY
SHIELD - PHOSPHER BRONZE
HOUSING AND CHICKLET - GLASS FILLED POLYESTER
- 4 REFERENCE APPLICATION SPEC 114-13020 FOR RECOMMENDED PLATED THRU HOLE DIAMETER AND PLATING THICKNESS
- 5 DATUM AND BASIC DIMENSION ESTABLISHED BY CUSTOMER
- 6 SEATING HEIGHT TO BOARD SURFACE
- 7 CONTACT AREA LUBRICATED WITH BELLCORE APPROVED LUBRICANT TECHNICAL REFERENCE: GR-1217-CORE, ISSUE 1, NOVEMBER 1995
- 8 DATE CODE
- 9 PART NUMBER



RECOMMENDED PRINTED CIRCUIT BOARD LAYOUT
 COMPONENT SIDE OF PRINTED CIRCUIT BOARD
 SCALE 4:1



5120948-1
PART NUMBER

THIS DRAWING IS A CONTROLLED DOCUMENT.		OWN: S. J. MAGARO 14SEP2004	TE Connectivity	
DIMENSIONS: mm		CHK: R. A. PATTERSON 14SEP2004	RECEPTACLE ASSEMBLY, 6 ROW, 90 POSITION, VERTICAL, Z-PACK HS3	
TOLERANCES UNLESS OTHERWISE SPECIFIED:		APVD: -	RESTRICTED TO	
0 PLC ±		PRODUCT SPEC	A100779C=5120948	
1 PLC ±0.13		APPLICATION SPEC	SCALE 5:1 SHEET 1 OF 1 REV A	
2 PLC ±0.050		114-13020		
3 PLC ±		WEIGHT		
4 PLC ±		CUSTOMER DRAWING		
ANGLES ±				
FINISH				
SHIELD: 3				
CONTACTS: 7				

X-ON Electronics

Largest Supplier of Electrical and Electronic Components

Click to view similar products for [Hard Metric Connectors](#) category:

Click to view products by [TE Connectivity](#) manufacturer:

Other Similar products are found below :

[10146110-VR5C](#) [6345127-1](#) [646916-9](#) [6469658-1](#) [853016](#) [973108](#) [1-2000713-0](#) [1-2000713-2](#) [1-2000713-3](#) [120646-1](#) [134187](#) [1645343-1](#)
[1645456-1](#) [1645564-3](#) [1645594-1](#) [1645601-1](#) [1934822-1](#) [2000829-2](#) [2000985-2](#) [223085-1](#) [278071110010833](#) [1645179-1](#) [1645245-1](#)
[1645457-1](#) [1645525-1](#) [1645570-1](#) [1645596-1](#) [17-8072-125-000-863+](#) [1857470-1](#) [1934275-1](#) [1934289-1](#) [1934759-1](#) [2000673-1](#) [2000843-2](#)
[2000984-2](#) [204975](#) [2170292-2](#) [2-536642-6](#) [3-100668-0](#) [3-106015-1](#) [352188-1](#) [352629-1](#) [3-646346-0](#) [3-646356-0](#) [3-646457-0](#) [3-646529-0](#) [3-646530-0](#) [5120823-1](#) [5120899-1](#) [5120948-1](#)