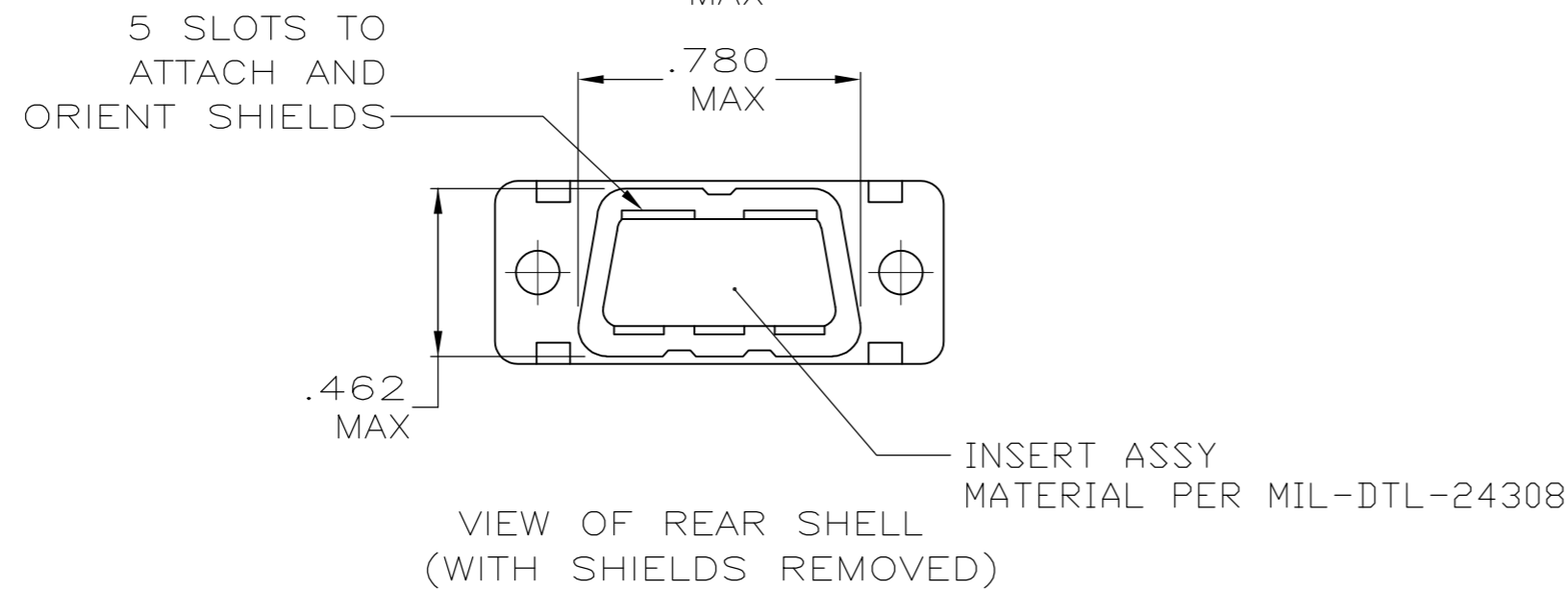
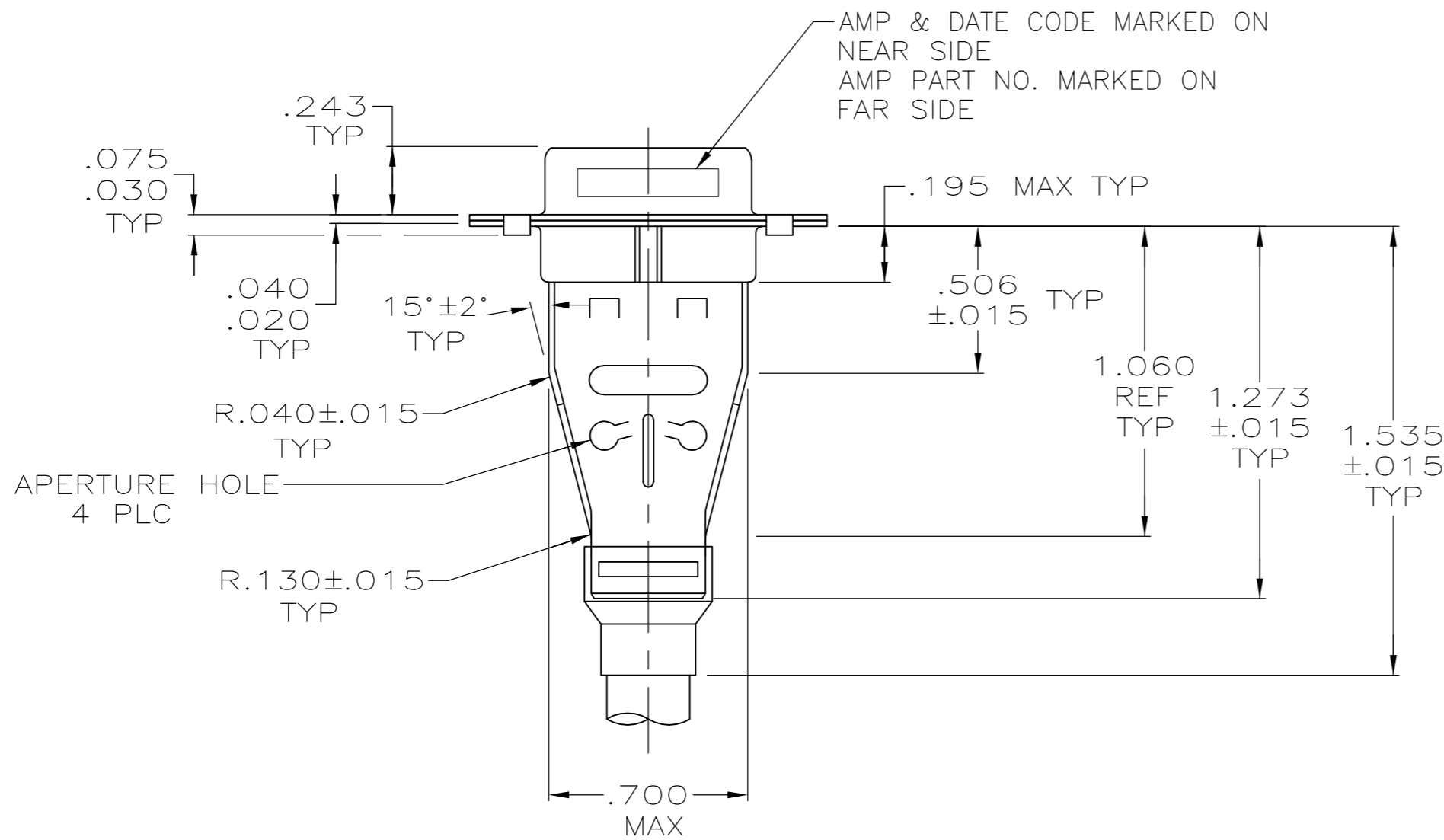
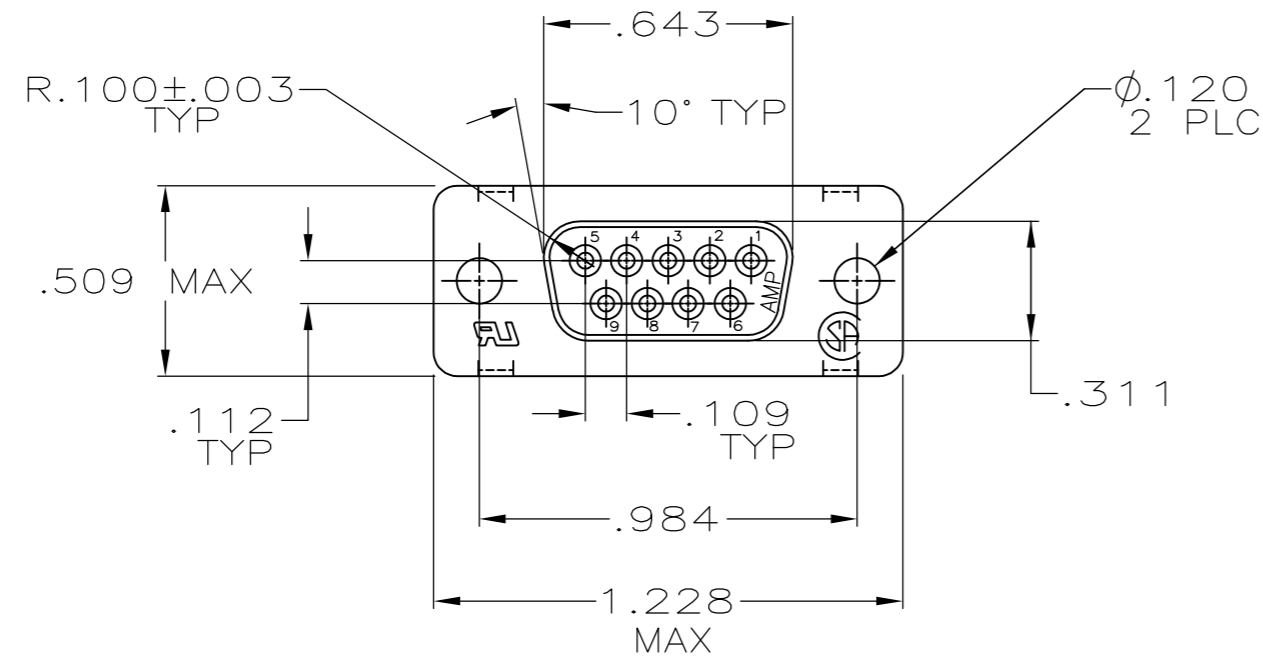
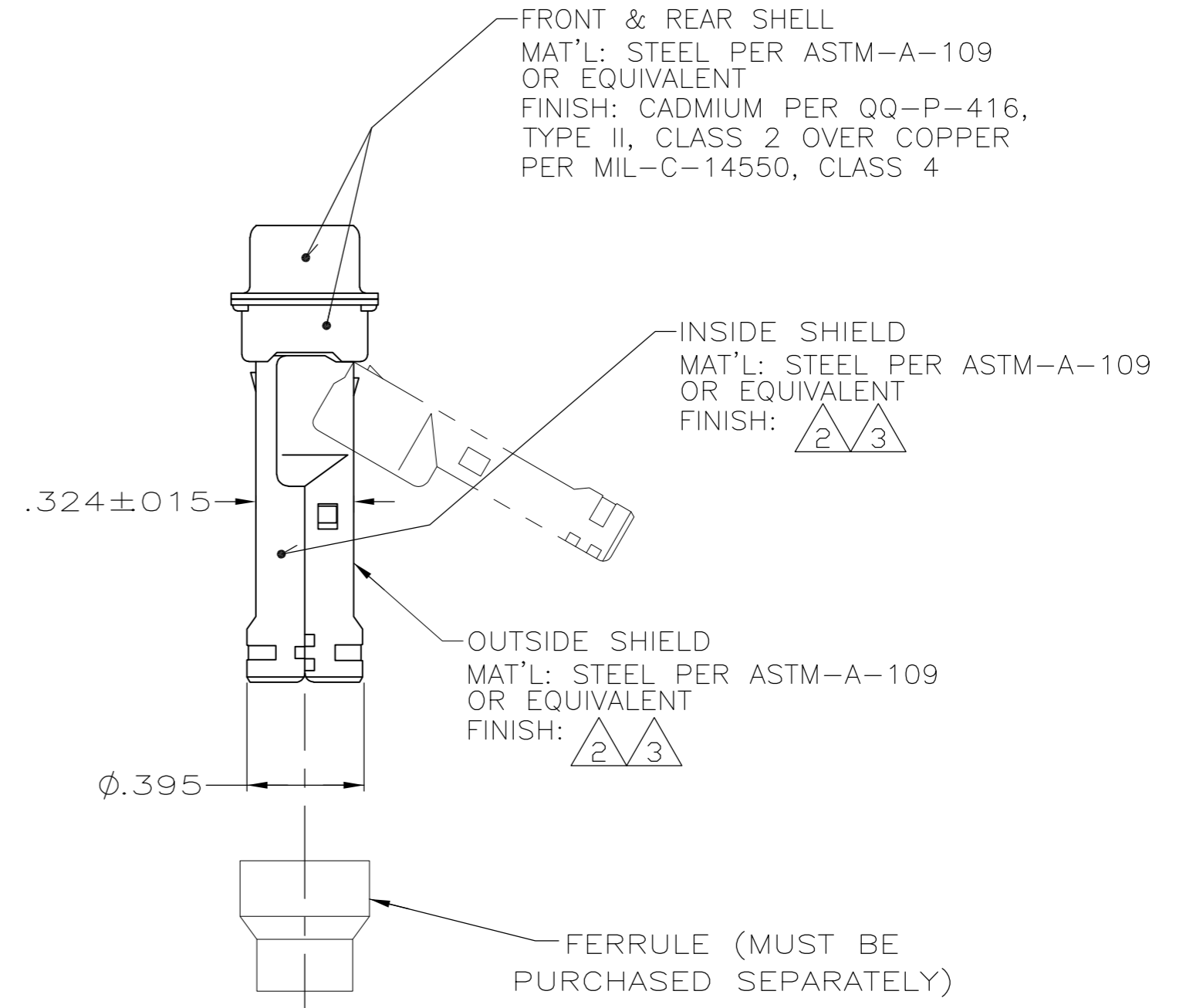


THIS DRAWING IS UNPUBLISHED. RELEASED FOR PUBLICATION
 © COPYRIGHT - By - ALL RIGHTS RESERVED.

LOC		DIST		REVISIONS			
P	LTR	DESCRIPTION	DATE	DWN	APVD		
	D	REV PER ECO 15-005911	5-28-15	CT	DM		



- CONTACTS ARE INCLUDED WITH CONNECTOR (PACKAGED SEPARATELY)
 MAT'L: BRASS PER ASTM-B-16 OR BERYLLIUM COPPER PER ASTM-B-194.
 FINISH: GOLD PER MIL-G-45204, TYPE II, GRADE C, CLASS 1 IN CONTACT MATING AREA. .000010 MIN GOLD PER MIL-G-45204 ON CONTACT BODY OVER NICKEL .000050 MIN THICK PER QQ-N-290.
- FINISH: CADMIUM PER QQ-P-416, TYPE II, CLASS 2, OVER COPPER PER MIL-C-14550 CLASS 4.
- FINISH: ZINC PLATED PER ASTM-B-633 .000200-.000400 THK WITH SUPPLEMENTARY CHROMATE (Cr3+).



3	5-1218949-1
2	1218949-1
REMARKS	PART NO

THIS DRAWING IS A CONTROLLED DOCUMENT.		DWN	C.C.THOMAS	11-9-00		TE Connectivity			
DIMENSIONS: INCHES		CHK	R.GROSS	11-9-00		NAME			
TOLERANCES UNLESS OTHERWISE SPECIFIED:		APVD	R.GROSS	11-9-00		AMPLIMITE KIT, SERIES 109, SIZE 1,9 POSN., WITH SHIELDING HARDWARE			
0 PLC ± - 1 PLC ± - 2 PLC ± - 3 PLC ± .005 [0.13] 4 PLC ± - ANGLES ± - FINISH		PRODUCT SPEC	APPLICATION SPEC			SIZE	CAGE CODE	DRAWING NO	RESTRICTED TO
MATERIAL	-	WEIGHT	-	-	A2	00779	C=1218949	-	
CUSTOMER DRAWING		SCALE	2:1	SHEET	1 of 1	REV	D		

X-ON Electronics

Largest Supplier of Electrical and Electronic Components

Click to view similar products for [D-Sub MIL Spec Connectors](#) category:

Click to view products by [TE Connectivity](#) manufacturer:

Other Similar products are found below :

[M24308/4-13Z](#) [M8351307-B](#) [D38999/20FJ43HN](#) [D38999/24WG11PB-LC](#) [D38999/24WG41HN](#) [MDM-15PH041P](#) [MDM-21PH041P](#) [MDM-21SH003B-K139](#) [850-056-0812](#) [1218697-4](#) [DBMM25S](#) [MS27467T21F41S](#) [17D25HV](#) [1996840-1](#) [243082-15](#) [1663962-1](#) [1757682-1](#) [17D-E51218-1](#) [17SDA15S](#) [1883533-1](#) [1883886-1](#) [1883889-1](#) [192900-0377](#) [308-CP6P0441-024H](#) [M24308/2-3Z](#) [M24308/4-3Z](#) [M24308/4-4F](#) [M24308/4-4Z](#) [M24308/8-347](#) [M83513/03-E09C](#) [M83723/75W2212N L/C](#) [D38999/24FJ29PN-LC](#) [D38999/24WG11SB-LC](#) [MDM-21PH046P](#) [5-1218949-1](#) [550-031NF1R6K](#) [550E001NF1R3J0L](#) [550T001NF1R6K0L](#) [557T283NF5B08](#) [C115368-1612B](#) [C115370-1717B](#) [DC121073157](#) [443869-3](#) [443869-4](#) [443869-5](#) [550S004NF1R1B0F03](#) [550-031NF1R2E](#) [550E003M2R9J0F04](#) [550E003M3R9J0F05](#) [550E024M104R9J0](#)