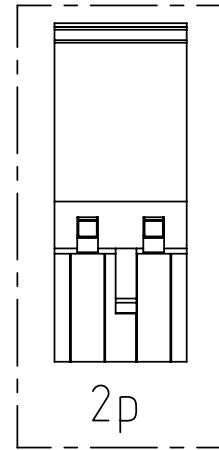
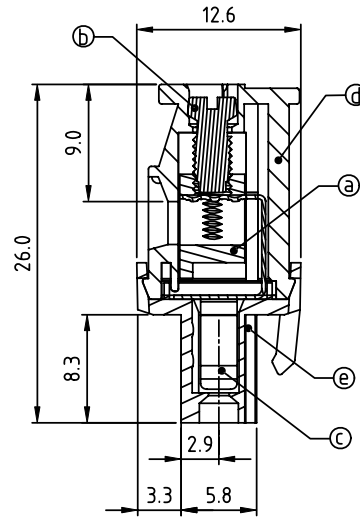
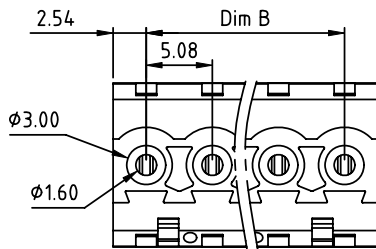
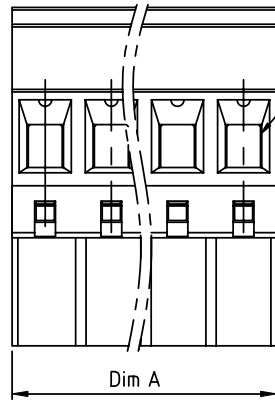
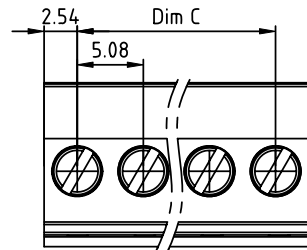


PRODUCT NUMBER	PITCH
TSxx51xB00J0G	5.08 mm



Material

- Item@Clamp: Brass(CuZn), Ni plating
- Item@ Terminal screw: Steel Zinc plating "-" slot type
- Item@ Female contact: PhBz, Tin plated
- Item@ Top body: Thermoplastic (UL94V-0)
- Item@ Bottom body: Thermoplastic (UL94V-0)

Electrical cULus/VDE/TUV

- Voltage rating: 300VAC/300VAC/300VAC
- Current rating: 15A/17A/15A
- Wire range: 2.5mm² /0.34-2.5mm²
- Solid wire(AWG): 12-24
- Stranded wire(AWG): 12-24
- Torque: 3.5Lb-In./0.5Nm/0.4Nm
- Screw: M3
- Wire strip length: 6-7mm
- Withstanding Voltage: 1.6KV/2.5KV/2.5KV
- Operating temperature: -40°C to +115°C
- Safety approval:

N = Number of poles
Dim A=Nx5.08
Dim B=(N-1)x5.08
Dim C=(N-1)x5.08

poles	Tolerance
2-6p	±0.15
7-12p	±0.25
13-18p	±0.30
19-24p	±0.40

PART NO.: TS xx 51 x B 00J0 G

Solid block	0	Color	Black (RAL9005)	RoHS compliant (lead<4%) In copper Alloy
No. of poles	2		Red (RAL3001/D)	
02 2 poles	3		Orange(RAL2011/P)	
03 3 poles	4		Yellow(RAL1018/A)	
...	...		Green(RAL6018/T)	
24 24 poles	6		Blue (RAL5015/A)	
	8		Grey(RAL7035/D)	
	9		White(RAL1102)	
	C		Green(RAL6018/U)	

mat'l. code		surface ASME Y14.5	tolerance ASME Y14.5	projection	product family TERMINAL BLOCK
ltr	ecn no	dr	date		title
				MM	TERMINAL BLOCK
				scale	PLUGGABLE PLUG,HOOK ON BACK SIDE,WITHOUT FLANGE
					dwg no
					sheet 1 of 1 size
					TSxx51xB00J0G A4
					type
					CUSTOMER Drawing
sheet index	revision	A			
	sheet	1			

X-ON Electronics

Largest Supplier of Electrical and Electronic Components

Click to view similar products for [Pluggable Terminal Blocks](#) category:

Click to view products by [FCT Electronics](#) manufacturer:

Other Similar products are found below :

[57.404.7553](#) [57.504.0053.7](#) [57.510.0053](#) [57.910.6153](#) [01.112.1453](#) [CTB932VE/6](#) [MC 1.5/ 6-ST-3.5 GY AU](#) [ET02015000J0G](#) [734-104](#) [734-302](#) [734-304](#) [8-141-P](#) [FKCT 2.5/ 3-ST KMGY](#) [860505](#) [860508](#) [860516](#) [860810](#) [861908](#) [GBPACX-12](#) [93.731.4953.0](#) [PV05-5,08-K](#) [PVP02-5,00](#) [PVP04-3,50](#) [PVS02-5,00](#) [1-1986160-3](#) [H-10](#) [1546228-5](#) [ELFH09150](#) [ELFH16150](#) [ELFP03110](#) [ELFT06250](#) [ELFT07250](#) [ELVF09400](#) [ELVP03100](#) [ELXH03100](#) [ELXH071G0E](#) [ELXP041G0](#) [ELXT046G0](#) [1700101](#) [1700410](#) [1700425](#) [1703176](#) [1705229](#) [1710175](#) [1714537](#) [1717806](#) [1719600](#) [1729386](#) [1734692](#) [1734795](#)