

PLEASE CHECK WWW.MOLEX.COM FOR LATEST PART INFORMATION

Part Number: [0513530800](#)
Status: **Active**
Overview: MicroClasp™ Wire-to-Board System
Description: 2.00mm Pitch MicroClasp™ Wire-to-Board Receptacle Housing, Positive Lock, Dual Row, 8 circuits

Documents:

[3D Model](#) [Product Specification PS-51353-010 \(PDF\)](#)
[Drawing \(PDF\)](#) [RoHS Certificate of Compliance \(PDF\)](#)
[Product Specification PS-51353-003 \(PDF\)](#)

Agency Certification

UL E29179

General

Product Family Crimp Housings
 Series 51353
 Application Signal, Wire-to-Board
 MolexKits Yes
 Overview [MicroClasp™ Wire-to-Board System](#)
 Product Name MicroClasp™
 UPC 800756611105

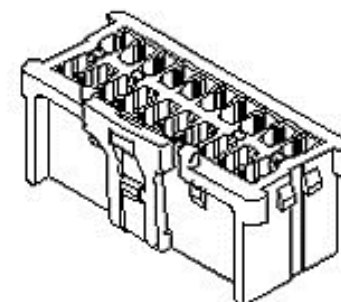
Physical

Circuits (maximum) 8
 Color - Resin White
 Flammability 94V-0
 Gender Female
 Glow-Wire Compliant No
 Lock to Mating Part Yes
 Material - Resin Nylon
 Net Weight 506.000/mg
 Number of Rows 2
 Packaging Type Bag
 Panel Mount No
 Pitch - Mating Interface 2.00mm
 Stackable No
 Temperature Range - Operating -25°C to +85°C

Material Info

Reference - Drawing Numbers

Product Specification PS-51353-003, PS-51353-010, RPS-501844-001, RPS-51353-005, RPS-51353-008, RPS-51353-009, RPS-51353-010, RPS-51353-013, RPS-51353-014, RPS-51353-016, RPS-51353-017, RPS-51353-018, RPS-51353-019, RPS-51353-020, RPS-51353-021, RPS-51353-022, RPS-51353-023, RPS-51353-024, RPS-51353-025, RPS-51353-026, RPS-51353-028, RPS-51353-030, RPS-51353-034, RPS-51353-036, RPS-51353-037
 Sales Drawing SD-51353-002



Series image - Reference only

EU ELV

Not Relevant

EU RoHS

Compliant

REACH SVHC

Yes -ED/39/2015 (15 June 2015)
 [4-[[4-Anilino-1-naphthyl][4-(dimethylamino)phenyl]-4-phenylamino]diethyl sulphate
 propylene oxide
 Acetamide, N-methyl-dinoseb (ISO)
 Imidazolidine-2-thione
 furan
 C,C'-azodi(formamide)
 tricosafuorododecanoic acid
 heptacosafuorotetradecanoic acid
 methoxyacetic acid
 1,2-diethoxyethane
 hencosafluoroundecanoic acid
 sodium
 peroxometaborate
 pentacosafuorotridecanoic acid
 3-ethyl-2-methyl-2-(3-methylbutyl)-1,3-oxazolidi
 Hydrazine
 Disodium tetraborate
 Boric acid
 HBCDD
 Trixylyl phosphate
 4-(1,1,3,3-tetramethylbutyl)phenol, ethoxylated

China RoHS

Methylhexahydrophthalic anhydride
Sodium perborate; perboric acid, sodium salt
Arsenic acid (H₃AsO₄), lead(2+) salt (1:1)
Silicic acid (H₂Si₂O₅), barium salt (1:1), lead-
Trichloroethylene 1,2,3-
Trichloropropane 1,2-dichloroethane
1-bromopropane
Dibutyltin-dichloride
Arsenic acid (H₃AsO₄), triethyl ester
4,4'-
Methylenedianiline
Dibutylphthalate
Diarsenic-pentaoxide
Diarsenic-trioxide
Di-(2-ethylhexyl)phthalat
Butyl benzyl phthalate (BBP)
2,4-dinitrotoluene
Tris(2-chloroethyl) phosphate
Boric acid, disodium salt, hydrate
1-Methyl-2-pyrrolidone
formamide
4,4'-
bis(dimethylamino)benzophenone
N,N,N',N'-tetramethyl-4,4'-methylendianiline
1,2-bis(2-methoxyethoxy)ethane
[4-[4,4'-
Bis(dimethylamino)benzhydrylidene]cyclo
4,4'-
bis(dimethylamino)-4''-(methylamino)trityl
Diboron-trioxide

Halogen-Free Status

Low-Halogen

Need more information on product environmental compliance?

Email productcompliance@molex.com
Please visit the [Contact Us](#) section for any non-product compliance questions.

China ROHS
ELV

Green Image
Not Relevant

Search Parts in this Series

51353 Series

Mates With

[55917](#) Vertical Header with Kinked PC Tails,
[55959](#) Right Angle Header, [501844](#) Vertical
Header

Use With

[56134](#) Terminal

This document was generated on 12/07/2015

PLEASE CHECK WWW.MOLEX.COM FOR LATEST PART INFORMATION

X-ON Electronics

Largest Supplier of Electrical and Electronic Components

Click to view similar products for [Headers & Wire Housings](#) category:

Click to view products by [Molex](#) manufacturer:

Other Similar products are found below :

[95000-104TRLF](#) [10135584-644402LF](#) [DF62W-EP2022PCA](#) [95000-106TRLF](#) [DF62W-2022SCA](#) [DF62W-EP2022PC](#) [2203348](#) [DF62W-2022SC](#) [1084018](#) [1029039](#) [1084017](#) [802-10-012-10-002000](#) [1112640](#) [1112639](#) [891-007-9SS-BST1T](#) [000-34000](#) [0008550134](#) [0009482033](#) [0009507031](#) [57102-F02-18ULF](#) [57102-S06-03LF](#) [57202-S52-04LF](#) [PCN6-15S-2.5E](#) [0039019024](#) [58102-G61-06LF](#) [582553-1](#) [0009485154](#) [0009508121](#) [0022285053](#) [0050291907](#) [018731A](#) [LY20-4P-DT1-P1E-BR](#) [02.125.8002.8](#) [60101931](#) [60598-1 \(Cut Strip\)](#) [M1625-3R/100](#) [61062-3](#) [61082-181009](#) [CSU011177004](#) [636-1427](#) [638009-1](#) [641938-9](#) [641991-4](#) [644168-1](#) [644827-2](#) [647662-1](#) [65039-019ELF](#) [65692-001LF](#) [65781-018](#) [65781-047](#)