

THIS DRAWING IS UNPUBLISHED. RELEASED FOR PUBLICATION
 © COPYRIGHT - Tyco Electronics AMP GmbH ALL RIGHTS RESERVED.

REVISIONS					
P	LTR	DESCRIPTION	DATE	DWN	APVD
G		BULK PACKAGING P/N CHANGED FOR P/N 6-1377173-1	15JUL2013	KJK	RP

SMALL PACK PART NUMBER	UNIT PACKAGE QTY (QTY/PLASTIC BOX)	BULK PACKAGING PART NUMBER
1377173	1	100
1377173	2	100
1377173	3	100
1377173	4	100
1377173	5	100
1377173	6	100
1377173	7	100
1377173	8	100
1377173	9	50
1377173	0	50
1377173	1	50
1377173	2	50
1377173	3	50
1377173	4	100
1377173	5	100
1377173	6	100
1377173	7	100
1377173	8	100
1377173	9	100
1377173	0	100
1377173	1	100
1377173	2	100
1377173	3	100
1377173	4	100
1377173	5	100
1377173	6	100
1377173	7	100
1377173	8	100
1377173	9	100
1377173	0	100
1377173	1	100
1377173	2	100
1377173	3	100
1377173	4	100
1377173	5	100
1377173	6	100
1377173	7	100
1377173	8	100
1377173	9	100
1377173	0	100
1377173	1	100
1377173	2	100
1377173	3	100
1377173	4	100
1377173	5	100
1377173	6	50
1377173	7	50
1377173	8	50
1377173	9	50
1377173	0	50
1377173	1	100
1377173	2	100
1377173	3	100
1377173	4	100
1377173	5	100
1377173	6	50
1377173	7	50
1377173	8	100
1377173	9	100
1377173	0	50
1377173	1	100
1377173	2	100
1377173	3	100
1377173	4	50
1377173	5	100
1377173	6	50
1377173	7	50
1377173	8	100
1377173	9	50
1377173	0	100
1377173	1	25
1377173	2	100
1377173	3	100
1377173	4	100
1377173	5	100
1377173	6	100
1377173	7	100
1377173	8	100
1377173	9	100
1377173	0	100
1377173	1	25
1377173	2	100
1377173	3	100
1377173	4	100
1377173	5	100
1377173	6	100
1377173	7	100
1377173	8	100
1377173	9	100

OBSOLETE

OBSOLETE

OBSOLETE

OBSOLETE

OBSOLETE

OBSOLETE

OBSOLETE

OBSOLETE

OBSOLETE

SUPERSEDED BY PARTNR. 4-1377173-5

SUPERSEDED BY PARTNR. 4-1377173-7

SMALL PACK PART NUMBER	UNIT PACKAGE QTY (QTY/PLASTIC BOX)	BULK PACKAGING PART NUMBER
1377173	0	100
1377173	1	100
1377173	2	100
1377173	3	100
1377173	4	100
1377173	5	100
1377173	6	100
1377173	7	50
1377173	8	50
1377173	9	50
1377173	0	50
1377173	1	50
1377173	2	100
1377173	3	100
1377173	4	100
1377173	5	100
1377173	6	100
1377173	7	100
1377173	8	100
1377173	9	100
1377173	0	100
1377173	1	50
1377173	2	100
1377173	3	100
1377173	4	100
1377173	5	100
1377173	6	100
1377173	7	100
1377173	8	100
1377173	9	100
1377173	0	100
1377173	1	50
1377173	2	100
1377173	3	100
1377173	4	100
1377173	5	100
1377173	6	100
1377173	7	100
1377173	8	100
1377173	9	100
1377173	0	100
1377173	1	50
1377173	2	100
1377173	3	100
1377173	4	100
1377173	5	100
1377173	6	100
1377173	7	100
1377173	8	100
1377173	9	100

OBSOLETE

OBSOLETE

OBSOLETE

OBSOLETE

OBSOLETE

OBSOLETE

OBSOLETE

OBSOLETE

OBSOLETE

OBSOLETE

OBSOLETE

OBSOLETE

OBSOLETE

OBSOLETE

NOTES:-


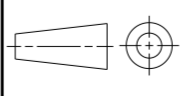
1. OBSOLETE PARTS: OBSOLETE CIS STREAMLINING PER D.RENAUD/D.SINISI

2. REFERENCE:

- PN 1377172
- 1377173
- 1377174
- 1377175

3. SHIPPER QTY = 20 X QTY/PLASTIC BOX

4. FOR PN 4-1377173-9 SHIPPER QTY IS 1400 PCS

THIS DRAWING IS A CONTROLLED DOCUMENT.		DWN RyHEUVEN 30 JUNE 06	 TE Connectivity
DIMENSIONS: mm		CHK MyDRIEL 30 JUNE 06	
		APVD MyDRIEL 30 JUNE 06	
TOLERANCES UNLESS OTHERWISE SPECIFIED:		PRODUCT SPEC	NAME SMALL PACK
0 PLC ±		APPLICATION SPEC	SIZE
1 PLC ±		WEIGHT	CAGE CODE
2 PLC ±		CUSTOMER DRAWING	DRAWING NO
3 PLC ±		SCALE	RESTRICTED TO
4 PLC ±		SHEET 1 OF 1	REV G
ANGLES ±			
FINISH			

X-ON Electronics

Largest Supplier of Electrical and Electronic Components

Click to view similar products for [Terminals](#) category:

Click to view products by [TE Connectivity](#) manufacturer:

Other Similar products are found below :

[HT-13-10](#) [71M-250-32-NB](#) [01-2065-1-0216](#) [00581P0075](#) [M10-10RX](#) [M10BCK](#) [60205-1](#) [604200-1](#) [60598-1-CUT-TAPE](#) [60617-1-C](#) [60873-1](#) [M14-516R/SK](#) [M14-6RSX](#) [M18-10FLX](#) [M18-8FBX](#) [M18-8R/LX](#) [M18BCK](#) [61314-6-C](#) [61-S](#) [61-SN-A](#) [62-NBM-A](#) [63-S](#) [640179-1](#) [640917-2-CUT-TAPE](#) [6501550002](#) [66107-2-C](#) [66107-4-C](#) [696683-1](#) [696834-1](#) [696861-1](#) [696931-1](#) [696999-1](#) [M8-516RK](#) [M86700006](#) [MA250DMFMX-A](#) [701-2007](#) [701-2307](#) [701-7761-03](#) [70F-110-32-PB](#) [718-N-A](#) [71M-187-20-NBL](#) [71M-250-32-NBL](#) [72F-187-20-NBL](#) [72M-250-32-NBL](#) [7310](#) [73F-250-32](#) [73F-250-32-NBL](#) [73F-250-32-NL](#) [F14-10C](#) [F-1M](#)