

Electrical and Acoustical Parameter

Rated Voltage (VDC)	12.0
Operating Voltage (VDC)	5.0-28.0
Current Consumption (mA@rated voltage)	max. 20.0
Sound Pressure Level (dBA@1m, rated voltage)	85+/-3
Resonance Frequency (Hz)	2900±500
Tone	Continuous and Pulse Tone
Pulse Rate	80 ± 20c/m On/Off time 50% ± 20%
Remark:	n.a.

Mechanical, Environmental Parameter

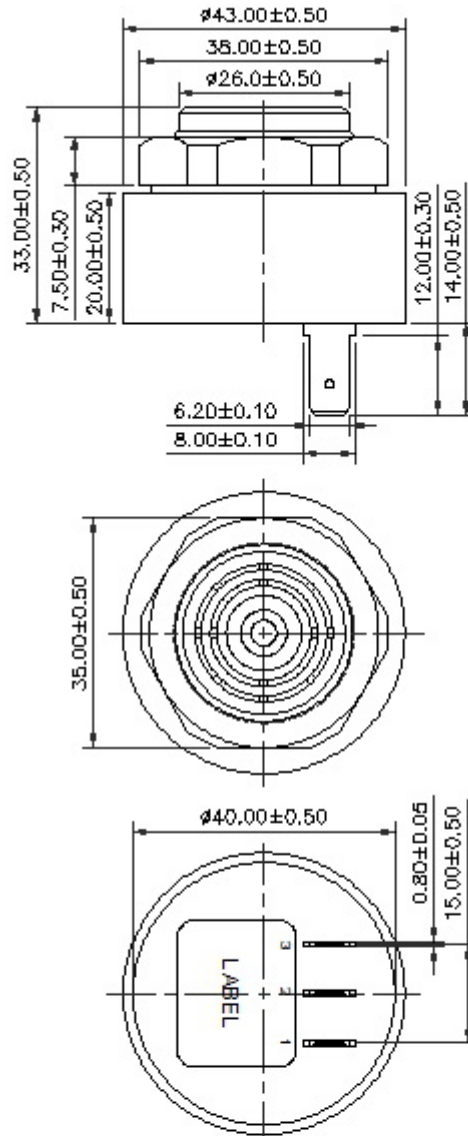
Contact	Faston 6.3
Operating Temperature (°C)	-20 to +75
Storage Temperature (°C)	-30 to +80
Material Housing	ABS
Colour Housing	grey
IP Rating	65
Component weight (g)	40
Packaging	Box
Remark:	

Approval

RoHs	<input checked="" type="checkbox"/>
UL	<input type="checkbox"/>

Designed by	MZ	09.12.2015	Dimensions without tolerance ±0.5mm	Index: 00	Current date
Released by	CB	09.12.2015	Drawing number	151209.3BZ	09.12.2015
Changed by					Page 1 of 3

Drawing of Component



Label:



Designed by	MZ	09.12.2015	Dimensions without tolerance $\pm 0.5\text{mm}$	Index: 00	Current date
Released by	CB	09.12.2015	Drawing number	151209.3BZ	
Changed by					
					Page 2 of 3

Reliability Test

n.a.

Packaging Information

20pcs/carton

Revision Table

Index Nr.	Date Reason - Procedure Change description	Drawing Date	implementation	Comments
			LS-Nr.: Date	

Designed by	MZ	09.12.2015	Dimensions without tolerance ±0.5mm	Index: 00	Current date
Released by	CB	09.12.2015	Drawing number 151209.3BZ		09.12.2015
Changed by					

X-ON Electronics

Largest Supplier of Electrical and Electronic Components

Click to view similar products for [Speakers & Transducers](#) category:

Click to view products by [Digisound](#) manufacturer:

Other Similar products are found below :

[AS02016MR-2-R](#) [PB-1220PE](#) [PB-2015PQ](#) [900-00001](#) [SMT-2240-TW-2-R](#) [SWFK-31736-000](#) [PT-2065FW](#) [PT-4175W](#) [AT-2830-TW-LW35-R](#) [ED-30761-000](#) [ED-31305-163](#) [CI-30120-A42](#) [TWFK-23991-000](#) [PB-0927PQ](#) [BF-7083-000](#) [AB6505B](#) [AS01708MR-SC-2-R](#) [AT-5030-TF-2-LW100-R](#) [AST-03008MR-R](#) [AS04008PS-4W-R](#) [AS01308MR-2-R](#) [AS01808AO-WP-R](#) [AS01508MR-6-R](#) [AS07108PO-R](#) [AS07708PS-2-WR-R](#) [AS07104PO-R](#) [SMS2020-08H4.5 LF](#) [BDT1717-08H6.5W56MLF](#) [SMS-2008MS-R](#) [AS04008PS-4W-WR-R](#) [AS06608PS-WR-R](#) [BLS50-1-08H18.2B-03 LF](#) [AS07008PO-2-R](#) [AS03008MR-R](#) [AS04008CO-2-R](#) [AS04008PR-WR-R](#) [ASE03008MR-LW150-R](#) [AS01808MR-LW152-R](#) [AS01808MR-R](#) [AS03608MR-4-R](#) [AS06608PS-R](#) [AS07708PS-2-R](#) [ASE06008MR-LW150-R](#) [ASE02008MR-LW150-R](#) [AST-1732MR-R](#) [SMS-1508MS-2-R](#) [AS05708MR-R](#) [AS05008MR-R](#) [APS3008S-R](#) [AS02008MR-R](#)