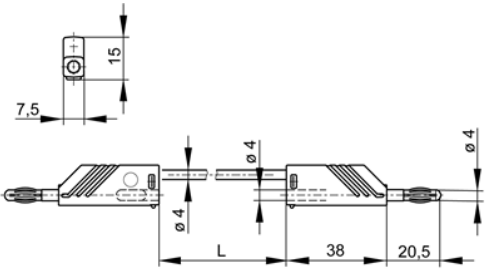
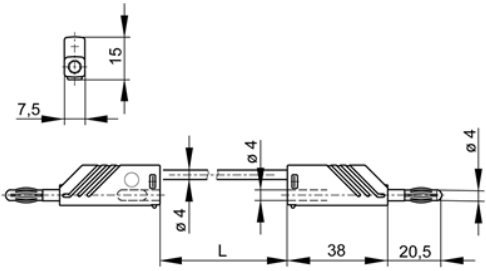


datasheet for MLN SIL 150/1  
 article number: 934093100



<b>product description:</b>	order number: 934 093-100
<b>description:</b>	Measuring lead, at either end 4 mm diameter plug with caged spring and 4 mm diameter socket for tower construction. Nickel-plated copper beryllium contact spring. Highly flexible, double insulated stranded lead, grip and lead shatter-proof. Built in colour indicator for easy identification of insulation damages.
<b>typ:</b>	MLN SIL 150/1 schwarz/black
<b>system:</b>	4mm system
<b>order number:</b>	934 093-100
<b>color</b>	●
<b>other color versions:</b>	●●●●●
<b>technical data</b>	
<b>measurement category acc. to IEC 61010:</b>	CAT I
<b>pin dimensions</b>	4 mm
<b>type of contact:</b>	pin (spring loaded)
<b>cable type:</b>	LEH-XY
<b>cable specification:</b>	most flexible lead, high temperature resistant
<b>wire stranding:</b>	259 x 0.07 mm
<b>rated voltage:</b>	30 VAC / 60 VDC
<b>rated current:</b>	16 A
<a href="#">Please consider derating curve!</a>	
<b>contact resistance:</b>	34 mOhm
<b>cable length:</b>	150 cm
<b>conductor size:</b>	1 mm <sup>2</sup>
<b>cable material:</b>	silicone
<b>cable color:</b>	black
<b>material</b>	
<b>contact material:</b>	contact pin: brass contact spring: copper - beryllium
<b>contact surface material:</b>	nickel
<b>housing material:</b>	PA
<b>environmental conditions:</b>	
<b>temperature range:</b>	-15 °C to +70 °C

<b>inflammable class:</b>	
<b>housing (basic material):</b>	UL 94 V - 2
<b>drawing</b>	



## X-ON Electronics

Largest Supplier of Electrical and Electronic Components

*Click to view similar products for [Test Leads](#) category:*

*Click to view products by [Hirschmann](#) manufacturer:*

Other Similar products are found below :

[R928010000](#) [R928142000](#) [1301430020](#) [15101](#) [15115](#) [15117](#) [15301](#) [15303](#) [15304](#) [15102](#) [15120](#) [15308](#) [15408](#) [15302](#) [15306](#) [15307](#) [15403](#)  
[15407](#) [15409](#) [15501](#) [15506](#) [EM3782-12-7#](#) [EM4702-12-0](#) [BU-1149-A-36-0](#) [BU-1481-E-12-0](#) [BU-1481-E-24-0](#) [2524-A-60](#) [924961-C](#)  
[924964-C](#) [924966-C](#) [924967-C](#) [LB1F-2R-RED](#) [LB1F-2R-YLW](#) [2500](#) [2501](#) [2524-A-48](#) [2977-J-48](#) [R928051000](#) [R928141000](#) [R928143000](#)  
[R948131000](#) [BU-1449-E-12-2](#) [BU-1480-E-24-0](#) [BU-1481-E-12-2](#) [BU-1481-E-24-2](#) [LB1F-2R-BLK](#) [LB1F-2R-BLUE](#) [EM3542-1#](#) [EM3782-](#)  
[12-8#](#) [6345](#)