

OPTOTRONIC® Electronic 24V DC LED Power Supplies



OPTOTRONIC power supplies are compact and electronically stabilized. The wide range of input voltage, on select models, from 100 to 277 VAC enables worldwide use on single-phase AC power lines. These supplies are available with 24VDC outputs. OPTOTRONIC power supplies are protected against open circuit, short circuit, overload and overheating conditions. They meet the highest industry standards.

Key Features & Benefits

- Damp and wet rated designs available for use in outdoor applications
- Wide Input voltage range: 100-277V AC (select models)
- Broad ambient temperature range for use in extreme application conditions
- Electronically stabilized output voltage with low line ripple
- Integrated dimming (select models)
- Short circuit, overload and overheat protection for sustained performance
- High power factor and efficiency
- Compact enclosures for variety of applications and fixture designs
- UL Class 2 output for safe operation
- Exceptional line and load regulation

Product Offering

Ordering Abbreviation	Output Wattage	Output Voltage
OT6W/24V/120V	6	24
OT17W/24V/UNV	17	24
OT20W/24V/120-240V/SQ	20	24
OT30/120/24CORD	30	24
OT50W/24V/120V/LP	50	24
OT75W/24V/UNV	75	24
OT96W/24V/UNV	96	24
OT96W/24V/UNV/DIM*	96	24
OT96W/24V/UNV/JBX	96	24
OT240W/3X24V/120-240V/JBX	240	24

LED power supplies compatible with: 24V LED Modules
*Dimmable

Application Information

Applications

- Ambience lighting inside furniture
- Backlighting
- Compact installations
- Effect lighting
- General lighting
- Low & medium power applications
- Panel lighting
- Path and roadway marking
- Signs
- Step and seat marking
- Wall washing

Specifications and Certifications



OT6, OT17, OT20, OT75, OT96, OT96DIM: UL 1310, UL48
Recognized for US & Canada Class 2 Unit
OT50: UL1310 Recognized for US & Canada Class 2 Unit



OT96 (NAED 51626) & OT240 (NAED 51627): UL48 Listed
for US & Canada Class 2 Unit



OT30: ETL listed and
conforms to UL1310



OT6, OT75 are CSA approved



This light source meets restrictions
on hazardous substances.

FCC 47CFR Part 15 compliant



Specification Data

Fixture Description:	Type
Project/Job:	
SYLVANIA lamp:	
SYLVANIA ballast:	
Notes:	

Ordering Information

Item Number	Ordering Abbreviation	Nominal Input Voltage (V)	Nominal Input Current (A)	Power Factor	Nominal Input Power (W)	Output Voltage (VDC)	Output Power Range (W)	Max. Line Ripple (V)	UL/ETL File #	Location Rating
51503	OT6W/24V/120V	120	0.11	0.55	7.1	24.0±0.5	0.9-6	±0.2V	E258264	Damp
51622	OT17W/24V/UNV*	120 277	0.19 0.10	0.92	21	24.0±0.5	0.8-17	±1.0V	E220096	Damp
51512	OT20W/24V/120-240V/SQ	120 240	0.38 0.19	0.5	23	24.0±1.0	0.9-20	±0.2V	E258264	Dry
51521	OT30/120/24CORD	120	0.63	0.5	38	24.0±1.0	1-30	±1.5V	3137489	Dry
51598	OT50W/24V/120V/LP	120	0.47	0.99	56	24.0±0.5	0.9-50	±0.2V	E248522	Dry
51514 ³	OT75W/24V/UNV	120 277	0.76 0.33	0.99	90	24.0±0.5	0.9-75	±0.2V	E258264	Damp
51522 ⁴	OT96W/24V/UNV	120 277	0.97 0.39	0.9	107	24.0±0.25	1-96	±1.0V	E320395	Damp
51626	OT96W/24V/UNV/JBX	120 277	0.91 0.39	0.99	108	24.0±0.5	0.8-96	±1.0V	E320395 UL Listed	Wet ²
51627	OT240W/3X24V/120-240V/JBX	120 240	2.39 1.19	0.99	285	24.0±0.5	0.8-240	±1.0V	E320395 UL Listed	Wet ²

*7W is the minimum output power required when operating at the 277V input voltage.

Dimmable Power Supply

Item Number	Ordering Abbreviation	Nominal Input Voltage (V)	Nominal Input Current (A)	Power Factor	Nominal Input Power (W)	Output Voltage Range (VDC)	Output Power Range (W)	Max. Line Ripple (V)	Dimming Mode	Dimming Control	Dimming Range	UL File #	Location Rating
51520	OT96W/24V/UNV/DIM	120 277	0.97 0.39	0.9	107	24.0±0.25	1-96	±1.0V	PWM	0-10V DC	10-100%	E320395	Damp

Notes:

- All power supplies can be remote mounted up to 32 feet. Although it is possible to exceed the remote mounting distance, the installer and/or end user must take precautions to prevent and/or test the effects of EMI (electromagnetic interference).
- Use wiring rated and marked PLTC, CL3R, and "sun resistant"
- 51514 replaces 51513 (OT75/120/24), which is discontinued
- 51522 replaces 51510, which is discontinued

Ordering Guide

OT	240W	/	3x24V	/	120-240	/	JBX
OPTOTRONIC®	Output Wattage		Output Voltage		Input Voltage		Junction Box

Minimum and Maximum Ratings

Parameter	Power Supply	Values
Input Voltage Range (Min/Max)	OT6 OT20 and OT240 OT30 and OT50 OT17, OT75 and OT96	90-132 VAC 108-254 VAC 108-132 VAC 108-305 VAC
Input Frequency		50/60Hz
Ambient Temperature Range	OT6, OT20 and OT50 OT30, OT96 OT75 OT17, OT96JBX and OT240	-20°C through +50°C -20°C through +40°C -25°C through +60°C -30°C through +70°C (2% de-rating per °C from 50°C)
Max. Case Temperature	OT30 OT6, OT50 OT20, OT96 OT17, OT75, OT96JBX and OT240	45°C 70°C 75°C 90°C

Assembly and Wiring Diagrams

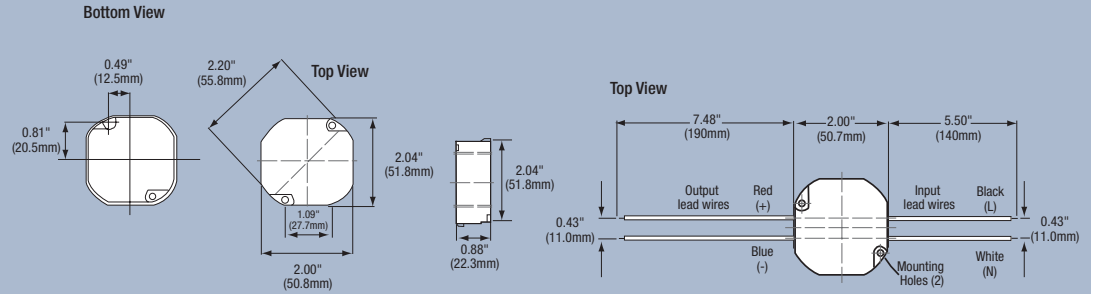
OT6 Case:

Packaging:

Quantity: 20 pieces/carton
 Weight: 0.16 lbs each (approx.)
 3.72 lbs/carton

Wiring: Leads only (no connectors)

Input: (18AWG wire)
 Output: (18AWG wire)



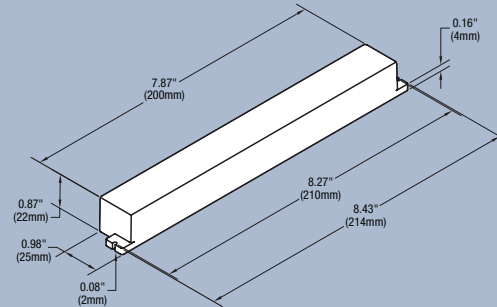
OT17 Case:

Packaging:

Quantity: 50 pieces/carton
 Weight: 0.36 lbs each (approx.)
 18.3 lbs/carton

Wiring: Leads only (no connectors)

Input: 6" (18AWG wire) black & white wires
 Output: 6" (18AWG wire) gray+ and black- wires



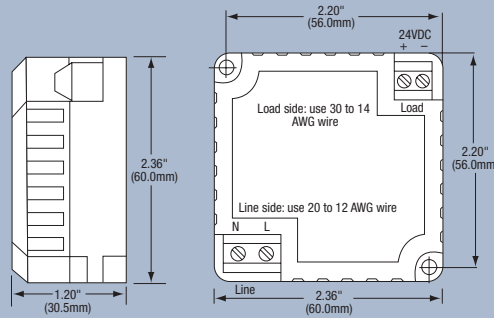
OT20 Case:

Packaging:

Quantity: 30 pieces/carton
 Weight: 0.21 lbs each (approx.)
 6.30 lbs/carton

Wiring: Connectors only (No leads provided)

Use solid or stranded copper wire only



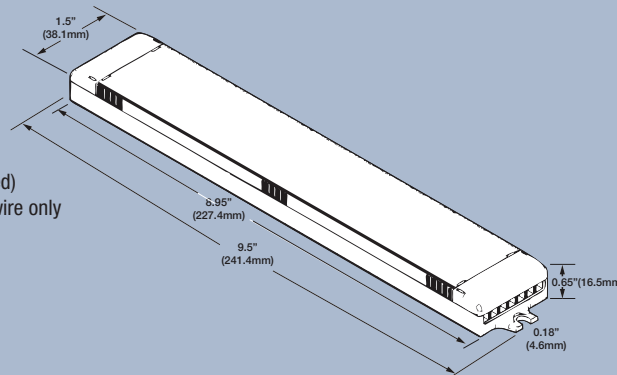
OT50 Case:

Packaging:

Quantity: 20 pieces/carton
 Weight: 0.4 lbs each (approx.)
 8.5 lbs/carton

Wiring: Connectors only (No leads provided)

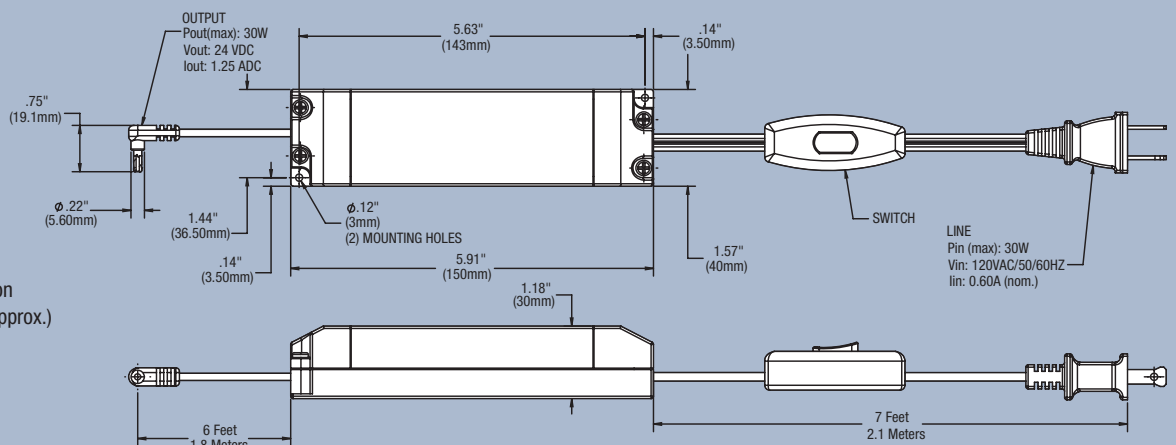
Use 14-22AWG solid or stranded copper wire only



OT30 Case:

Packaging:

Quantity: 50 pieces/carton
 Weight: 0.63 lbs each (approx.)
 31.77 lbs/carton



Assembly and Wiring Diagrams (continued)

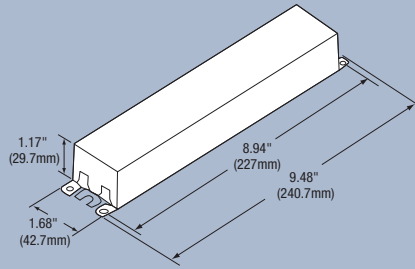
OT75 & OT96 Case:

Packaging:

Quantity: 10 pieces/carton
Weight: 1.35 lbs each (approx.)
14 lbs/carton

Wiring: Leads only (no connectors)

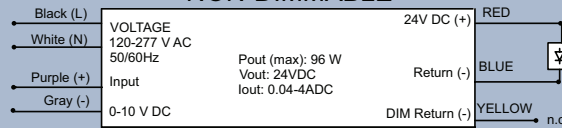
AC Input: 9" (18AWG wire) black & white wires
Output: 9" (18AWG wire) red+ & blue- wires



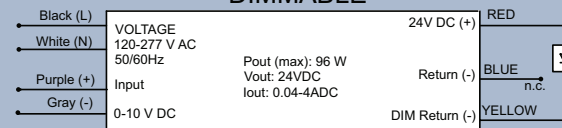
OT96DIM only:

DIM Input: 9" (18AWG wire) gray & purple
DIM Output: 9" (18AWG wire) yellow

NON-DIMMABLE



DIMMABLE



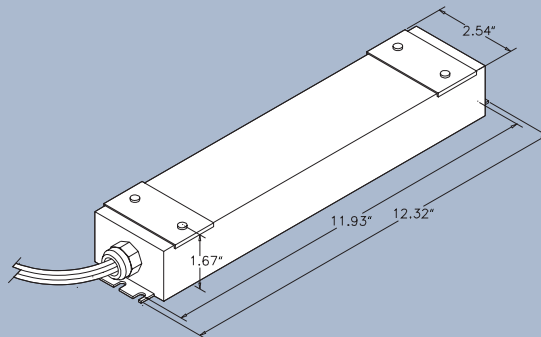
OT96JBX Case (Wet Rated):

Packaging:

Quantity: 16 pieces/carton
Weight: 2 lbs each (approx.)
33 lbs/carton

Wiring: Leads only (2.76" 18AWG wire)

Input: black (L), white (N), & green/yellow (GRD) wires with a UL Listed, 1/2" metallic fitting
Output: gray (+) & black (-) with a UL Listed, 1/2" plastic fitting

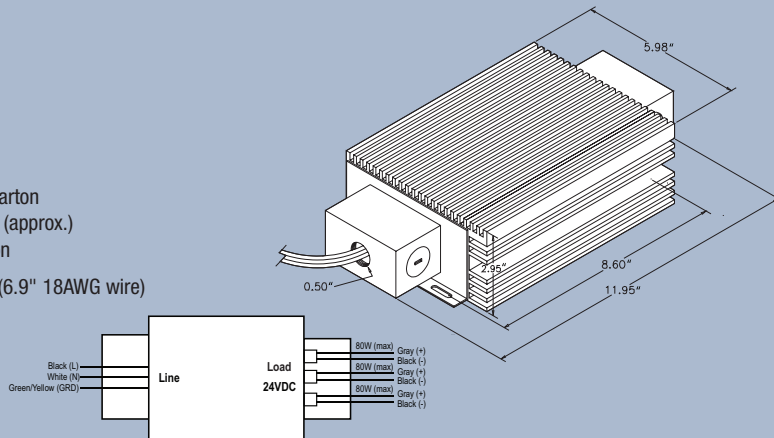


OT240 Case:

Packaging:

Quantity: 5 pieces/carton
Weight: 11 lbs each (approx.)
53 lbs/carton

Wiring: Leads only (6.9" 18AWG wire)



Warranty

OPTOTRONIC® Products are covered by our LED Module, OPTOTRONIC Power Supply or Control Warranty. For additional details, refer to the latest version of the warranty available at www.sylvania.com/LED.

United States

OSRAM SYLVANIA

100 Endicott Street
Danvers, MA 01923

Trade

Phone: 1-800-255-5042
Fax: 1-800-255-5043

National Accounts

Phone: 1-800-562-4671
Fax: 1-800-562-4674

OEM/Special Markets

Phone: 1-800-762-7191
Fax: 1-800-762-7192

Display/Optic

Phone: 1-888-677-2627
Fax: 1-800-762-7192

SYLVANIA Lighting Services

Phone: 1-800-323-0572
Fax: 1-800-537-0784

Canada

OSRAM SYLVANIA LTD.

2001 Drew Road
Mississauga, ON L5S 1S4

Trade

Phone: 1-800-263-2852
Fax: 1-800-667-6772

OEM/Special Markets/Display/Optic

Phone: 1-800-265-2852
Fax: 1-800-667-6772

SYLVANIA Lighting Services


Phone: 1-800-663-4268
Fax: 1-866-239-1278

Mexico

OSRAM MEXICO

Headquarters
Tultitlan/Edo de Mexico
011-52-55-58-99-18-50

www.sylvania.com

SYLVANIA, The System Solution,  and SEE THE WORLD IN A NEW LIGHT are registered trademarks of OSRAM SYLVANIA Inc. OSRAM and OPTOTRONIC are registered trademarks of OSRAM AG. Specifications subject to change without notice.

X-ON Electronics

Largest Supplier of Electrical and Electronic Components

Click to view similar products for [LED Power Supplies](#) category:

Click to view products by [OSRAM](#) manufacturer:

Other Similar products are found below :

[ESS015W-1000-12](#) [EUC-075S105DT](#) [PDA-WIFI](#) [PIFC-K250F](#) [PITB-K222A](#) [ALD-514012PJ134](#) [LB240S24KH](#) [LMH020-SPLC-0000-0000001](#) [79534](#) [79535](#) [EUG-200S210DT](#) [ESS030W-1050-21](#) [ESS030W-0900-32](#) [BPOXL 4-12-035](#) [SLM160W-3.9-40-ZA](#) [ESS010W-0180-42](#) [ESS010W-0350-24](#) [ESS010W-0200-42](#) [PDA080B-1A0G](#) [PDA150B-S1A5G](#) [ZPS-20](#) [SLM140W-1.05-130-ZA](#) [ESS040W-1400-27](#) [ESS015W-0700-18](#) [ESS010E-0250-42](#) [EDC-100S105SV-0007](#) [79278](#) [EUD-150S350DVA](#) [LWA320-C420-ARK-B](#) [50304](#) [HVG-320-36AB](#) [HVG-320-54AB](#) [OT FIT 50/220-240/300 D L](#) [OT FIT 35/220-240/350 D CS L](#) [OT FIT 65/220-240/350 D CS L](#) [ELEMENT 30/220-240/700 S](#) [LC 75W 100-400MA 1-10V LP EXC](#) [LCA 35W 150-700MA ONE4ALL LP PRE](#) [LCA 50W 100-400MA ONE4ALL LP PRE](#) [LCA 50W 350-1050MA ONE4ALL LP PRE](#) [LCA 50W 350-1050MA 2XCH LP PRE](#) [LCI 150/325-1050/300 O4A SL PRE](#) [LCA 75W 100-400MA ONE4ALL LP PRE](#) [LCA 45W 500-1400MA ONE4ALL SC PRE](#) [LC 50W 100-400MA FLEXC LP EXC](#) [LCA 75W 350-1050MA ONE4ALL LP PRE](#) [LC 50W 350-1050MA FLEXC LP EXC](#) [LC 75W 350-1050MA FLEXC LP EXC](#) [LCA 75W 900-1800MA ONE4ALL LP PRE](#) [LCA 100W 250-700MA ONE4ALL LP PRE](#)