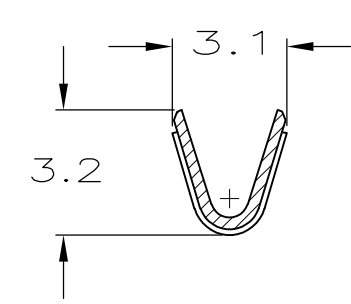
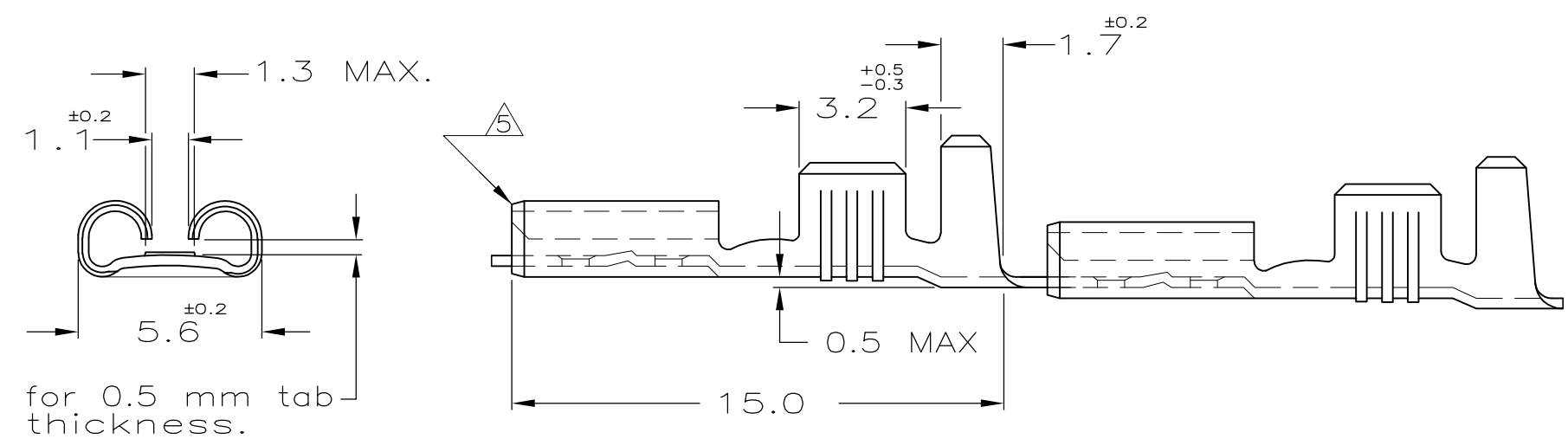
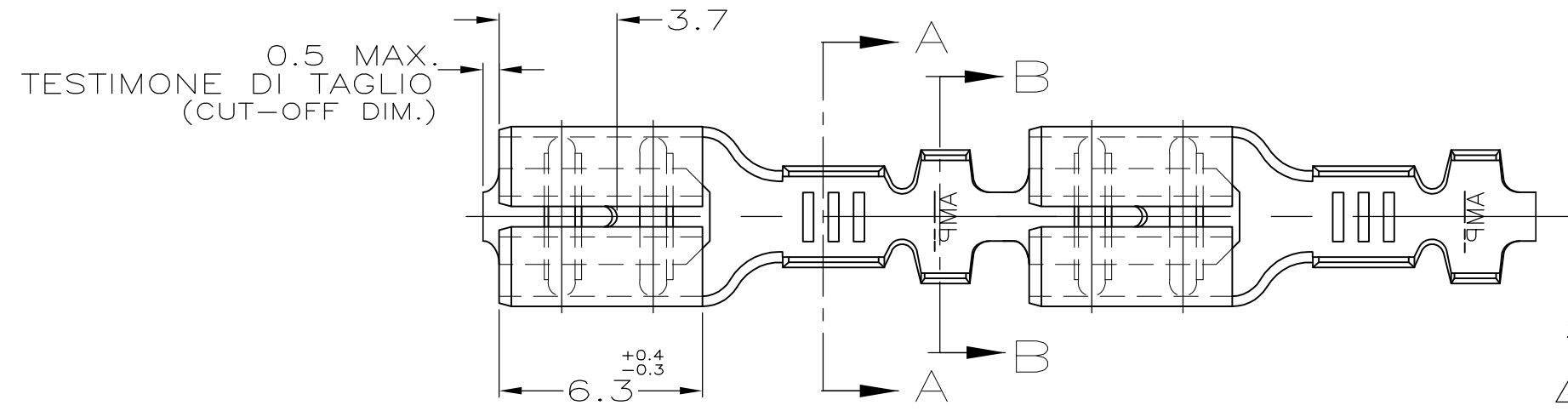
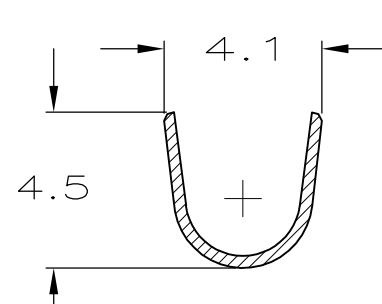


THIS DRAWING IS UNPUBLISHED.
 QUESTO DISEGNO NON DEVE ESSERE DIVULGATO O RIPRODOTTO.
 © COPYRIGHT - By -
 RELEASED FOR PUBLICATION
 E' CONSENTITA LA DIVULGAZIONE
 ALL RIGHTS RESERVED.
 TUTTI I DIRITTI SONO RISERVATI

LOC	DIST	REVISIONS REVISIONI			
P	LTR REV	DESCRIPTION DESCRIZIONE	DATE DATA	DWN DIS.	APVD APP.
-	-	AZ3	REVISED PER ECO-11-005301	02MAR11	RK HMR



(SEZIONE A-A)
(SECTION A-A)



(SEZIONE B-B)
(SECTION B-B)

DIAM. ISOLANTE INSUL. RANGE	RANGO FILO WIRE RANGE
2.3-3.3mm ϕ	0.5 - 1.5mm ²

- 1) STATO DI FORNITURA - SCALA 1:1
(SUPPLY CONDITION - SCALE 1:1)
 - 2) SPECIFICA DI PRODOTTO 108-20019
(PRODUCT SPEC. 108-20019)
 - 3) BOBINATO CON INTRODUZIONE DI CARTA INTERPOSTA
(REELED WITH INTERLEAVE PAPER STRIP)
 - 4) PER LE VERSIONI IN PEZZI SCIOLTI
VEDERE DISEGNO 160493
(FOR LOOSE PIECE VERSION SEE DRAWING 160493).
- \triangle SMUSSO FRONTALE
(CHAMFER AROUND FRONT OF RECEPTACLE)
 \triangle FABBRICATO IN TE CONNECTIVITY BRASIL, QUANTITA' PER BOBINA 15M.
(MANUFACTURED IN TE CONNECTIVITY BRASIL, Q.TY/REEL 15M).
- SENDO DI USCITA DEL TERMINALE DALLA BOBINA
(DIRECTION OFF TOP OF REEL)

\triangle \triangle \triangle	STAGNATO (TIN PLATED)	OTTONE (BRASS)	7-160433-8	AY
\triangle	NUDO (UNPLATED)	OTTONE (BRASS)	7-160433-1	AY
	STAGNATO (TIN PLATED)	BRONZO FOSF. (PH. BRONZE)	6-160433-5	Z
\triangle	STAGNATO (TIN PLATED)	OTTONE (BRASS)	5-160433-6	AY
OBSOLETE	PRE NICHELATO (PRE NICKEL PL.)	ACCIAIO (STEEL)	5-160433-4	Z
	NUDO (UNPLATED)	OTTONE (BRASS)	5-160433-1	Z
NOTE	FINITURA/COLORE (FINISH/COLOR)	MATERIALE (MATERIAL)	NUMERO (P/N)	REV

THIS DRAWING IS A CONTROLLED DOCUMENT. QUESTO DISEGNO E' UN DOCUMENTO CONTROLLATO.		DWN/DIS. 01 FEB 2000 H.YAALI	TE Connectivity FASTON Connector, .187 sr. REC. CONTACT.	
DIMENSIONS: DIMENSIONI: mm		CHK/CONT. 01 FEB 2000 C.TARTARI		
TOLERANCES UNLESS OTHERWISE SPECIFIED: TOLLERANZE: SE NON DIVERSAMENTE SPECIFICATO		APVD / APP.	NAME NOME	
0 PLC / DEC \pm -		PRODUCT SPEC SPEC DI PRODOTTO	SIZE	
1 PLC / DEC \pm 0.3		APPLICATION SPEC SPEC DI APPLICAZIONE	CAGE CODE	DRAWING NO NUMERO
2 PLC / DEC \pm -		WEIGHT PESO	A3	00779
3 PLC / DEC \pm -		CUSTOMER DRAWING DISEGNO PER CLIENTE SOLO PER RIFERIMENTO		
4 PLC / DEC \pm -		SCALE SCALA	SHEET FOGLIO	OF DI
ANGLES / ANGOLI \pm 2'		5:1	1	1
MATERIAL MATERIALE	FINISH FINITURA	RESTRICTED TO		REV
-	-	-		AZ3

X-ON Electronics

Largest Supplier of Electrical and Electronic Components

Click to view similar products for [Terminals](#) category:

Click to view products by [TE Connectivity](#) manufacturer:

Other Similar products are found below :

[HT-13-10](#) [71M-250-32-NB](#) [01-2065-1-0216](#) [00581P0075](#) [M10-10RX](#) [M10BCK](#) [60205-1](#) [604200-1](#) [60598-1-CUT-TAPE](#) [60617-1-C](#) [60873-1](#) [M14-516R/SK](#) [M14-6RSX](#) [M18-10FLX](#) [M18-8FBX](#) [M18-8R/LX](#) [M18BCK](#) [61314-6-C](#) [61-S](#) [61-SN-A](#) [62-NBM-A](#) [63-S](#) [640179-1](#) [640917-2-CUT-TAPE](#) [6501550002](#) [66107-2-C](#) [66107-4-C](#) [696683-1](#) [696834-1](#) [696861-1](#) [696931-1](#) [696999-1](#) [M8-516RK](#) [M86700006](#) [MA250DMFMX-A](#) [701-2007](#) [701-2307](#) [701-7761-03](#) [70F-110-32-PB](#) [718-N-A](#) [71M-187-20-NBL](#) [71M-250-32-NBL](#) [72F-187-20-NBL](#) [72M-250-32-NBL](#) [7310](#) [73F-250-32](#) [73F-250-32-NBL](#) [73F-250-32-NL](#) [F14-10C](#) [F-1M](#)