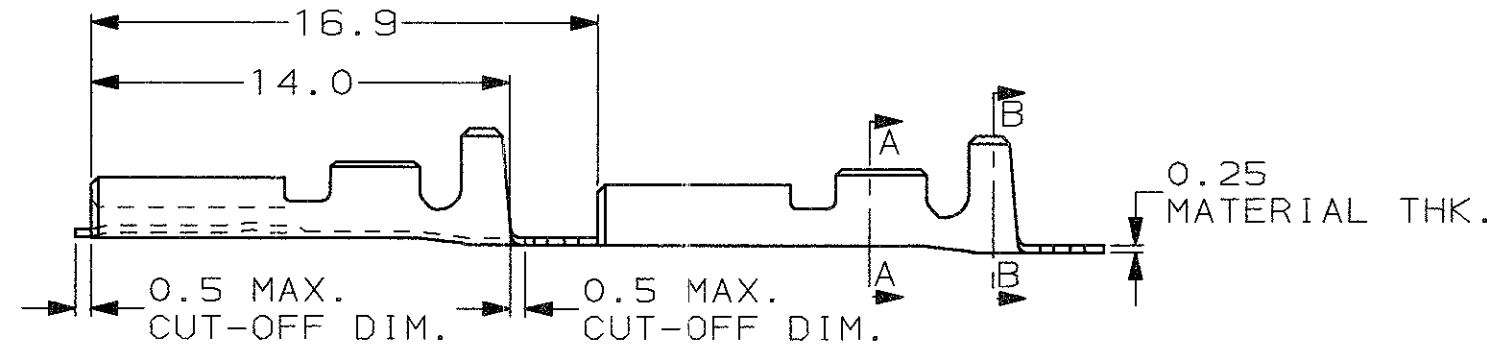
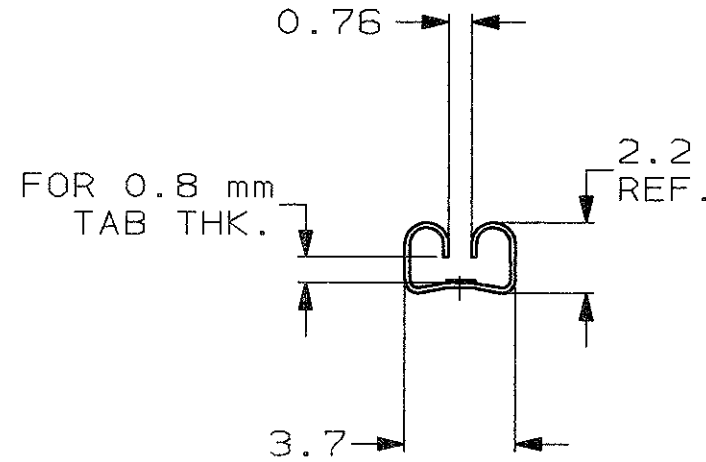
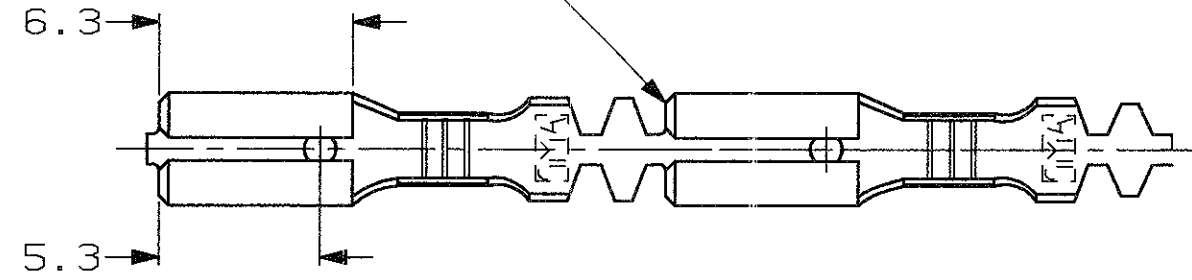


SCALA NON IMPEGNATIVA
(DO NOT SCALE)
DIMENSIONI IN mm
(DIMENSIONS IN mm)

METRIC

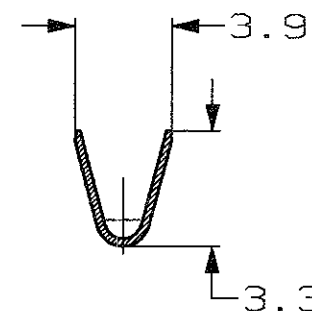
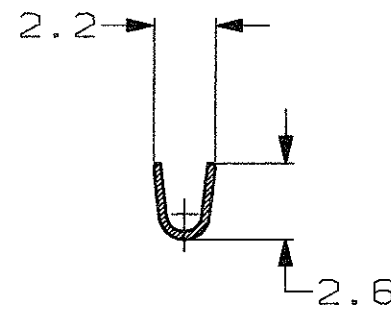
PROIEZIONE EUROPEA
(EUROPEAN PROJECTION)

SMUSSO FRONTALE
(CHAMFER AROUND FRONT OF REC.)



SEZIONE A-A
(SECTION A-A)

SEZIONE B-B
(SECTION B-B)



		STAGNATO (TIN PLATED)	BRONZO FOSF. (PHOS. BRONZE)	6-160555-1	AU
		STAGNATO (TIN PLATED)	BRONZO FOSF. (PHOS. BRONZE)	6-160555-0	AU
		PRE STAGNATO (PRE-TIN PLATED)	BRONZO FOSF. (PHOS. BRONZE)	5-160555-9	AU
		NUDO (UNPLATED)	BRONZO FOSF. (PHOS. BRONZE)	5-160555-8	AU
		STAGNATO (TIN PLATED)	OTTONE (BRASS)	5-160555-7	AU
		NUDO (UNPLATED)	OTTONE (BRASS)	5-160555-6	AU
		PRE STAGNATO (PRE-TIN PLATED)	OTTONE (BRASS)	5-160555-5	AU
		NUDO (UNPLATED)	BRONZO FOSF. (PHOS. BRONZE)	5-160555-4	AU
		ARGENTATO (SILVERPLATED)	OTTONE (BRASS)	5-160555-3	AU
		STAGNATO (TIN PLATED)	OTTONE (BRASS)	5-160555-2	AU
		NUDO (UNPLATED)	OTTONE (BRASS)	5-160555-1	AU
NOTE		FINITURA / COLORE (FINISH / COLOUR)	MATERIALE (MATERIAL)	NUMERO (PART NUMBER)	REV

- 1 GIUNTE MEDIANTE SALDATURA (SPLICE FREE)
- 2 BOBINATO CON CARTA INTERPOSTA (CREELED WITH INTERLEAVE PAPER STRIP)
- 2 STATO DI FORNITURA SCALA 1:1 (SUPPLY CONDITION SCALE 1:1)



3 OBSOLETE PARTS: OBSOLETE CIS STREAMLINING PER D.RENAUD/D.SINISI

CUSTOMER DWG. FOR REFERENCE ONLY
DISEGNO PER CLIENTE SOLO PER RIFERIMENTO

THIS DRAWING IS UNPUBLISHED | RELEASE FOR PUBLICATION | 19

TOLLERANZE, SE NON DIVERSAMENTE SPECIFICATO (TOLERANCES, UNLESS OTHERWISE SPECIFIED)
± 0.3

DIAM. ISOLANTE (INS. DIA. RANGE) 2.0-3.0
RANGO FILO (WIRE RANGE) 0.5-1.0
SCALA (SCALE) 4:1

ANGOLI (ANGLES) ± 2°

STE TE Connectivity

DIS. H. YAALI (DR.) 18 JUN 2002
DESCRIZIONE (DESCRIPTION) FASTON® Connector .110" srs. REC. CONTACT

CONT. C. TARTARI (CHK)

LOC. SIZE NUMERO (DWG NO) I A3 C-160555
REV. FOGLIO (SHEET) AU2 1 DI (OF) 1

AU2	REVISED PER ECO-11-005140	RK	31MAR11
REV. (REV. LTR.)	REVISIONI (REVISION RECORD)	DIS. (DR)	DATA (DATE)

DISTRIBUZIONE (PRINT DIST.)

X-ON Electronics

Largest Supplier of Electrical and Electronic Components

Click to view similar products for [Terminals](#) category:

Click to view products by [TE Connectivity](#) manufacturer:

Other Similar products are found below :

[HT-13-10](#) [71M-250-32-NB](#) [01-2065-1-0216](#) [00581P0075](#) [M10-10RX](#) [M10BCK](#) [60205-1](#) [604200-1](#) [60598-1-CUT-TAPE](#) [60617-1-C](#) [60873-1](#) [M14-516R/SK](#) [M14-6RSX](#) [M18-10FLX](#) [M18-8FBX](#) [M18-8R/LX](#) [M18BCK](#) [61314-6-C](#) [61-S](#) [61-SN-A](#) [62-NBM-A](#) [63-S](#) [640179-1](#) [640917-2-CUT-TAPE](#) [6501550002](#) [66107-2-C](#) [66107-4-C](#) [696683-1](#) [696834-1](#) [696861-1](#) [696931-1](#) [696999-1](#) [M8-516RK](#) [M86700006](#) [MA250DMFMX-A](#) [701-2007](#) [701-2307](#) [701-7761-03](#) [70F-110-32-PB](#) [718-N-A](#) [71M-187-20-NBL](#) [71M-250-32-NBL](#) [72F-187-20-NBL](#) [72M-250-32-NBL](#) [7310](#) [73F-250-32](#) [73F-250-32-NBL](#) [73F-250-32-NL](#) [F14-10C](#) [F-1M](#)