



PRODUCT FAMILY	DESCRIPTION
INDOOR RF PASSIVES	SEMI ISOLATED OUTLET : TSO-200
FEATURES	
	<ul style="list-style-type: none"> >> Frequency range 5-1006 MHz >> Class A screening effectiveness >> Outstanding RF performance >> R/TV and Data ports >> Low loss duplex filters

SPECIFICATIONS

INSERTION LOSS (dB, Max.) - IN to R/TV		
Frequency (MHz)	Typ.	
85 - 1006	4.3	4.8
INSERTION LOSS (dB, Max.) - DATA to IN		
5 - 65	0.8	1.3
INSERTION LOSS (dB, Max.) - IN to DATA		
85 - 1006	4.3	4.8
RETURN LOSS (dB, Min.) - IN Port		
5 - 65		18.0
85 - 1006		18.0 ⁽¹⁾
RETURN LOSS (dB, Min.) - DATA Port		
5 - 65		18.0
85 - 1006		18.0 ⁽¹⁾
RETURN LOSS (dB, Min.) - R/TV Port		
85 - 1006		18.0 ⁽¹⁾
ISOLATION (dB, Min.) - R/TV to DATA		
5 - 65		45.0
85 - 862		22.0
862 - 1006		20.0

Teleste reserves the rights to alter specifications, features, manufacturing released and even the general availability of the product at any time.

GENERAL SPECIFICATIONS

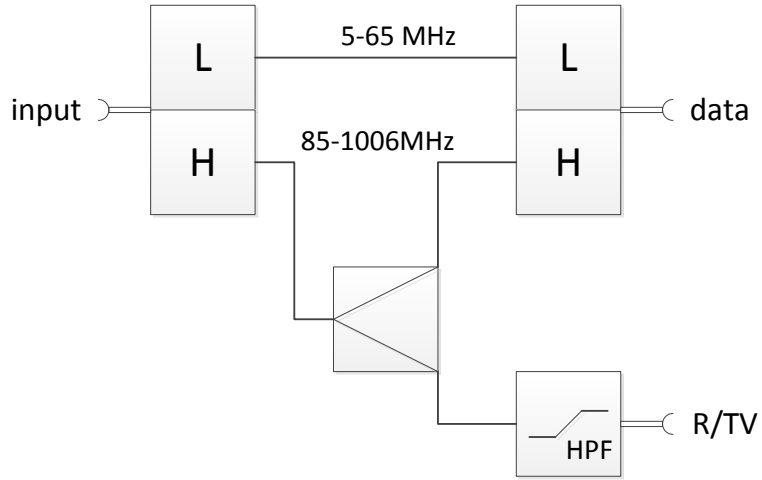
Frequency range	5 – 1006 MHz
Nominal impedance	75 Ohm
Connectors	
Input	Cable clamp
R/TV output	IEC male
DATA input/output	IEC female
Dimensions	69 x 64,5 x 29 mm
Weight	0,094 kg
Electromagnetic compatibility ⁽²⁾ (dB, Min.)	
5 - 300	85.0
300 - 470	80.0
470 - 950	75.0
950 - 1006	55.0
Intermodulation ⁽³⁾ f1 + f2 (dBc, Min.)	
	110.0 ^(a)
	110.0 ^(b)
	110.0 ^(c)
Safety Isolation	Inner conductor input to inner conductor output
2120 VDC	≤ 0.7 mA, ≥ 1 minute ⁽⁴⁾
230 VAC RMS, 50/60 Hz	≤ 8.0 mA RMS ⁽⁴⁾
Surge immunity	1 kV, 1.2/50µS ⁽⁵⁾
Housing (material/plating)	Zinc die-cast / nickel plated Steel back lid / tin plated
Connectors (material/plating)	
Pin of IEC male	Brass/Nickel ⁽⁶⁾
Spring of IEC female	Phosphor/Bronze
Product approval	CE
EMC compatibility	EN 50083-2

This terminal outlet has been designed to fit with the typical frames and covers. Combining the high screening with the easy frontal cable connection results in reliable and swift installation. It features a R/TV port with downstream only and a DATA port with both up and downstream.

Notes

- (1) * F > 40 MHz -1.5 dB/oct
- (2) Class A, according to IEC 60728-2 2010, EMC
- (3) Two carriers (60 & 65 MHz), applied to (each)output port, @120dBµV
 - (a) No surge
 - (b) Measured after 10 pulses 25V(1,2/500µS) applied to each port
 - (c) Measured after 1 pulse 1kV (1,2/50µS) applied to each port
- (4) According to IEC-60728-11 2007, Safety
- (5) Surge voltage according to IEC 61000-4-5, EMC (class 2, level 2) applied between the inner and outer conductor of each port
- (6) Dimensions in accordance with IEC 61169-2, Coaxial connectors of type 9,52

BLOCK DIAGRAM



ORDERING INFORMATION

TSO-200

Semi Isolated Outlet (2120VDC/230VAC), 5-1006 MHz, 65/85 MHz split, R/TV and Data, terminated version

X-ON Electronics

Largest Supplier of Electrical and Electronic Components

Click to view similar products for [RF Connectors / Coaxial Connectors](#) category:

Click to view products by [Teleste](#) manufacturer:

Other Similar products are found below :

[R125315120](#) [8915-1511-000](#) [89674-0827](#) [5916-1103-603](#) [0106-001-000](#) [6-0001-3](#) [6001-7071-019](#) [6002-7051-003](#) [6002-7551-202](#) [6059674-1](#) [619550-1](#) [630059-000](#) [M39012/25-0021](#) [M39012/79-3008](#) [M39030/3-01N](#) [M39030/3-03N](#) [M3933/25-29N](#) [M3933/25-36N](#) [6500-7071-046](#) [6501-1071-002](#) [M83723/72W24576](#) [M83723/72W2457N](#) [6769](#) [CX050L2AQ](#) [7002-1541-010](#) [7003-1572-002](#) [7004-1512-000](#) [7009-1511-004](#) [7010-1511-000](#) [7029-1511-060](#) [7101-1541-010](#) [7101-1571-002](#) [7105-1521-002](#) [7145-1521-002](#) [7209-1511-011](#) [7210-1511-012](#) [7210-1511-015](#) [7210-1511-019](#) [7210-1511-040](#) [7225-1512-050](#) [7242-1511-000](#) [73137-5015](#) [73251-0111](#) [73251-0672](#) [73276-1501](#) [73366-0013](#) [73404-2300](#) [73413-6080](#) [734151610](#) [73415-5721](#)