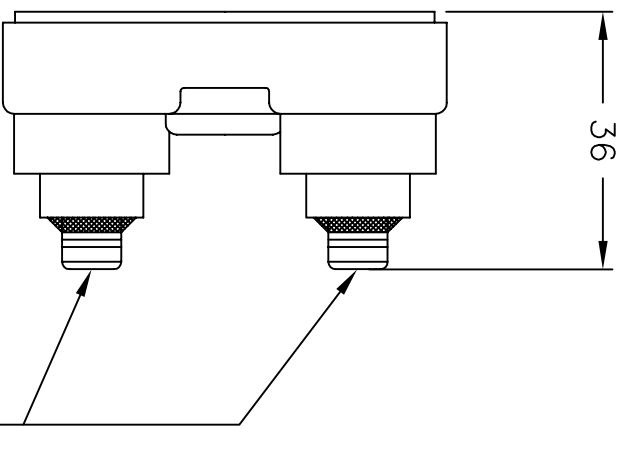


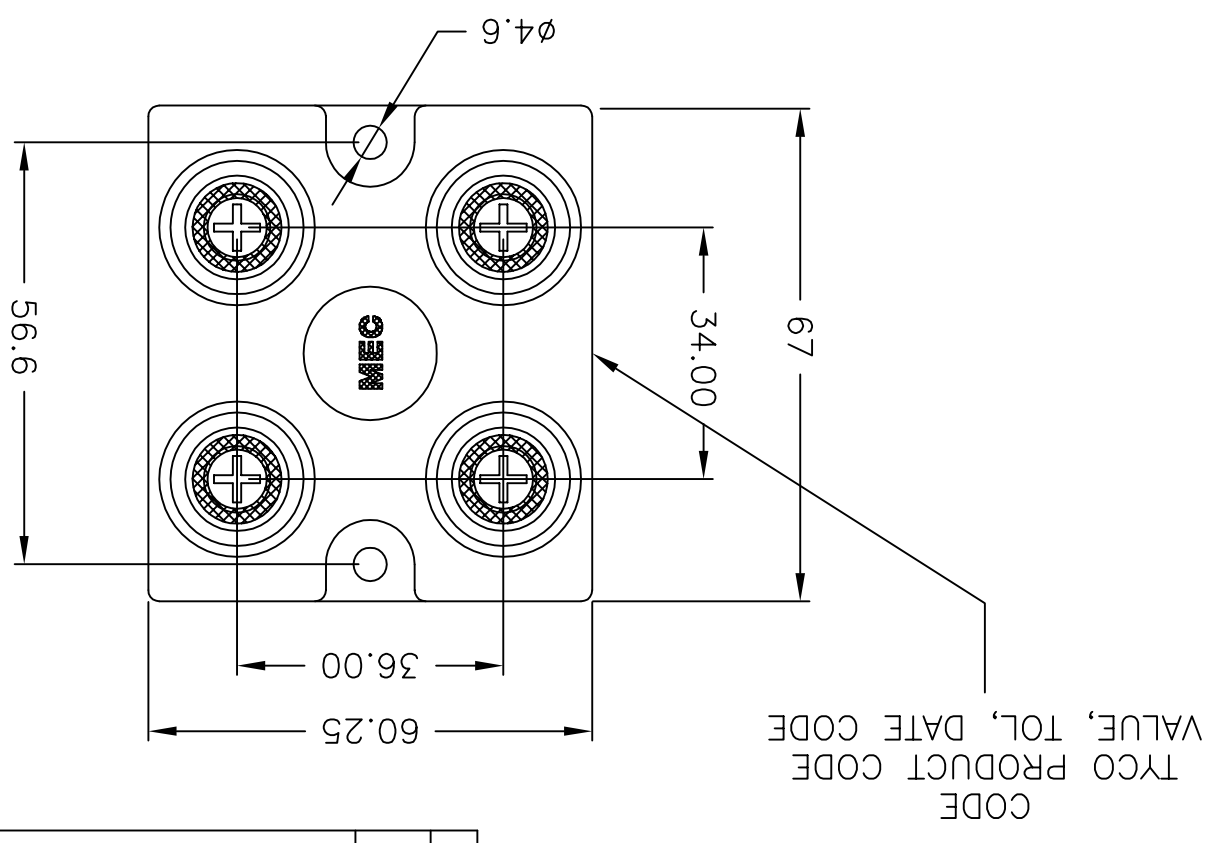
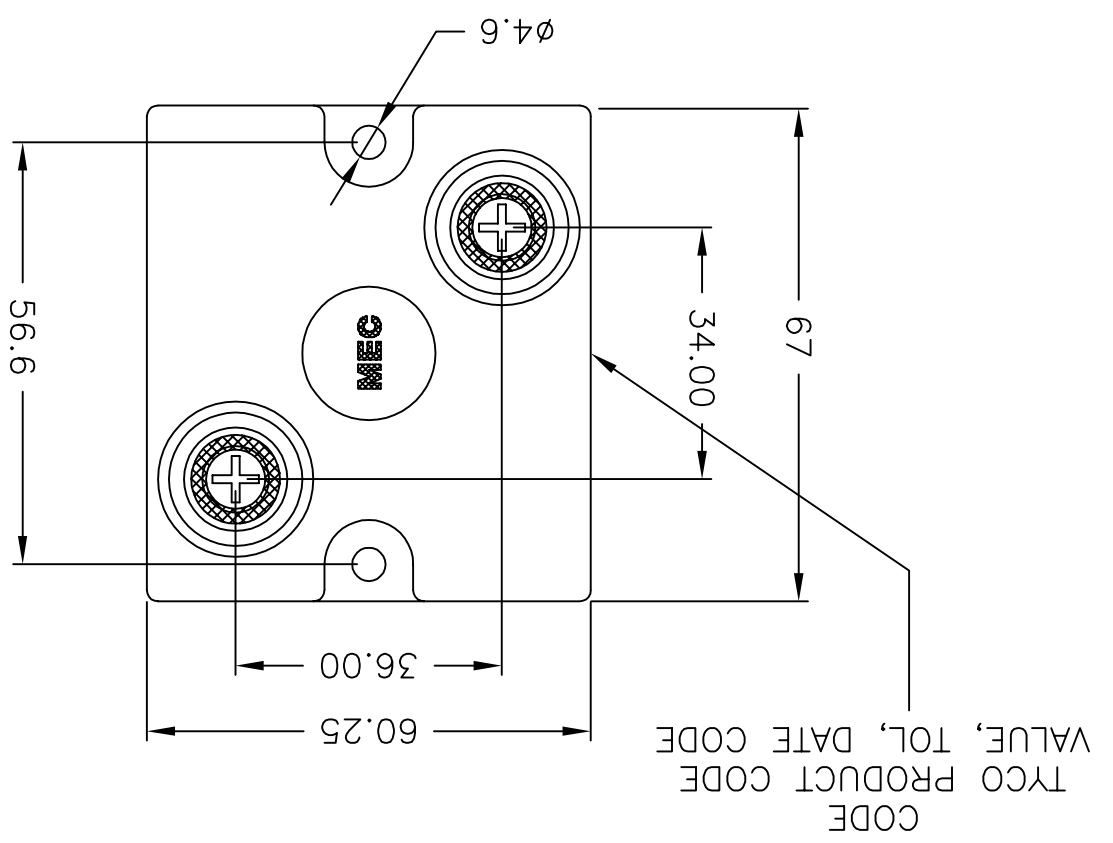
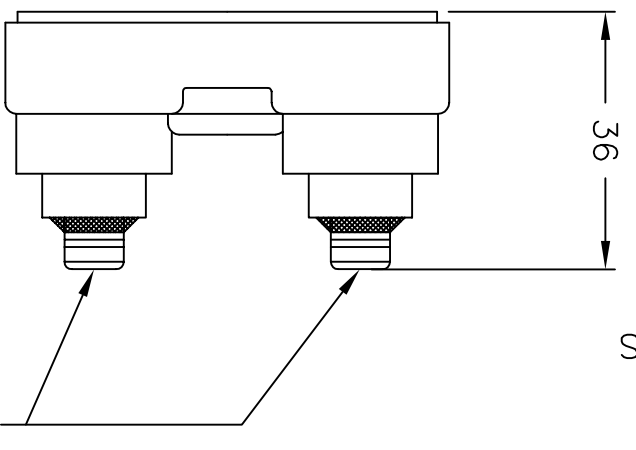
THIS DRAWING IS A CONTROLLED DOCUMENT.		DIMENSIONS: MM		TOLERANCES UNLESS OTHERWISE SPECIFIED:		FINISH ANGLES		MATERIAL	
DWN 03NOV05	DAVE KENNEDY	04NOV05	CHK	± 0.5	0 PLC	± 0.2	1 PLC	± 0.1	2 PLC
04NOV05	J CATCHPOLE	04NOV05	APVD	± -	3 PLC	± -	4 PLC	± -	4 PLC
TYCO Electronics Corporation Dorcan, Swindon, SN3 5HH		NAME		PRODUCT SPEC		APPLICATION SPEC		WEIGHT	
Tyco Electronics Corporation		BDS2A250 & BDS4B250		-		-		-	
Scale		Drawing No		Cage Code		Size		Part No	
NTS		1614770		00779		A3		-	
SHEET 1 OF 1		REV A		RESTRICTED TO					

FOR A SPECIFIC PN FOR A RESISTANCE VALUE AND TOLERANCE, PLEASE REFER TO DMF.

BDS2A250



BDS4B250



LOC	DIST	P	LTR	DESCRIPTION	DATE	DWN	APVD
E	B	A		FIRST REVISION	04NOV05	DK	JC
REVISIONS							

## X-ON Electronics

Largest Supplier of Electrical and Electronic Components

*Click to view similar products for* [Planar Resistors - Chassis Mount](#) *category:*

*Click to view products by* [TE Connectivity](#) *manufacturer:*

Other Similar products are found below :

[LPS0300HR300JB](#) [20-100RP](#) [HVR10D2K0F](#) [HVR20C11MF](#) [HVR10D3M0J](#) [HVR30B82MF](#) [HVR10D25MK](#) [HVR30B500KF](#)  
[BDS2A10033RK](#) [TAP800K68RE](#) [TGHHV15R0FE](#) [TL88J136C](#) [BA416775R0KE](#) [TL122KU221RE](#) [TGHDV100RJE](#) [TL71F9K40C](#)  
[LPS0300HR560JB](#) [FPA100 47K J](#) [LPSA300H4R70JB](#) [LPSA300H10R0JB](#) [LPSA300H47R0JB](#) [LPSA300H1R00JB](#) [LPSA800H1R00JB](#)  
[LPSA800H1000JB](#) [LPSA800H47R0JB](#) [LPSA300H1000JB](#) [LPSA800H10R0JB](#) [LPSA800H4R70JB](#) [504AS252KDG2](#) [TGHHV100RJE](#)  
[TGHHV33R0JE](#) [TGHHV500RJE](#) [TGHHV5K00JE](#) [TGHHV5R00JE](#) [TGHHV680RJE](#) [TGHLV100RJE](#) [TGHLV150RJE](#) [TGHLV500RJE](#)  
[TGHLV5K00JE](#) [HTS-14-12-40-3/4.8](#) [HTS-14-24-40-3/4.8](#) [HTS-15-230-100-1](#) [HTS-15-230-100-3/4.8](#) [HTS-15-230-100-3/6.3](#) [HTS-15-230-150-3/6.3](#) [FPA100 100R J](#) [FPA100 22R J](#) [FPA100 2R0 J](#) [FPA100 330R J](#) [FPA100 6K8 J](#)