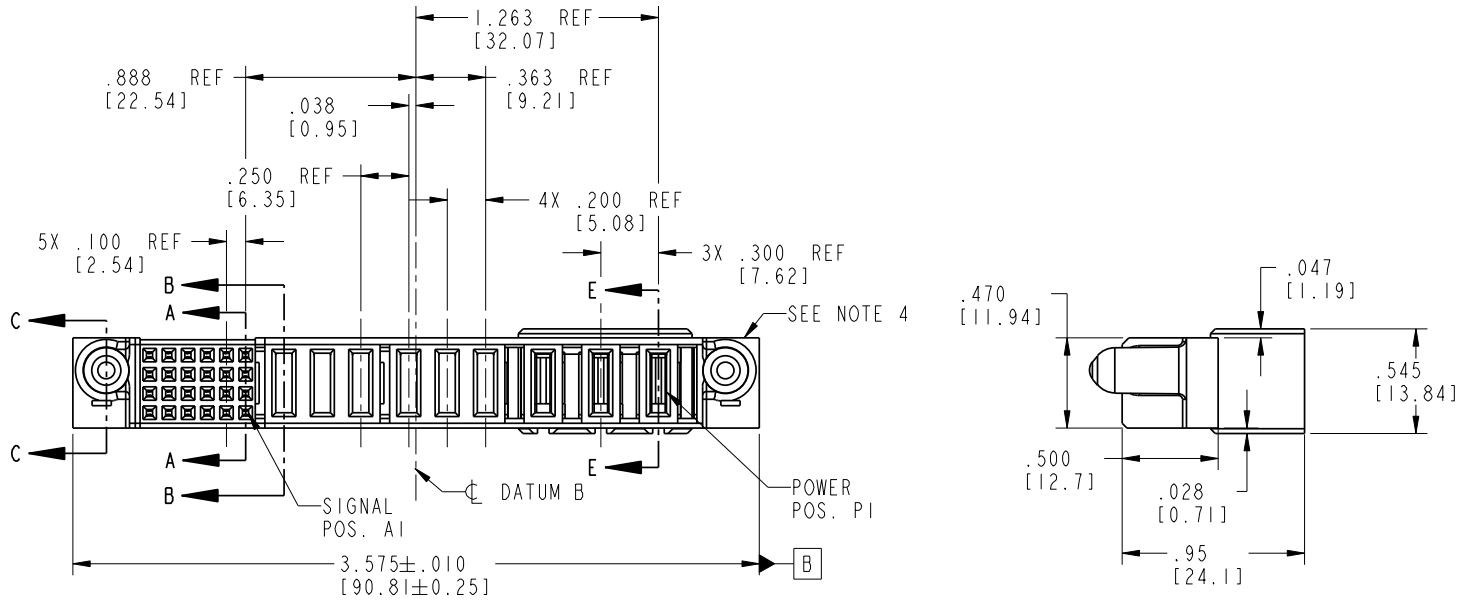
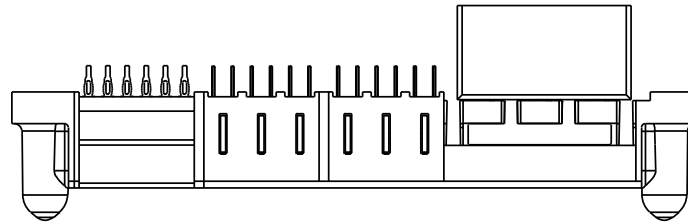


Tous droits strictement réservés. Reproduction ou communication o des liers interdite sous quelque forme que ce soit sans autorisation écrite du propriétaire. Propriete de c FCI. Droits de reproduction FCI.



All rights strictly reserved. Reproduction or issue to third parties in any form whatever is not permitted without written authority from the proprietor. Property of FCI. Copyright FCI.

PRODUCT NO.	ROWS	SIGNAL						POWER						E1			
		E2	6	5	4	3	2	1	P9	P8	P7	P6	P5		P4	P3	P2
51929-001-- NOTE: 3	D C B A		F	F	F	F	F	Pf	Pf	Pf	Pf	Pf	Pf	Pg	Ph	Ph	



CODE	DIM "M"	MATING LENGTH	CONTACT TYPE
F	N/A	[N/A]	SIGNAL
PF	.092	[2.34]	POWER
PG	.042	[1.07]	POWER
PH	.092	[2.34]	POWER

mat'l code				SEE NOTE 2		tolerances unless otherwise specified		CUSTOMER		FCI		
lir	ecn no.	dr	date	linear	.XX±.01/0.X±0.3	COPY		www.fciconnect.com				
A	V05-0001	TAB	01/04/05		.XXY±.005/0.XX±0.13	projection		title 9P + 24S				
B	DG06-0307	JULIA	07/31/06	angles	.XXX±.0020/0.XXX±0.051	INCH/MM		VERTICAL PRESS-FIT RECEPT				
				dr	T. BRUNGARD 01/04/05	scale		product family		code		
				enr	L. HAO 01/04/05	1:1		PwrBlade		213		
				chr	L. HAO 01/04/05			size		sheet		
				appd	L. HAO 01/04/05			A 51929-001		1 of 4		
sheet index		revision sheet		B	B	B	B					B
		1 2		3	4							

Pro/E

PDM: Rev: B

STAT: Released

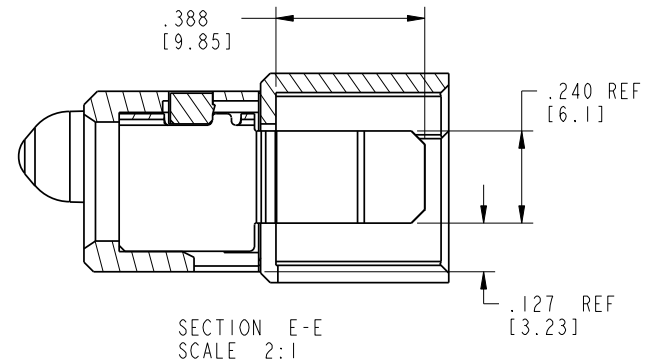
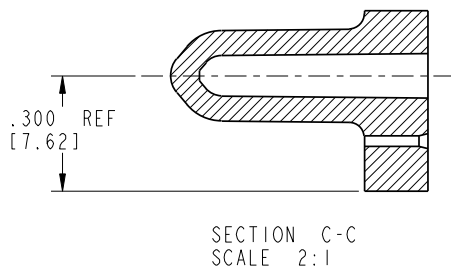
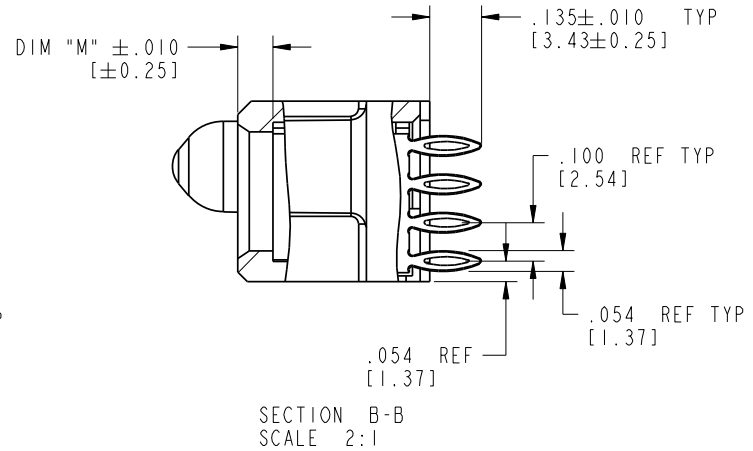
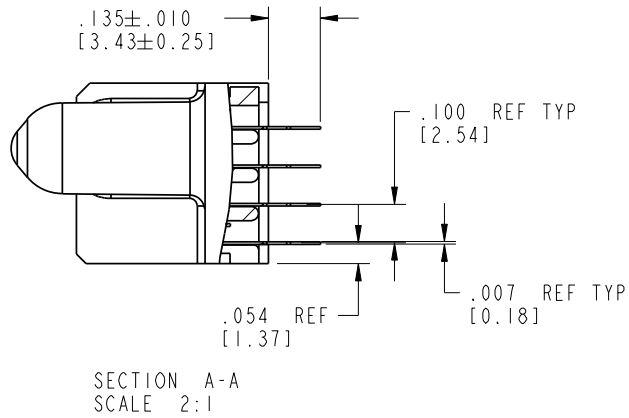
Printed: Dec 20, 2010

Tous droits strictement réservés. Reproduction ou communication a des tiers interdite sous quelque forme que ce soit sans autorisation écrite du propriétaire. Propriété de c FCI. Droits de reproduction FCI.



All rights strictly reserved. Reproduction or issue to third parties in any form whatever is not permitted without written authority from the proprietor. Property of FCI. Copyright FCI.

PRODUCT NUMBER
51929-001__
NOTE: 3



mat'l code		SEE NOTE 2		tolerances unless otherwise specified		CUSTOMER		FCI	
lir	ecn no.	dr	date	linear	.XX±.01/0.X±0.3	projection	www.fciconnect.com		
B				linear	.XX±.005/0.XX±0.13	INCH/MM	title		9P + 24S
				angles	.XXX±.0020/0.XXX±0.051	scale	VERTICAL PRESS-FIT RECEPT		
				dr	0°±2°	1:1	product family		PwrBlade
				enrg	T. BRUNGARD 01/04/05		size		213
				chr	L. HAO 01/04/05		dwg no		sheet
				appd	L. HAO 01/04/05		A 51929-001		2 of 4
sheet index	revision sheet								

Pro/E

PDM: Rev: B

STAT: Released

Printed: Dec 20, 2010

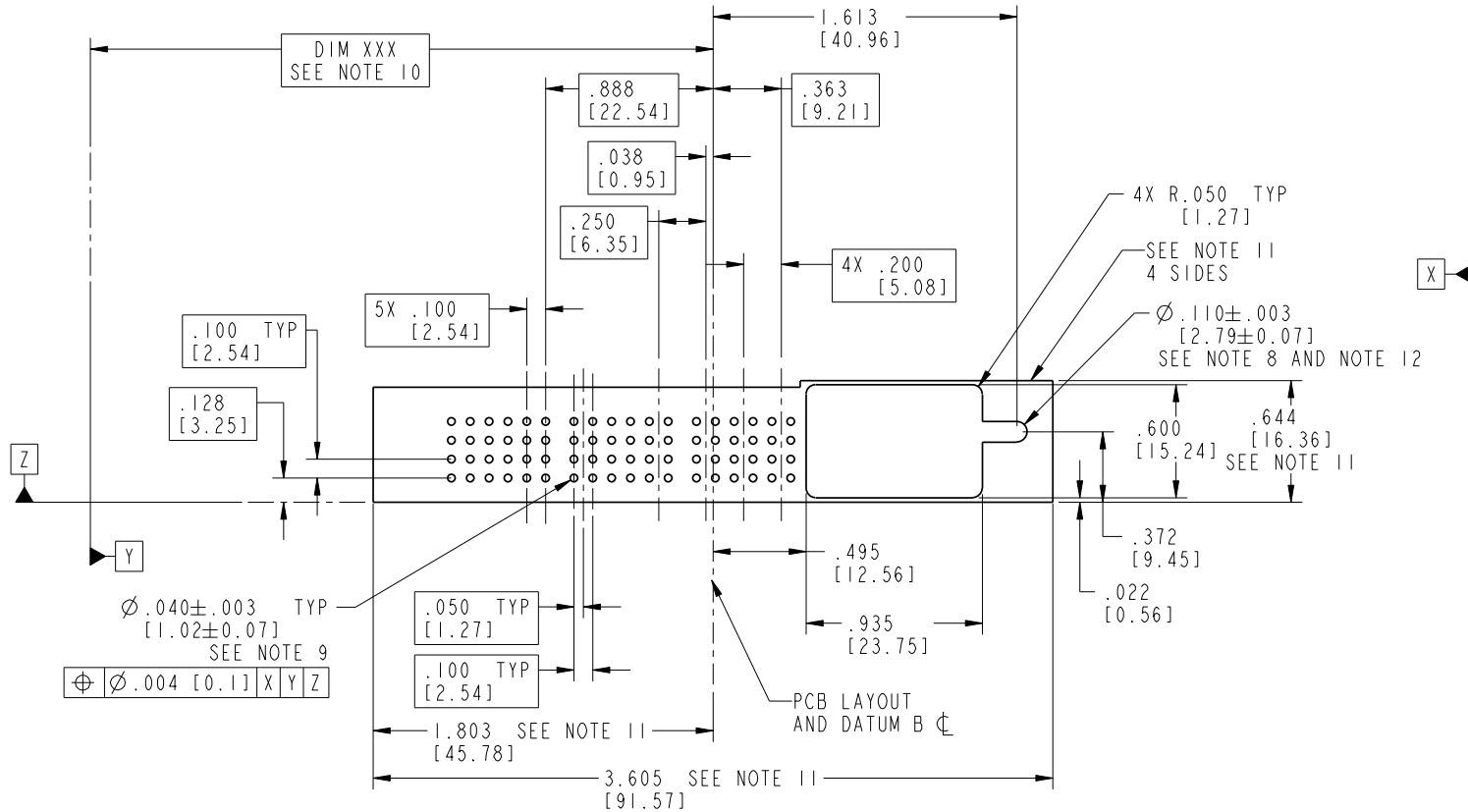
Tous droits strictement réservés. Reproduction ou communication o des liers interdite sous quelque forme que ce soit sans autorisation écrite du propriétaire. Propriété de c FCI. Droits de reproduction FCI.



All rights strictly reserved. Reproduction or issue to third parties in any form whatever is not permitted without written authority from the proprietor. Property of FCI. Copyright FCI.

PRODUCT NUMBER

51929-001__
NOTE: 3



mat'l code		SEE NOTE 2		tolerances unless otherwise specified		CUSTOMER		FCI	
lir	ecn no.	dr	date	linear	.XX±.01/0.X±0.3	COPY		www.fciconnect.com	
B				linear	.XX±.005/0.XX±0.13	projection		title 9P + 24S	
				angles	.XXX±.0020/0.XXX±0.051	INCH/MM		VERTICAL PRESS-FIT RECEPT	
				dr	T. BRUNGARD 01/04/05	scale		product family PwrBlade code	
				enrg	L. HAO 01/04/05	1:1		size dwg no 213	
				chr	L. HAO 01/04/05			A 51929-001 sheet	
				appd	L. HAO 01/04/05			3 of 4	
sheet index	revision sheet								

Pro/E

PDM: Rev: B

STAT: US: Released

Printed: Dec 20, 2010

Tous droits strictement réservés. Reproduction ou communication a des tiers interdite sous quelque forme que ce soit sans autorisation écrite du propriétaire. Propriété de c FCI. Droits de reproduction FCI.

1 | 2

3

4

PRODUCT NUMBER
51929-001--
NOTE: 3

NOTES:

1. DIMENSIONS AND TOLERANCES ARE IN ACCORDANCE WITH ASME Y14.5M, 1994 UNLESS OTHERWISE SPECIFIED.

CONNECTOR NOTES:

- 2 HOUSING MATERIAL: UL 94 V-0 GLASS FILLED
HIGH-TEMP THERMOPLASTIC
POWER CONTACT MATERIAL: COPPER ALLOY
SIGNAL PIN MATERIAL: COPPER ALLOY
- 3. 51929-001;51929-001LF;51929-001GLF PLATING SPEC. SEE PRINT:10064183
- 4 MANUFACTURER'S NAME, P/N, AND DATE CODE TO APPEAR ON THIS SURFACE.
- 5. PRODUCT SPECIFICATION GS-12-149.
APPLICATION SPECIFICATION BUS-20-067.
- 6. PACKAGED IN TRAYS.
PCB NOTES:
7. ALL HOLE DIAMETERS ARE FINISHED HOLE SIZE.

- 8 MOUNTING HOLES, WHERE APPLICABLE, ARE UNPLATED.
- 9 $\varnothing .0453 \pm .0010$ [1.151 \pm 0.025] DRILLED HOLES PLATED WITH .0003 [0.008] MIN SnPb OVER .001 [0.03] TO .003 [0.08] Cu PLATING TO ACHIEVE $\varnothing .040 \pm .003$ [1.02 \pm .07] HOLE.
- 10 "DIM XXX" TO BE DETERMINED BY THE CUSTOMER.
- 11 CONNECTOR KEEP-OUT ZONE.
- 12 RECOMMENDED RETENTION TO PCB
 $\varnothing .110$ [2/79] THRU HOLE FOR M2.5 SOCKET HEAD CAP SCREW, MAX HEAD $\varnothing .177$ [4.50]
RECOMMENDED SCREW LENGTH .472[12.00] + PCB THICKNESS
RECOMMENDED SCREW SEATING TO PCB TORQUE: 2-5 lbf-in (2300-5760 gf-cm).



All rights strictly reserved. Reproduction or issue to third parties in any form whatever is not permitted without written authority from the proprietor. Property of FCI. Copyright FCI.

A

A

B

B

mat'l code		SEE NOTE 2		tolerances unless otherwise specified		CUSTOMER		FCI	
lir	ecn no.	dr	date	linear	.XX \pm .01/0.X \pm 0.3	COPY		www.fciconnect.com	
B				projection	.XXY \pm .005/0.XX \pm 0.13	projection		title 9P + 24S	
				angles	.XXX \pm .0020/0.XXX \pm 0.051	INCH/MM		VERTICAL PRESS-FIT RECEIPT	
				dr	T. BRUNGARD 01/04/05	scale		product family PwrBlade code	
				enrg	L. HAO 01/04/05	1:1		size dwg no 213	
				chr	L. HAO 01/04/05			sheet 4 of 4	
				appd	L. HAO 01/04/05			A 51929-001	
sheet index	revision sheet								

1 | 2

Pro/E

PDM: Rev: B

STAT US: Released

Printed: Dec 20, 2010

X-ON Electronics

Largest Supplier of Electrical and Electronic Components

Click to view similar products for [Power to the Board](#) category:

Click to view products by [FCT Electronics](#) manufacturer:

Other Similar products are found below :

[10131318-08512GRLF](#) [6450171-4](#) [6450552-7](#) [6600323-8](#) [6643429-1](#) [6646040-2](#) [6651939-1](#) [6766604-1](#) [120959-1](#) [1393557-2](#) [1393532-2](#)
[1393532-3](#) [1393532-4](#) [1393557-1](#) [1600812-5](#) [1-6450861-2](#) [1645595-1](#) [1743490-1](#) [1744132-7](#) [1761122-1](#) [1766169-1](#) [1766250-1](#) [18362](#)
[1892109-1](#) [1-967627-6](#) [2226808-1](#) [2-6450860-5](#) [2-6450860-6](#) [2-6450870-0](#) [93003-0502](#) [953552-1](#) [1-6450161-4](#) [1-6450850-6](#) [1645526-2](#) [1-](#)
[6600130-0](#) [1743419-1](#) [1766150-1](#) [2005243-2](#) [211110-1](#) [2-6600130-2](#) [TE34-12-16P-F0](#) [51700-10201602AALF](#) [5-6450830-6](#) [5646956-4](#)
[36662-0005](#) [40585-3000](#) [4-6450830-9](#) [4-6600333-3](#) [51142-0214](#) [10125416-4050LF](#)