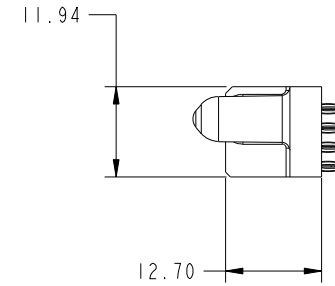
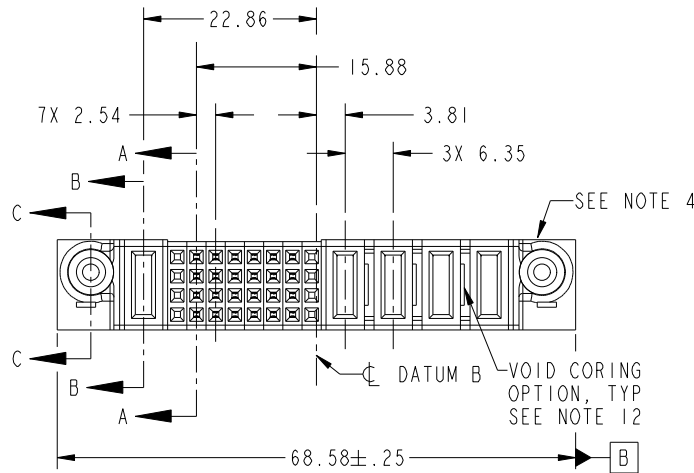


Tous droits strictement réservés. Reproduction ou communication a des tiers interdite sous quelque forme que ce soit sans autorisation écrite du propriétaire. Propriété de c.FCI. Droits de reproduction FCI.

All rights strictly reserved. Reproduction or issue to third parties in any form whatever is not permitted without written authority from the proprietor. Property of FCI. Copyright FCI.



PRODUCT NO.	ROWS	E2	PWR		SIGNAL								PWR				E1	
			P5	8	7	6	5	4	3	2	1	P4	P3	P2	P1			
51940-009-- NOTE: 3	D C B A		PC	X	F	F	F	F	F	F	F	F	X	PF	PF	PF	PF	
				X	F	F	F	F	F	F	F	F	X					
				X	F	F	F	F	F	F	F	F	X					
				X	F	F	F	F	F	F	F	F	X					



CODE	DIM "M" MATING LENGTH	CONTACT TYPE
F	[N/A]	SIGNAL
PC	[1.07]	POWER
PF	[2.34]	POWER
X	OMITTED	OMITTED

mat'l code				SEE NOTE		tolerances unless otherwise specified		CUSTOMER		FCI	
lir	ecn no.	dr	date	linear	0.X ± 0.5	COPY		www.fciconnect.com		title	
A	V20528	JWS	03-18-02	0.XX ± 0.25	projection		4P + 32S + 1P		VERTICAL PRESS-FIT RECEPTACLE		
B	DG05-0418	CS	11/01/05	0.XXX ± 0.10	MM		product family		PwrBlade		
C	DG07-0498	JW	09/12/08	angles	0° ± 2°	scale		size		code	
				dr	J. SHAFFER 03-18-02	1:1		dwg no		213	
				engr	J. ALLISON 03-18-02			51940-009		sheet	
				chr	J. ALLISON 03-18-02					1 of 4	
				appd	J. ALLISON 03-18-02						
sheet index	revision sheet	C 1	C 2	C 3	C 4						

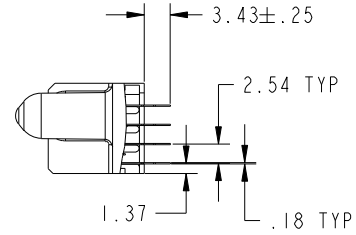
Tous droits strictement reserves. Reproduction ou communication a des tiers interdite sous quelque forme que ce soit sans autorisation ecrite du proprietaire. Propriete de c FCI. Droits de reproduction FCI.



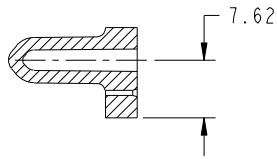
All rights strictly reserved. Reproduction or issue to third parties in any form whatever is not permitted without written authority from the proprietor. Property of FCI. Copyright FCI.

PRODUCT NUMBER

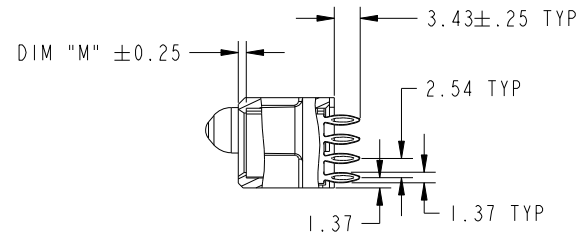
51940-009--
NOTE: 3



SECTION A-A



SECTION C-C



SECTION B-B

mat'l code		SEE NOTE		tolerances unless otherwise specified		CUSTOMER		 www.fciconnect.com	
lir	ecn no.	dr	date	linear	0.X ± 0.5	COPY		title	4P + 32S + IP VERTICAL PRESS-FIT RECEPTACLE
C					0.XX ± 0.25	projection			
					0.XXX ± 0.10				
				angles	0° ± 2°	 MM		product family	PwrBlade
				dr	J. SHAFFER 03-18-02	 1:1		size	dwg no
				enrg	J. ALLISON 03-18-02			A	51940-009
				chr	J. ALLISON 03-18-02				
				appd	J. ALLISON 03-18-02				
sheet index	revision sheet								

cage code 2856

PDM: Rev: C

STATUS: Released

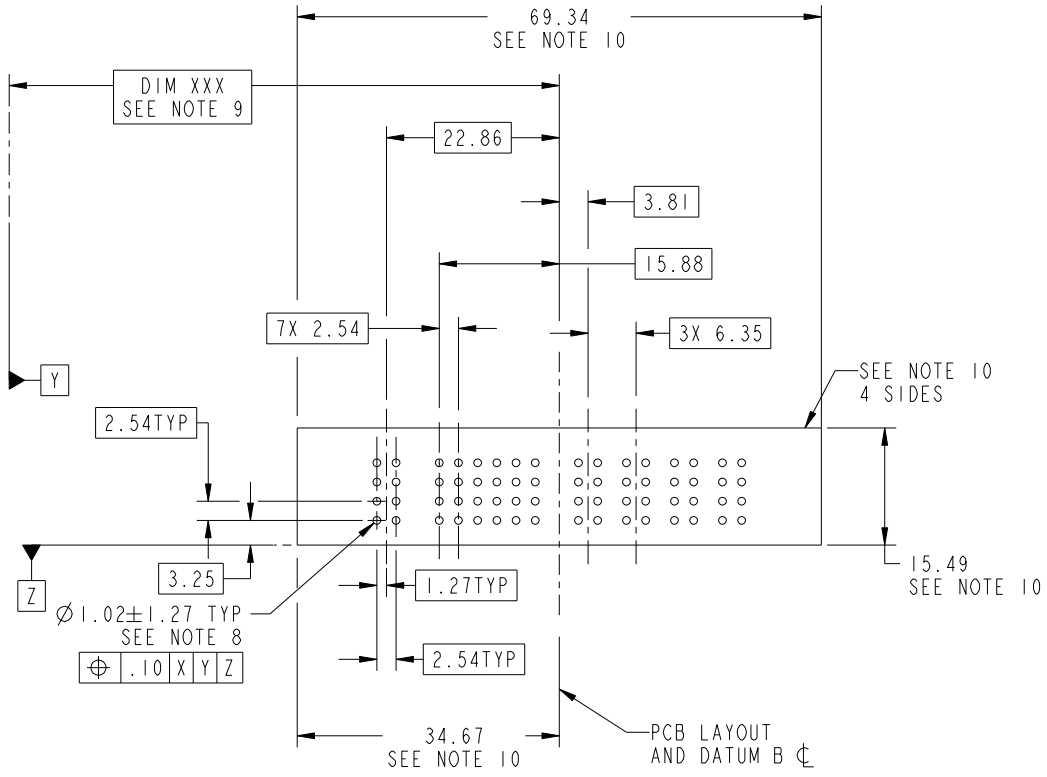
Printed: Dec 20, 2010

Tous droits strictement reserves. Reproduction ou communication a des tiers interdite sous quelque forme que ce soit sans autorisation ecrite du proprietaire. Propriete de c.FCI. Droits de reproduction FCI.



All rights strictly reserved. Reproduction or issue to third parties in any form whatever is not permitted without written authority from the proprietor. Property of FCI. Copyright FCI.

PRODUCT NUMBER
51940-009--
NOTE: 3



RECOMMENDED PCB LAYOUT

mat'l code		SEE NOTE		tolerances unless otherwise specified		CUSTOMER		 www.fciconnect.com	
lir	ecn no.	dr	date	linear	0.X ± 0.5	COPY		title	
C					0.XX ± 0.25	projection		4P + 32S + 1P	
				angles	0.XXX ± 0.10			VERTICAL PRESS-FIT RECEPTACLE	
				dr	0° ± 2°	MM		product family	
				enrg	J. SHAFFER 03-18-02	scale		PwrBlade	
				chr	J. ALLISON 03-18-02	1:1		code	
				appd	J. ALLISON 03-18-02			213	
sheet index	revision sheet							size	
								dwg no	
								A 51940-009	
								sheet	
								3	

cage code 2856

Pro/E

PDM: Rev: C

STATUS: Released

Printed: Dec 20, 2010

Tous droits strictement reserves. Reproduction ou communication a des tiers interdite sous quelque forme que ce soit sans autorisation ecrite du proprietaire. Propriete de c.FCI. Droits de reproduction FCI.

All rights strictly reserved. Reproduction or issue to third parties in any form whatever is not permitted without written authority from the proprietor. Property of FCI. Copyright FCI.



1 | 2

3

4

PRODUCT NUMBER
51940-009--
NOTE: 3

NOTES:

1. DIMENSIONS AND TOLERANCES ARE IN ACCORDANCE WITH ASME Y14.5M, 1994 UNLESS OTHERWISE SPECIFIED.

CONNECTOR NOTES:

② HOUSING MATERIAL: UL 94 V-0 GLASS FILLED HIGH-TEMP THERMOPLASTIC
POWER CONTACT MATERIAL: COPPER ALLOY
SIGNAL PIN MATERIAL: COPPER ALLOY

③ PLATING:
△ SEE ITEM 7 & 8 IN PRINT 10064183 FOR PLATING SPEC OF 51940-009; 51940-009LF PRESPECTIVELY

④ MANUFACTURER'S NAME, P/N, AND DATE CODE TO APPEAR ON THIS SURFACE.

⑤ PRODUCT SPECIFICATION GS-12-149.
APPLICATION SPECIFICATION BUS-20-067

PCB - NOTES:

⑥ ALL HOLE DIAMETERS ARE FINISHED HOLE SIZE.

⑦ MOUNTING HOLES, WHERE APPLICABLE, ARE UNPLATED.

8. $\varnothing 1.151 \pm 0.025$ DRILLED HOLES PLATED WITH} 0.008 MIN SnPb OR Sn OVER 0.03 TO 0.08 Cu PLATING TO ACHIEVE $\varnothing 1.02 \pm .07$ HOLE.

9. "DIM XXX" TO BE DETERMINED BY THE CUSTOMER.

10. CONNECTOR KEEP-OUT ZONE.

12. A △ SYMBOL WILL BE NEXT TO ANY DIMENSION, VIEW, OR NOTE WHICH HAS BEEN MODIFIED WITH THE CURRENT DRAWING REVISION.

13. THE VOID CORING IN BETWEEN POWER MODULES, SIGNAL MODULES AND END MODULES ARE OPTIONAL AND THE SHAPE MAY BE DIFFERENT FOR OPTIMIZING THE MOLDING PROCESS. THE VOID CORING WILL NOT EFFECT TO PRODUCT FUNCTION.

mat'l code				SEE NOTE		tolerances unless otherwise specified		CUSTOMER		FCI www.fciconnect.com	
lir	ecn no.	dr	date	linear	0.X ±0.5		COPY		title 4P + 32S + 1P VERTICAL PRESS-FIT RECEPTACLE		
C					0.XX ±0.25		projection				
					0.XXX ±0.10						
				angles	0° ±2°				product family PwrBlade code 213		
				dr	J. SHAFFER	03-18-02	scale		size A 51940-009 sheet 4		
				enr	J. ALLISON	03-18-02	1:1				
				chr	J. ALLISON	03-18-02					
				appd	J. ALLISON	03-18-02					
sheet index	revision sheet										

1 | 2

Pro/E

PDM: Rev: C

STAT: Released

Printed: Dec 20, 2010

cage code 2856

4

X-ON Electronics

Largest Supplier of Electrical and Electronic Components

Click to view similar products for [Power to the Board](#) category:

Click to view products by [FCT Electronics](#) manufacturer:

Other Similar products are found below :

[10131318-08512GRLF](#) [6450171-4](#) [6450552-7](#) [6600323-8](#) [6643429-1](#) [6646040-2](#) [6651939-1](#) [6766604-1](#) [120959-1](#) [1393557-2](#) [1393532-2](#)
[1393532-3](#) [1393532-4](#) [1393557-1](#) [1600812-5](#) [1-6450861-2](#) [1645595-1](#) [1743490-1](#) [1744132-7](#) [1761122-1](#) [1766169-1](#) [1766250-1](#) [18362](#)
[1892109-1](#) [1-967627-6](#) [2226808-1](#) [2-6450860-5](#) [2-6450860-6](#) [2-6450870-0](#) [93003-0502](#) [953552-1](#) [1-6450161-4](#) [1-6450850-6](#) [1645526-2](#) [1-](#)
[6600130-0](#) [1743419-1](#) [1766150-1](#) [2005243-2](#) [211110-1](#) [2-6600130-2](#) [TE34-12-16P-F0](#) [51700-10201602AALF](#) [5-6450830-6](#) [5646956-4](#)
[36662-0005](#) [40585-3000](#) [4-6450830-9](#) [4-6600333-3](#) [51142-0214](#) [10125416-4050LF](#)