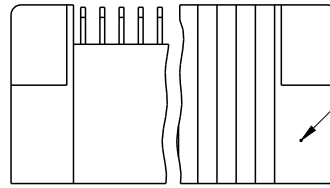
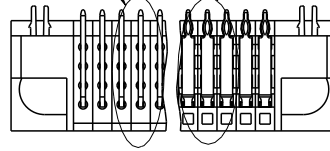


PRODUCT NUMBER

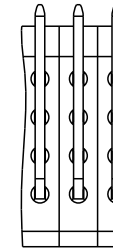
51966-A00CCC00EF\_..

SEE NOTE 1

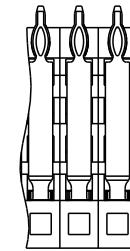
SEE DETAIL A SEE DETAIL B



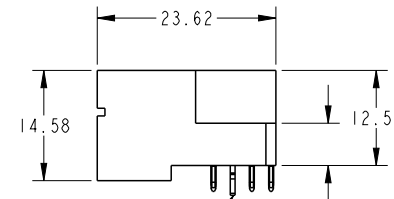
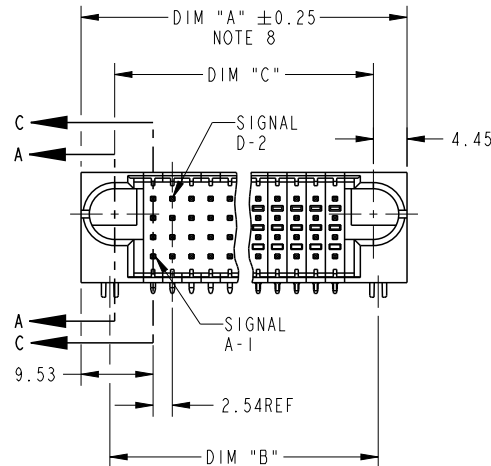
SEE NOTE 7



DETAIL A SCALE 2:1 FOR SOLDER TO BOARD ONLY



DETAIL B SCALE 2:1 FOR PRESS FIT ONLY



BOARD LOCK 2x IF SELECTED (SEE NOTE 6)

MOUNTING FOOT THICKNESS SEE NOTE 6

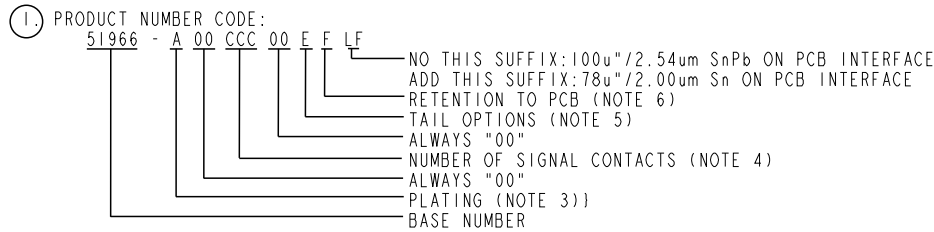


Copyright FCI.

spec ref	*	dr	Jerome Chen	2008/09/12	projection 	MM ←→	size	A4	scale	1:1
tolerance std	ASME Y14.5	eng	Ruan MT	2015/09/30			ecn no	ELX-DG-21593-1		
TOLERANCES UNLESS OTHERWISE SPECIFIED		chr	Fancy Zhang	2015/09/30			rel level	Released		
surface	✓	appr	Pei-Ming Zheng	2015/09/30	product family	PwrBlade	rel level	Released		
ASME Y14.5	linear	0.X	±0.5		title	R/A HEADER WITH GUIDE PIN SIGNAL	dwg no	51966	rev	E
		0.XX	±0.25							
		0.XXX	±0.100							
	angular	0°	±2°	www.fci.com	cat. no.	*	Product - Customer Drw	sheet 1 of 3		

PRODUCT NUMBER	DIM	LENGTH FORMULAS (SEE NOTE 8)
51966-A00CCC00EF--	DIM "A"	$2.54 \times (CCC/4) + 16.51$ (NOTE 8)
SEE NOTE 1	DIM "B"	$2.54 \times (CCC/4) + 8.89$
	DIM "C"	$2.54 \times (CCC/4) + 7.62$
	DIM "D"	$[2.54 \times (CCC/4) + 17.27$

CONNECTOR NOTES



- ② HOUSING MATERIAL: GLASS FILLED V-O HIGH TEMP THERMO PLASTIC. SIGNAL CONTACT MATERIAL: COPPER ALLOY
- ③ PLATING OPTION:  
1 = SEE PRINT 10064183 FOR PLATING SPEC OF 51966-100CCC00EF AND 51966-100CCC00EFLF RESPECTIVELY
- ④ SIGNAL CONTACTS, 004 TO 148 AVAILABLE.

- ⚠ ⑤ TAIL OPTIONS:  
A = 3.43 SOLDER TO BOARD  
B = 4.19 SOLDER TO BOARD  
C = 3.43 PRESS FIT  
D = 2.34 SOLDER TO BOARD

- ⑥ RETENTION TO PCB OPTIONS:  
A = BOARD LOCK (REQUIRES 2.49 +0.05, -0.03 THRU HOLE IN PCB). MOUNTING FOOT THICKNESS 5.59  
B = 3.81 THRU HOLE (REQUIRES 4.01±0.07 THRU HOLE IN PCB). MOUNTING FOOT THICKNESS 4.06  
MOUNTING HOLES, WHERE APPLICABLE, ARE UNPLATED.
- ⑦ MANUFACTURE'S NAME, P/N, AND DATE CODE TO APPEAR ON THIS SURFACE.
- ⑧ THE MAXIMUM OVERALL LENGTH (DIM A) OF A PART IS 203.2
- ⑨ PRODUCT SPECIFICATION GS-12-149 APPLICATION SPECIFICATION BUS-20-067
- ⑩ REFERENCE 51697 FOR SELECT LOAD/FMLB WORKSHEET

PCB NOTES:

- 11. ALL DIMENSIONS ARE BASIC UNLESS OTHERWISE SPECIFIED.
- 12. ALL THROUGH HOLES ARE LOCATED WITH A TRUE POSITION OF 0.10
- 13. ALL HOLE DIAMETERS ARE FINISHED HOLE SIZE.
- ⑭  $\varnothing 1.151 \pm 0.025$  DRILLED HOLES PLATED WITH 0.008 MIN SnPb or Sn OVER 0.03 TO 0.08 Cu PLATING TO ACHIEVE A  $1.02 \pm 0.07$  HOLE.

- 15. A ⚠ SYMBOL WILL BE NEXT TO ANY DIMENSION, VIEW, OR NOTE WHICH HAS BEEN MODIFIED WITH THE CURRENT DRAWING REVISION.
- ⚠ ⑮ CONNECTOR KEEP OUT ZONE



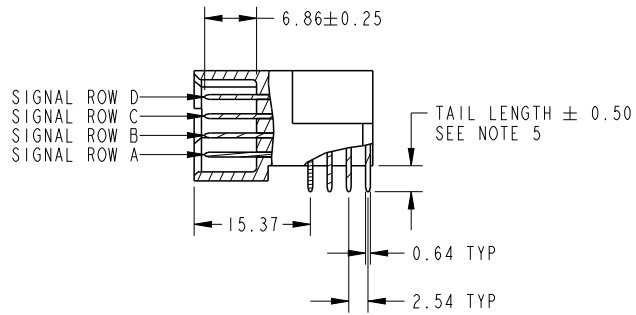
Copyright FCI.

dr	Jerome Chen	2008/09/12	projection 	MM 	size	A4	scale	1:1	
eng	Ruan MT	2015/09/30			ecn no	ELX-DG-21593-1			
chr	Fancy Zhang	2015/09/30			rel level	Released			
appr	Pei-Ming Zheng	2015/09/30	product family	PwrBlade					
		title	R/A HEADER WITH GUIDE PIN		dwg no	51966		rev	E
www.fci.com		cat. no.	*	Product - Customer Drw		sheet 2 of 3			

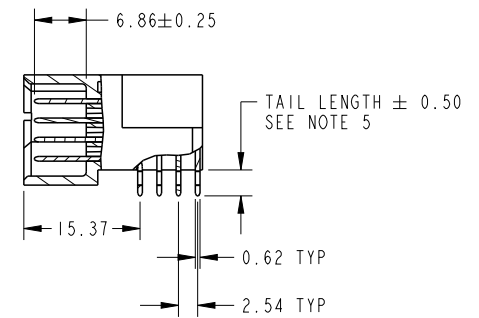
PRODUCT NUMBER

51966-A00CCC00EF\_..

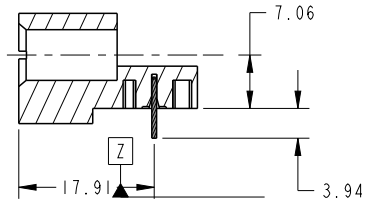
SEE NOTE 1



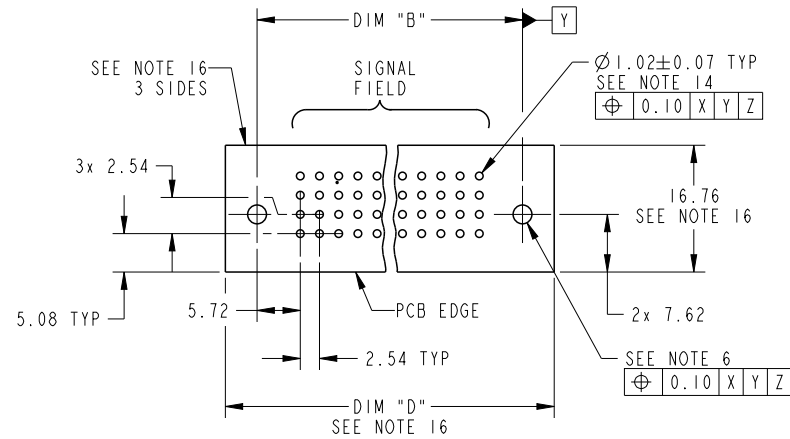
⚠ BROKEN-OUT SECTION C-C FOR SOLDER TO BOARD ONLY



⚠ BROKEN-OUT SECTION C-C FOR PRESS FIT ONLY



SECTION A-A



RECOMMENDED PCB LAYOUT

dr	Jerome Chen	2008/09/12	projection 	MM ←→	size	A4	scale	1:1	
eng	Ruan MT	2015/09/30			ecn no	ELX-DG-21593-1			
chr	Fancy Zhang	2015/09/30			rel level	Released			
appr	Pei-Ming Zheng	2015/09/30	product family	PwrBlade					
		title	R/A HEADER WITH GUIDE PIN		dwg no	51966		rev	E
www.fci.com		cat. no.	*	Product - Customer Drw		sheet 3 of 3			



Copyright FCI.

## X-ON Electronics

Largest Supplier of Electrical and Electronic Components

*Click to view similar products for [Power to the Board](#) category:*

*Click to view products by [FCT Electronics](#) manufacturer:*

Other Similar products are found below :

[10131318-08512GRLF](#) [6450171-4](#) [6450552-7](#) [6600323-8](#) [6643429-1](#) [6646040-2](#) [6651939-1](#) [6766604-1](#) [120959-1](#) [1393557-2](#) [1393532-2](#)  
[1393532-3](#) [1393532-4](#) [1393557-1](#) [1600812-5](#) [1-6450861-2](#) [1645595-1](#) [1743490-1](#) [1744132-7](#) [1761122-1](#) [1766169-1](#) [1766250-1](#) [18362](#)  
[1892109-1](#) [1-967627-6](#) [2226808-1](#) [2-6450860-5](#) [2-6450860-6](#) [2-6450870-0](#) [93003-0502](#) [953552-1](#) [1-6450161-4](#) [1-6450850-6](#) [1645526-2](#) [1-](#)  
[6600130-0](#) [1743419-1](#) [1766150-1](#) [2005243-2](#) [211110-1](#) [2-6600130-2](#) [TE34-12-16P-F0](#) [51700-10201602AALF](#) [5-6450830-6](#) [5646956-4](#)  
[36662-0005](#) [40585-3000](#) [4-6450830-9](#) [4-6600333-3](#) [51142-0214](#) [10125416-4050LF](#)