

## TSA Type – for tube amplifiers

Single-phase TSA type audio grade, toroidal transformers, manufactured and tested in compliance with EN 61558.

Toroidal transformers in audio grade realization can satisfy the most demanding electro-acoustic applications. They are marked by the highest quality, noise-free operation and excellent electrical parameters. They are custom made in order to satisfy the individual needs of the recipient.

The excellent performance of our products has been achieved by use of the highest quality laboratory selected components.

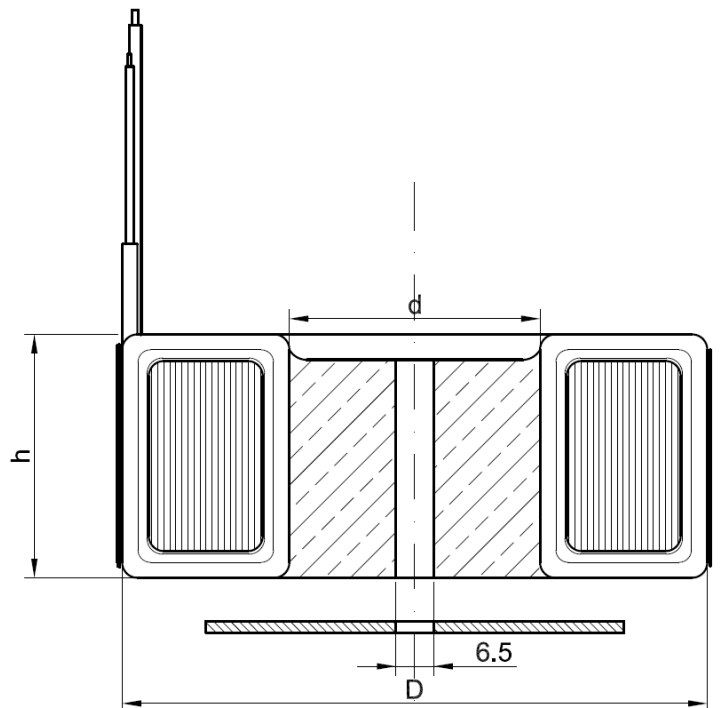
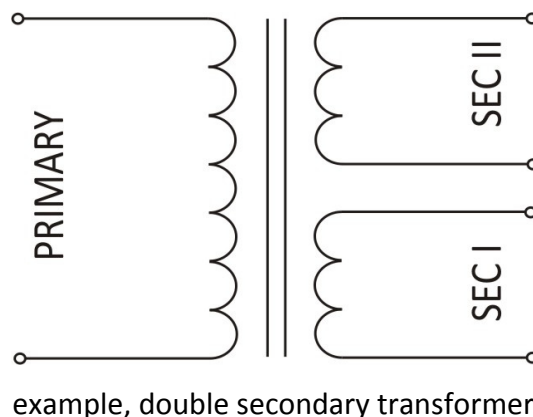
Modifications include but are not limited to: core and coil saturation, electrical and magnetic shields, enclosures filled with epoxy resin, and vibration-proof mounting.

### Technical specification:

Nominal Power: 20 - 2000VA  
 Input voltage: 1 – 500V  
 Frequency: 50 – 60Hz  
 Output voltage: 3 – 1000V (multiple taps)

Construction / Insulation class: II / B (130°C)  
 Ambient temperature: 40°C  
 Insulation voltage test: 4kVAC (RMS)

### Wiring diagram:



**Audio Grade TSTA types for tube amplifiers:**

Type:	<b>TSTA 40/001</b>	
Input voltage:	2x 115V	
Frequency:	50/60Hz	
Nominal Power:	40VA	
Secondary voltages:		Nominal Current
SEC I	235V	75mA
SEC II	3,15 - 0 - 3,15V	3A
Dimensions:	77mm x 30mm (h) / 0,6 kg	

Type:	<b>TSTA 40/002</b>	
Input voltage:	2x 115V	
Frequency:	50/60Hz	
Nominal Power:	40VA	
Secondary voltages:		Nominal Current
SEC I	200-0-200V	40mA
SEC II	3,15 - 0 - 3,15V	2,5A
Dimensions:	77mm x 30mm (h) / 0,6 kg	

Type:	<b>TSTA 50/002</b>	
Input voltage:	2x 115V	
Frequency:	50/60Hz	
Nominal Power:	50VA	
Secondary voltages:		Nominal Current
SEC I	200V	100mA
SEC II	15V	2A
Dimensions:	83mm x 33mm (h) / 0,7 kg	

Type:	<b>TSTA 60/002</b>	
Input voltage:	2x 115V	
Frequency:	50/60Hz	
Nominal Power:	60VA	
Secondary voltages:		Nominal Current
SEC I	250V	150mA
SEC II	3,15 - 0 - 3,15V	2,5A
Dimensions:	85mm x 34mm (h) / 0,75 kg	

Type:	<b>TSTA 80/001</b>	
Input voltage:	2x 115V	
Frequency:	50/60Hz	
Nominal Power:	80VA	
Secondary voltages:		Nominal Current
SEC I	275V	120mA
SEC II	3,2 - 0 - 3,2V	7A
Dimensions:	94mm x 40mm (h) / 1,1 kg	

Type:	<b>TSTA 80/002</b>	
Input voltage:	2x 115V	
Frequency:	50/60Hz	
Nominal Power:	80VA	
Secondary voltages:		Nominal Current
SEC I	280V	150mA
SEC II	3,2 - 0 - 3,2V	1,5A
SEC III	3,2 - 0 - 3,2V	1,5A
SEC IV	3,2 - 0 - 3,2V	1,5A
SEC V	3,2 - 0 - 3,2V	1,5A
Dimensions:	94mm x 40mm (h) / 1,1 kg	

Type:	<b>TSTA 120/002</b>	
Input voltage:	2x 115V	
Frequency:	50/60Hz	
Nominal Power:	120VA	
Secondary voltages:		Nominal Current
SEC I	250V	300mA
SEC II	3,15 - 0 - 3,15V	4,5A
Dimensions:	95mm x 42mm (h) / 1,3 kg	

Type:	<b>TSTA 200/003</b>	
Input voltage:	2x 115V	
Frequency:	50/60Hz	
Nominal Power:	200VA	
Secondary voltages:		Nominal Current
SEC I	300 – 0 – 300V	200mA
SEC II	5V	4A
SEC III	2,5V	5A
SEC IV	2,5V	5A
SEC V	3,15 - 0 - 3,15V	3A
Dimensions:	115mm x 46mm (h) / 2 kg	

Type:	<b>TSTA 220/001</b>	
Input voltage:	2x 115V	
Frequency:	50/60Hz	
Nominal Power:	220VA	
Secondary voltages:		Nominal Current
SEC I	270 – 0 – 270V	300mA
SEC II	0 – 5 – 6,3V	2A
SEC III	6,3V	3A
SEC IV	6,3V	3A
Dimensions:	117mm x 47mm (h) / 2 kg	

Type:	<b>TSTA 250/001</b>	
Input voltage:	2x 115V	
Frequency:	50/60Hz	
Nominal Power:	220VA	
Secondary voltages:		Nominal Current
SEC I	0 – 275 – 330V	400mA
SEC II	50V	0,1A
SEC III	6,3V	7A
SEC IV	6,3V	7A
SEC V	6,3V	2A
Dimensions:	117mm x 47mm (h) / 2,3kg	

Type:	<b>TSTA 250/002</b>	
Input voltage:	2x 115V	
Frequency:	50/60Hz	
Nominal Power:	220VA	
Secondary voltages:		Nominal Current
SEC I	390 – 0 – 390V	240mA
SEC II	3,15 – 0 – 3,15V	5,4A
SEC III	6,3V	3,8A
Dimensions:	117mm x 47mm (h) / 2,3kg	

## X-ON Electronics

Largest Supplier of Electrical and Electronic Components

*Click to view similar products for [Power Transformers](#) category:*

*Click to view products by [Toroidy](#) manufacturer:*

Other Similar products are found below :

[1-1672275-3](#) [A41-43-20A20](#) [DST5-120B39](#) [14A-56-36B42](#) [EN2997SE61808F8](#) [9-1611461-2](#) [29768](#) [1654308-1](#) [170R](#) [ST2-12B42](#) [ST3-12B5](#) [ST6118T-R](#) [PE-68421NL](#) [PL2.5-12-130B-C](#) [PoE4W3x5.0-R](#) [POE7W3X3.3-R](#) [4000-20C02K999](#) [4001-09W15AE777](#) [48RO-5000G-SIL](#) [TRA-0130-R](#) [XON7-15/2](#) [47045010](#) [1-1611462-6](#) [1-1611760-0](#) [EN2997SE61808F9](#) [OPT110F-EAS00004AU](#) [XON25-9/24](#) [XON01349](#) [XON01200](#) [XDCA001/INER01](#) [PE-68414NL](#) [F-91X](#) [F-29U](#) [DST4-16B10](#) [DP241-8-24A55](#) [DP241-5-10A21](#) [P-8577](#) [T50-24M3](#) [1-1672277-2](#) [1-1672277-0](#) [1-1672275-5](#) [1-1672275-0](#) [4000-01V18BC999](#) [PC-24-180B18](#) [750315837](#) [750315125](#) [POE13W2VERS-R](#) [PA2380NL](#) [14A-10-12B9](#) [PE-68411NL](#)