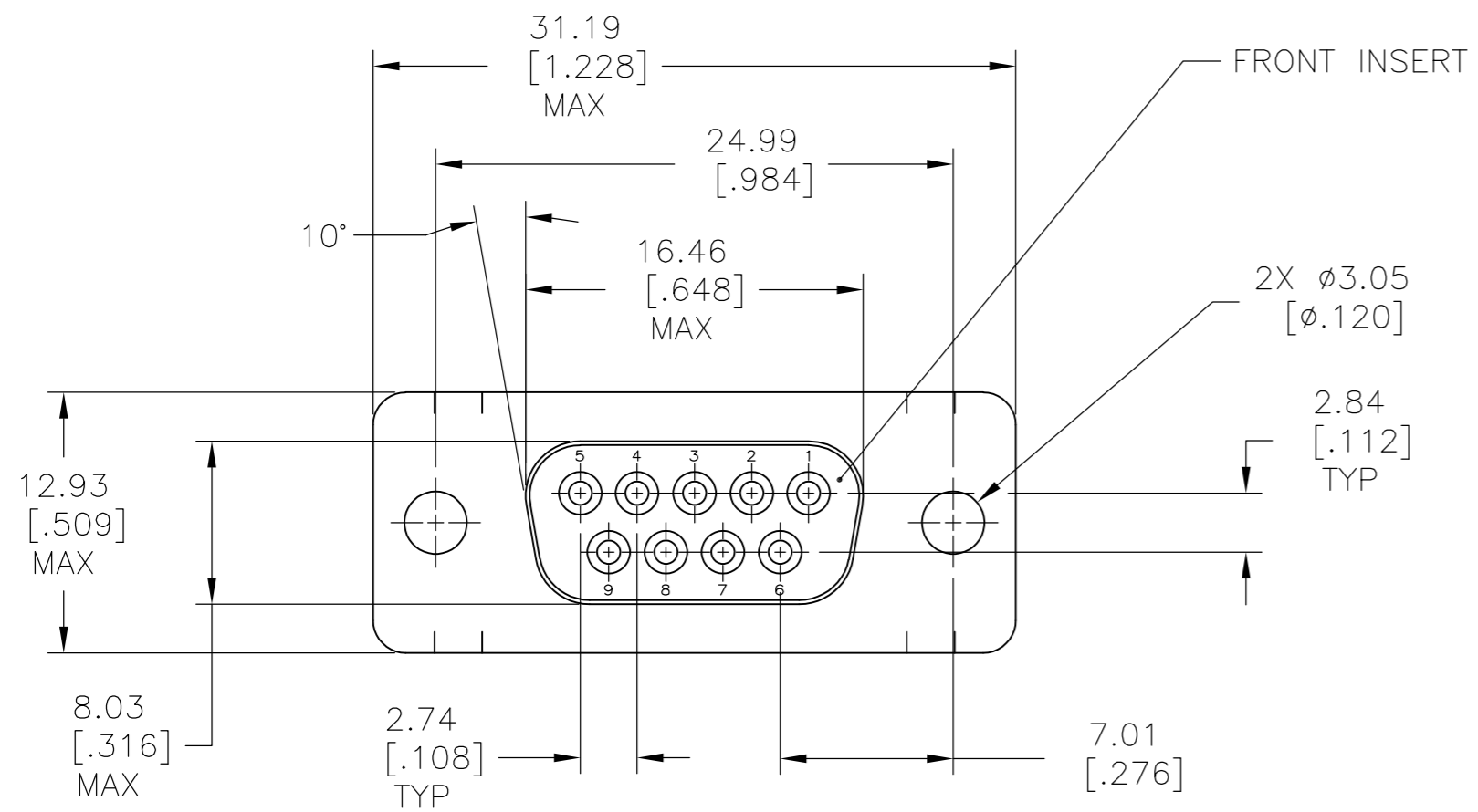
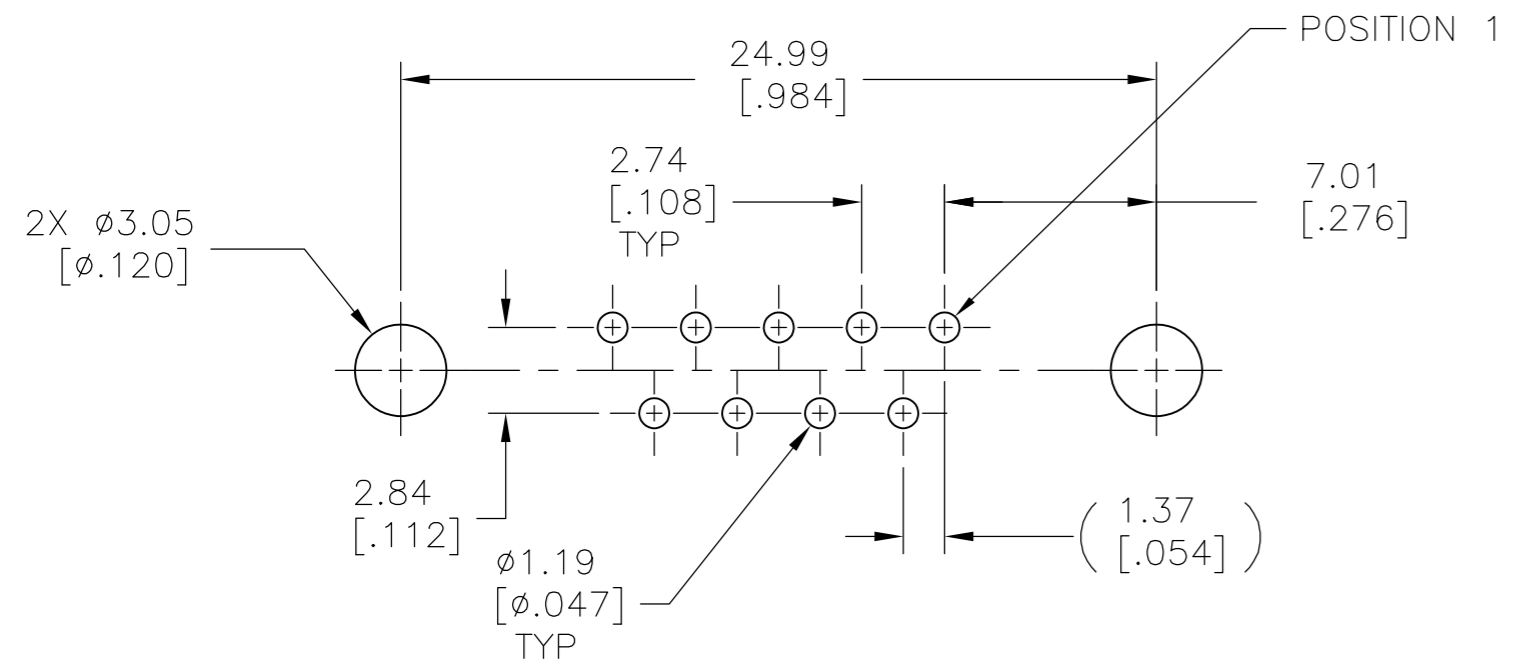
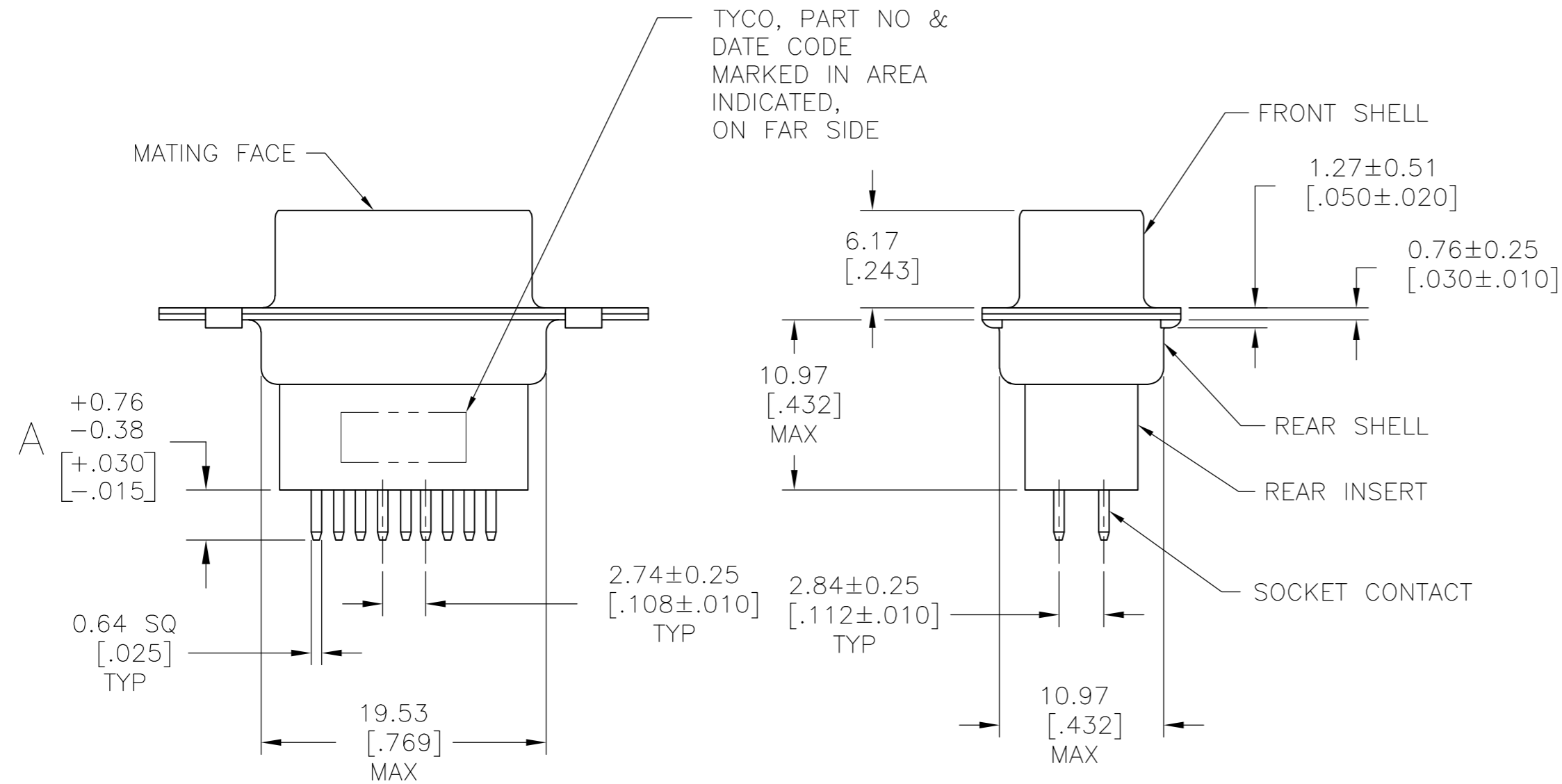


THIS DRAWING IS UNPUBLISHED. RELEASED FOR PUBLICATION
 © COPYRIGHT 2005 By - ALL RIGHTS RESERVED.

LOC		DIST		REVISIONS			
P	LTR	DESCRIPTION	DATE	DWN	APVD		
GP	00						
	D	REVISED PER ECO-14-011808	09AUG2014	AP	SB		



- 1 MOLDED PARTS: GLASS-FILLED PBT OR GLASS-FILLED NYLON, UL94V-0 RATED.
 COLOR: BLACK
 SHELLS: CARBON STEEL.
 CONTACTS: PHOS BRONZE.
- 2 SHELLS: 5.08 μ m [.000200] MIN ZINC WITH YELLOW CHROMATE COATING.
 CONTACTS: GOLD FLASH PLATED FOR LENGTH OF 3.81 [.150] MIN FROM MATING END,
 2.54 μ m [.000100] MIN TIN ON SOLDER END, BOTH OVER
 1.27 μ m [.000050] MIN NICKEL.
- 3 SHELLS: 5.08 μ m [.000200] MIN ZINC WITH YELLOW CHROMATE COATING.
 CONTACTS: GOLD PLATED FOR LENGTH OF 3.81 [.150] MIN FROM MATING END,
 0.76 μ m [.000030] MIN GOLD IN MATED AREA,
 2.54 μ m [.000100] MIN TIN ON SOLDER END, BOTH OVER
 1.27 μ m [.000050] MIN NICKEL.
 OR
 GOLD FLASH OVER PALLADIUM-NICKEL PLATED FOR LENGTH OF
 3.81 [.150] MIN FROM MATING END,
 0.76 μ m [.000030] MIN TOTAL IN MATED AREA,
 2.54 μ m [.000100] MIN TIN ON SOLDER END, BOTH OVER
 1.27 μ m [.000050] MIN NICKEL.



P.C. BOARD MOUNTING DIMENSIONS

3	4.78 [.188]	5205734-7
3	16.54 [.651]	5205734-5
2	10.85 [.427]	5205734-4
3	3.18 [.125]	5205734-1
GOLD FINISH		A
		PART NO

THIS DRAWING IS A CONTROLLED DOCUMENT.		DWN B. LATTUCA 02SEPT05		
DIMENSIONS: mm [INCHES]		CHK S. BOLASH 02SEPT05		
TOLERANCES UNLESS OTHERWISE SPECIFIED:		APVD M. WALMSLEY 02SEPT05	NAME	
0 PLC \pm -	1 PLC \pm -	PRODUCT SPEC	108-40025	
2 PLC \pm -	3 PLC \pm .005	APPLICATION SPEC	114-40013	
4 PLC \pm -	ANGLES \pm -	FINISH	WEIGHT -	
MATERIAL 1	FINISH 2 3	SIZE A2 CAGE CODE 00779 DRAWING NO C=5205734 RESTRICTED TO - CUSTOMER DRAWING SCALE NTS SHEET 1 OF 1 REV D		

X-ON Electronics

Largest Supplier of Electrical and Electronic Components

Click to view similar products for [D-Sub Standard Connectors](#) category:

Click to view products by [TE Connectivity](#) manufacturer:

Other Similar products are found below :

[DCM37S732N](#) [DAM15P500](#) [DEV09S364GTLF](#) [DEM09P032N](#) [DDM50P732N](#) [DAM15S332N](#) [173109-2218](#) [173109-2466](#) [173109-2436](#)
[173109-2435](#) [56F706-005-LI](#) [56F711-015](#) [015-0341-000](#) [015-0372-008](#) [015-8544-011](#) [017041-0005](#) [012-0515-000](#) [012-9507-034](#) [012-9507-114](#) [012-9534-001](#) [020745-0008](#) [609-25P](#) [M24308/2-23Z](#) [M243082310F](#) [M243082410F](#) [M243082411F](#) [M24308/4-21](#) [CT1A18-11PSA206](#)
[CT1N36-5SC](#) [CT2-16S-17PS](#) [CT2-20-15PCAU](#) [CT2-24-12PS](#) [CT2-24-28PSF127A206](#) [CT2-32-9PC](#) [CT6F9767-14-4-14S-5PC](#)
[CT6FA10SL-4PS](#) [CT7-18-10SC](#) [CT7-18-10SCAU](#) [CT7-18-12SCAU](#) [CT7-18-1PC](#) [CT7-18-1PCAU](#) [CT7-18-21SCAU](#) [M83513/01-FC](#)
[M83723/76W24619 L/C](#) [M85049/48-3-2F](#) [69001-865](#) [6STD09PCM99B70X](#) [6STD09SCT99S40X](#) [6STD15PCT99S40X](#)
[6STD15SCM99B30X](#)