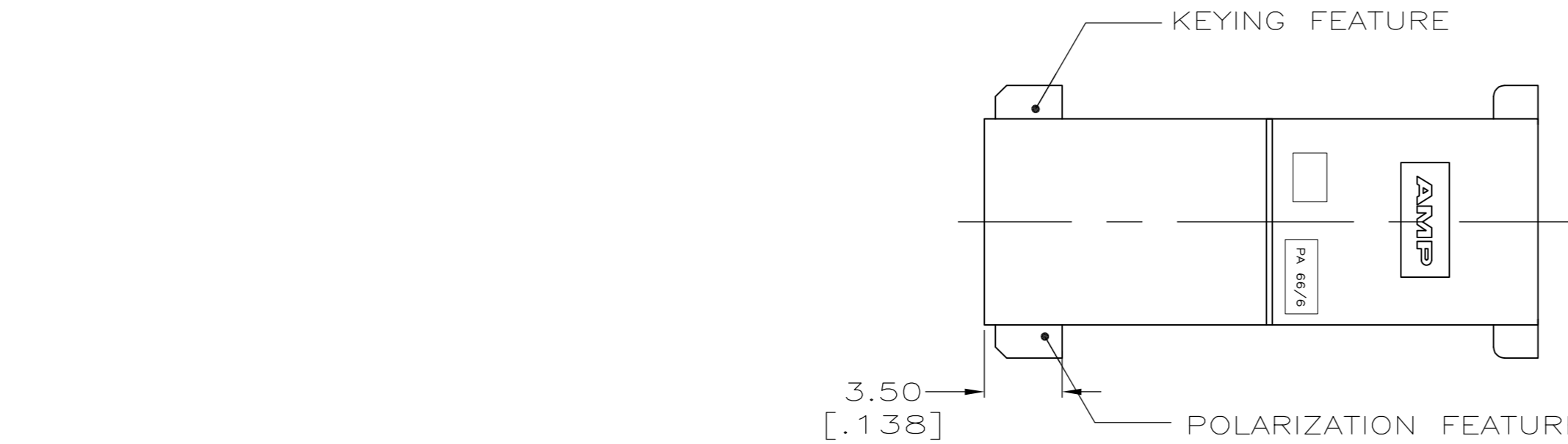
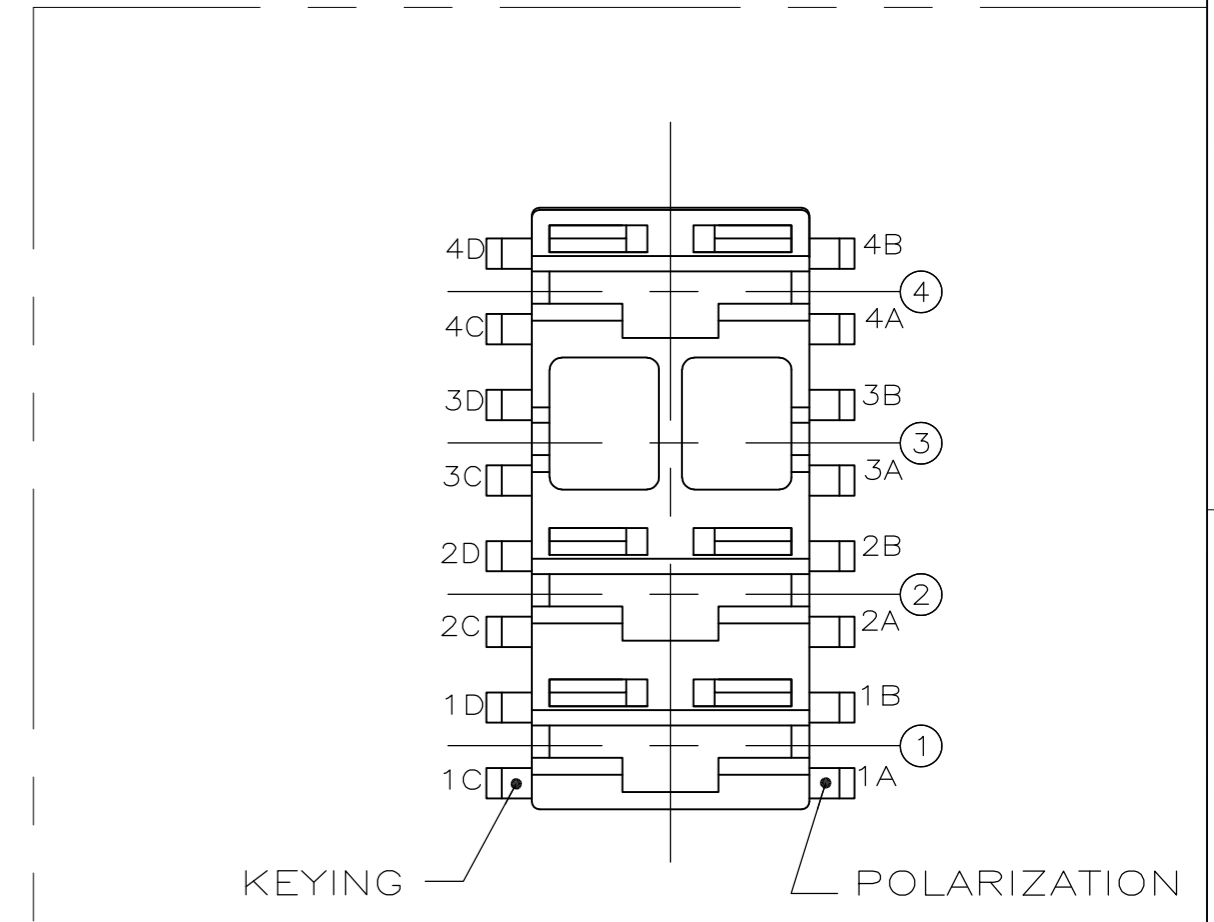
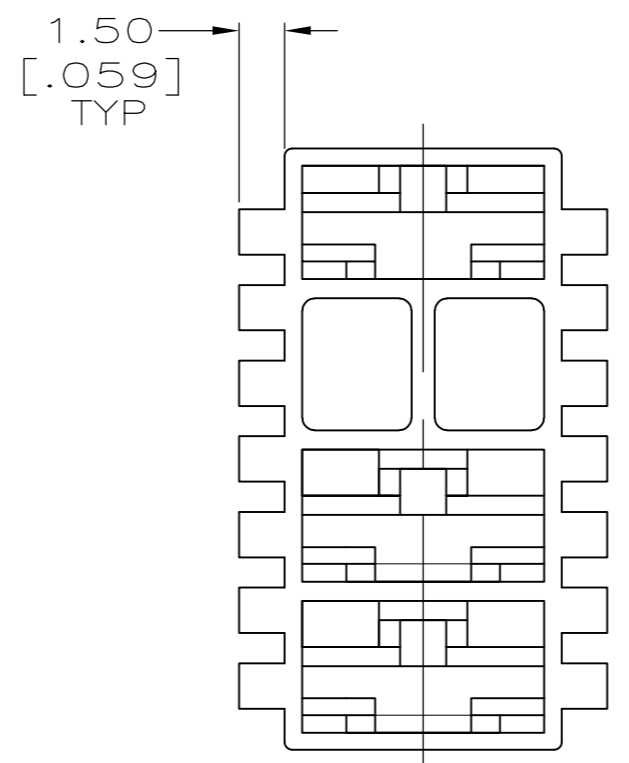
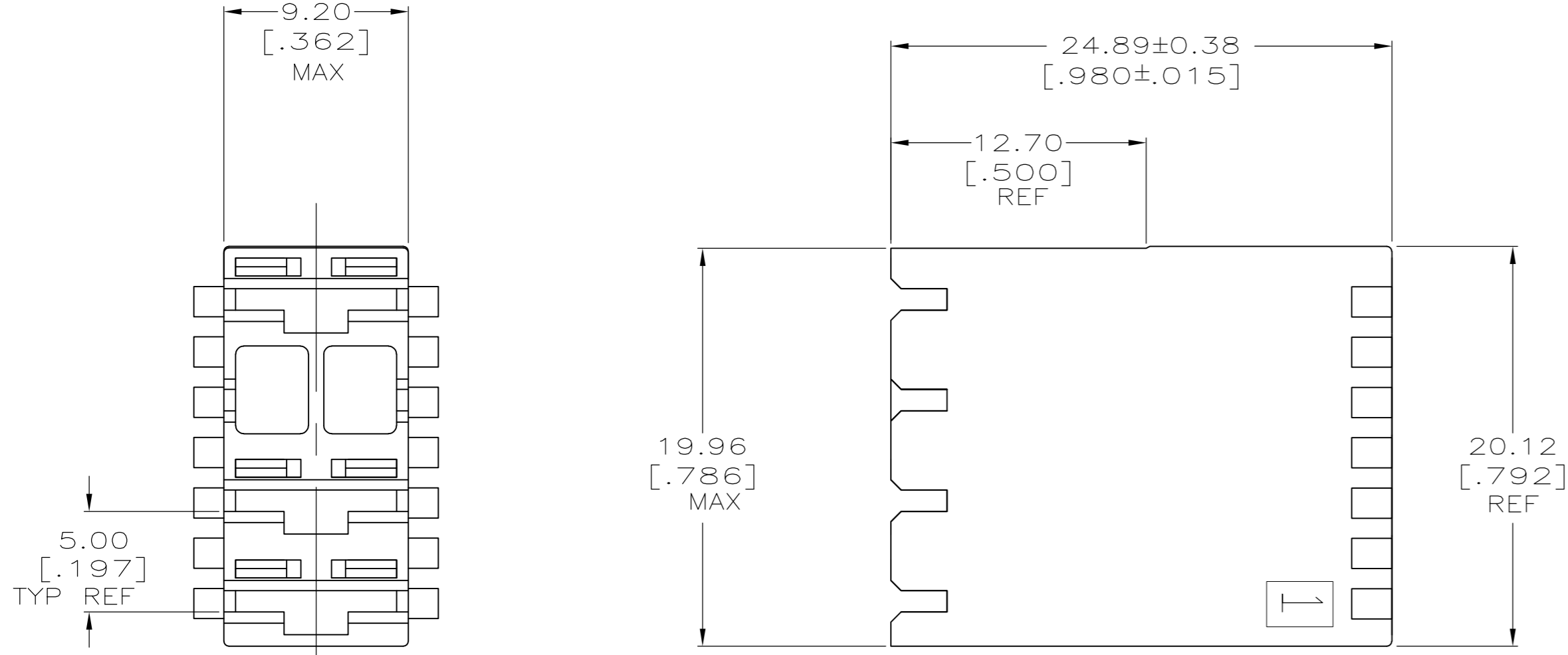


THIS DRAWING IS UNPUBLISHED. RELEASED FOR PUBLICATION
 © COPYRIGHT BY TYCO ELECTRONICS CORPORATION. ALL RIGHTS RESERVED.

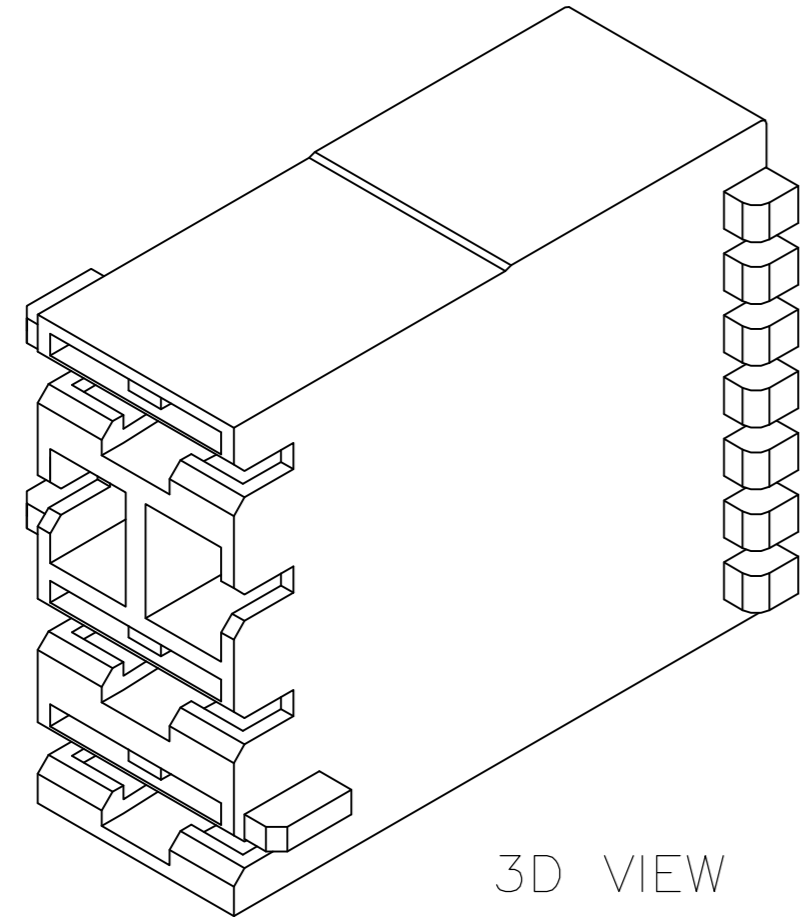
LOC	DIST	REVISIONS			
P	LTR	DESCRIPTION	DATE	DWN	APVD
AF	50	H3	REVISED PER ECR-10-004278	04MAR10	JR RL



- ACCEPTS RECEPTACLE CONTACTS 1217378(#18-#22 AWG SINGLE WIRE), 1217094(#18-#14 AWG SINGLE WIRE) AND 1217095 (TWO #18'S OR TWO #16'S OR A #16 + #18 COMBINATION).
 - FRONT AND BACK VIEWS SHOW ONLY THE GRIPPERS. FOR KEYING AND POLARIZATION FEATURES, SEE SPECIAL FRONT VIEW.
 - TAB SHOULDER SLOTS OPTIONAL ON BOTH SIDES OF DUMMY CIRCUIT.
- ⚠ PRELIMINARY - NOT FOR PRODUCTION



KEYING & POLARIZATION CODING AND COMBINATIONS
 SPECIAL FRONT VIEW



3D VIEW

OBSOLETE	BLUE	NONE	NONE	⚠ 521295-3
04-A	NATURAL	3C, 4D	1B	⚠ 521295-2
---	BLUE	NONE	NONE	521295-1
RAST 5 DESIGNATION	COLOR	KEYING FEATURE	POLARIZATION FEATURES	PART NO.
THIS DRAWING IS A CONTROLLED DOCUMENT.		DWN 14APROO JR RUTH	Tyco Electronics Corporation Harrisburg, Pa 17105-3608	
DIMENSIONS: mm		CHK 14APROO MS FEHER	NAME	
TOLERANCES UNLESS OTHERWISE SPECIFIED:		APVD 14APROO D BRATINA	HOUSING, RECEPT, POSITIVE-LOCK, MKIII, 6.35 [.250] SERIES, 4 POSITION / 3 CIRCUIT	
0 PLC ± -	1 PLC ± -	PRODUCT SPEC	SIZE	CAGE CODE
2 PLC ± 0.25 [.010]	3 PLC ± -	APPLICATION SPEC	A2	00779
4 PLC ± -	ANGLES ± -	114-2074	DRAWING NO	C=521295
MATERIAL 66/6 NYLON	FINISH SEE TABLE	WEIGHT -	SCALE 4:1	SHEET 1 OF 1
CUSTOMER DRAWING		REV H3		RESTRICTED TO -

X-ON Electronics

Largest Supplier of Electrical and Electronic Components

Click to view similar products for [Terminals](#) category:

Click to view products by [TE Connectivity](#) manufacturer:

Other Similar products are found below :

[HT-13-10](#) [71M-250-32-NB](#) [01-2065-1-0216](#) [00581P0075](#) [M10-10RX](#) [M10BCK](#) [60205-1](#) [604200-1](#) [60598-1-CUT-TAPE](#) [60617-1-C](#) [60873-1](#) [M14-516R/SK](#) [M14-6RSX](#) [M18-10FLX](#) [M18-8FBX](#) [M18-8R/LX](#) [M18BCK](#) [61314-6-C](#) [61-S](#) [61-SN-A](#) [62-NBM-A](#) [63-S](#) [640179-1](#) [640917-2-CUT-TAPE](#) [6501550002](#) [66107-2-C](#) [66107-4-C](#) [696683-1](#) [696834-1](#) [696861-1](#) [696931-1](#) [696999-1](#) [M8-516RK](#) [M86700006](#) [MA250DMFMX-A](#) [701-2007](#) [701-2307](#) [701-7761-03](#) [70F-110-32-PB](#) [718-N-A](#) [71M-187-20-NBL](#) [71M-250-32-NBL](#) [72F-187-20-NBL](#) [72M-250-32-NBL](#) [7310](#) [73F-250-32](#) [73F-250-32-NBL](#) [73F-250-32-NL](#) [F14-10C](#) [F-1M](#)