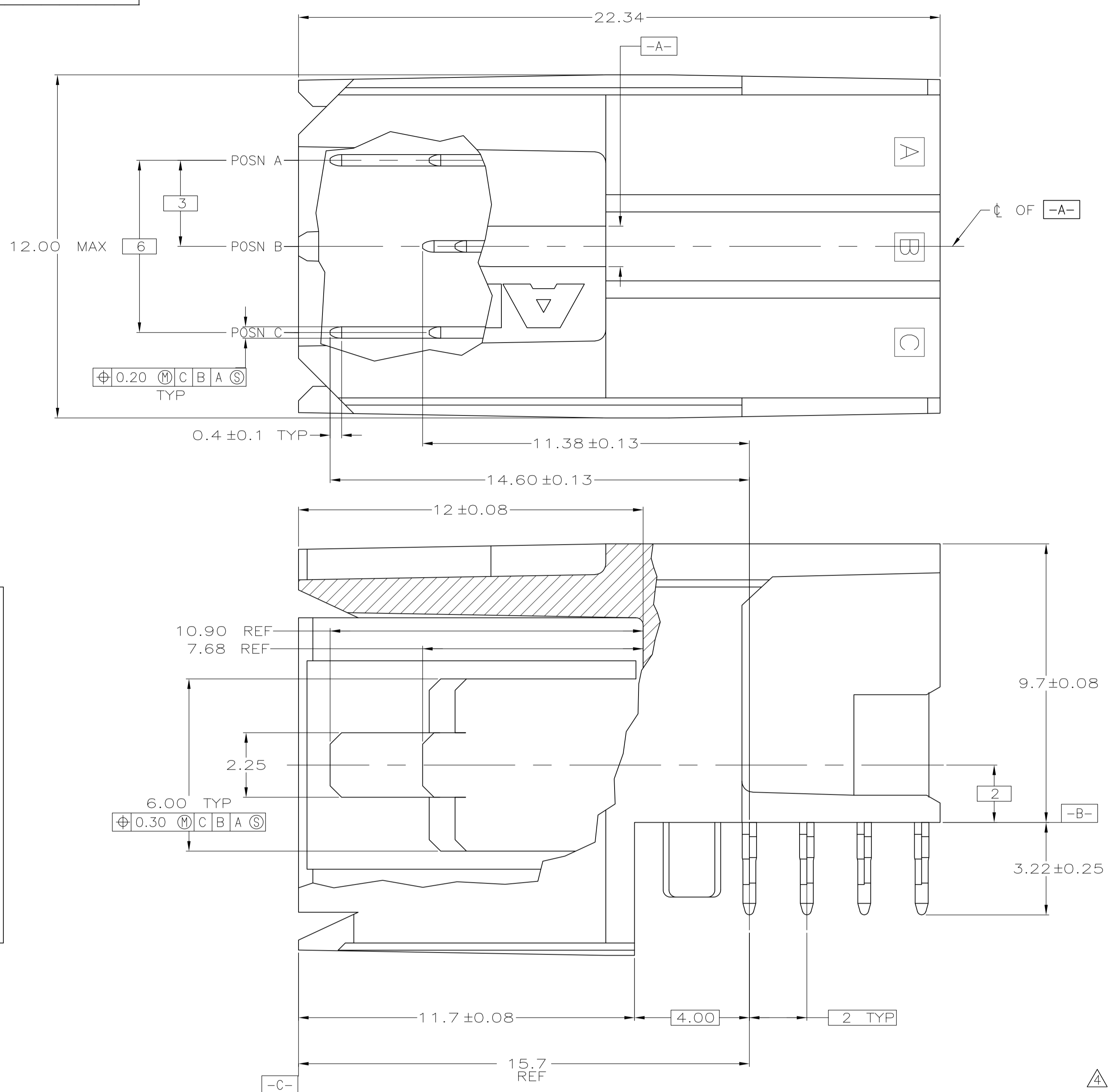
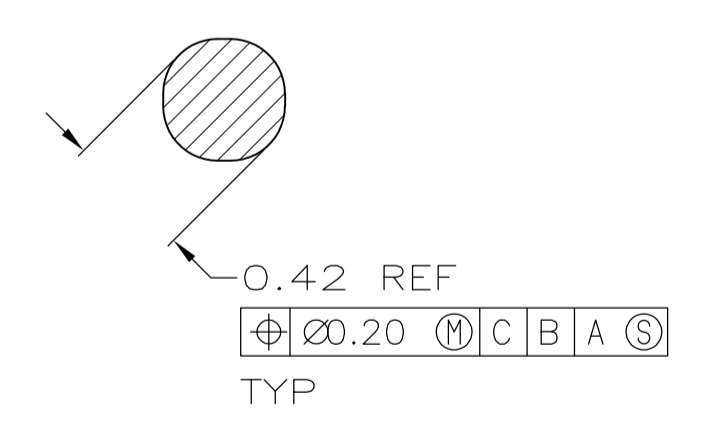
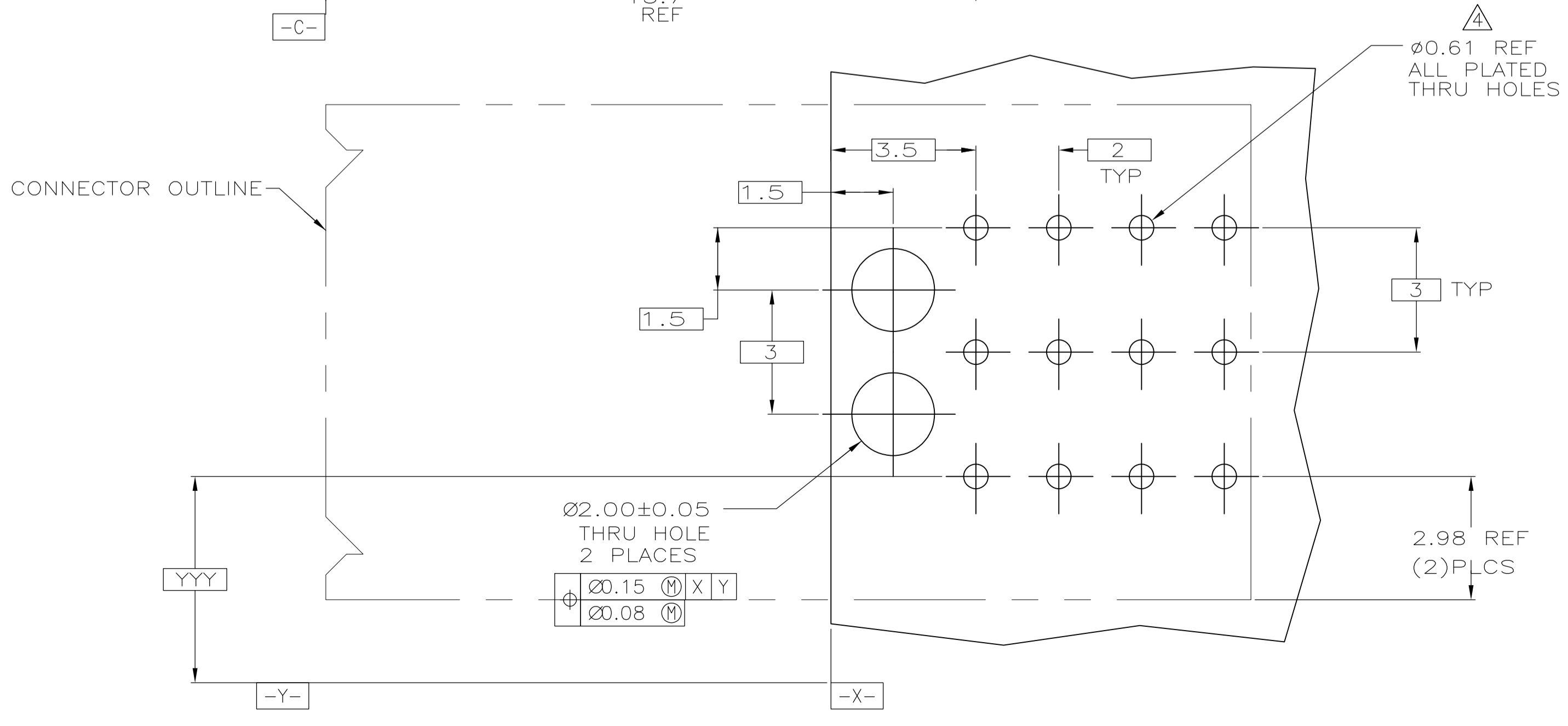
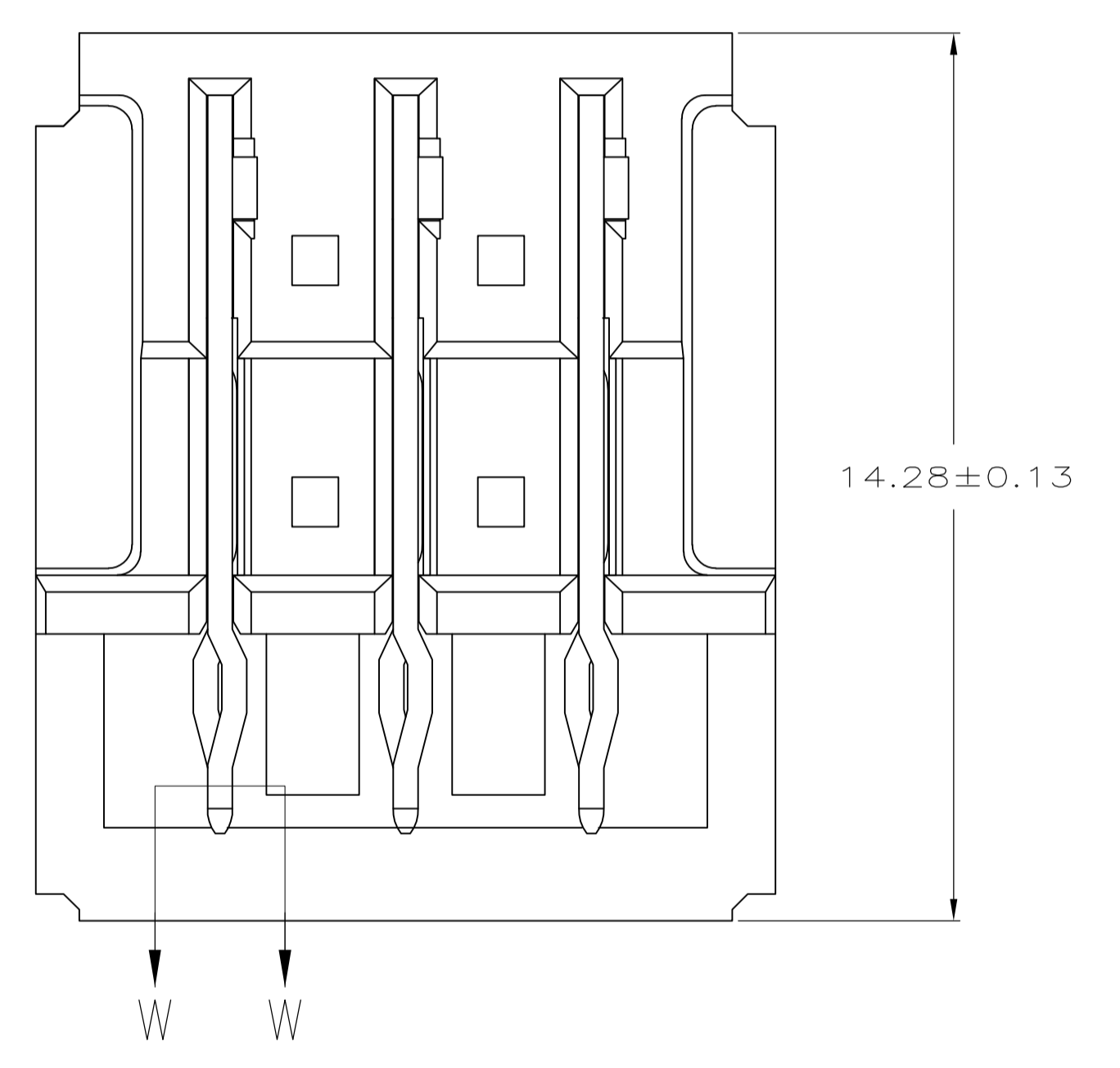
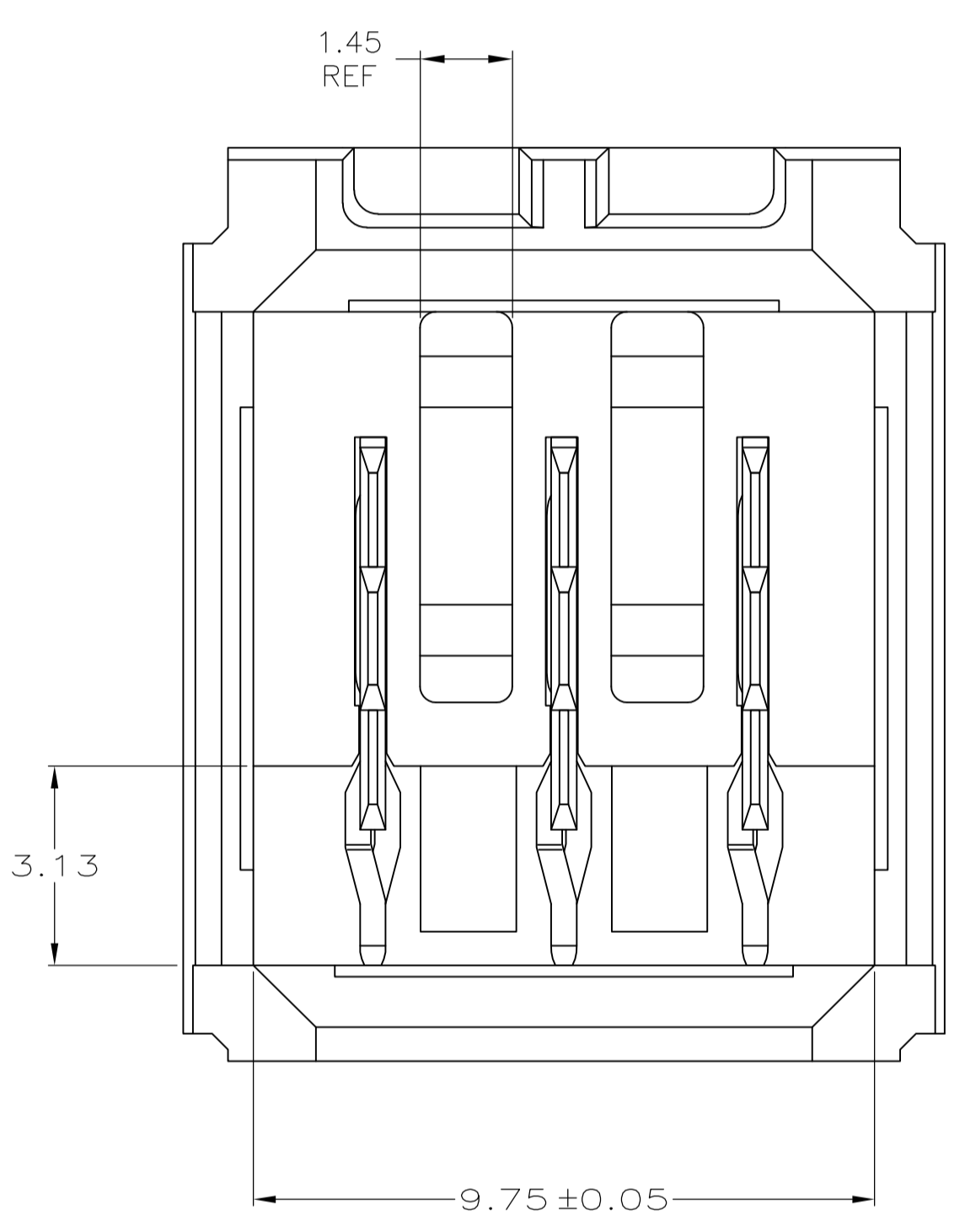


LOC		DIST		REVISIONS				
AD	00	REV	DATE	DESCRIPTION	DATE	BY	APPV	
C		1	05JAN11	REVISED PER ECO-11-000045		DH	DY	



- ⚠ MATERIAL: HOUSING: POLYESTER. COLOR: GRAY. UL 94V-0.
CONTACT: PHOSPHOR BRONZE.
- ⚠ FINISH: CONTACT MATING AREA: 1.27μm MIN GOLD OR 0.08μm MIN GOLD OVER 0.76μm MIN PALLADIUM-NICKEL.
ACTION PIN AREA: 0.5μm MIN TIN PLATE,
ALL OVER 1.27μm MIN NICKEL UNDERPLATE.
- ⚠ FINISH: CONTACT LUBRICATION WITH BELLCORE APPROVED LUBRICANT. TECHNICAL REFERENCE: TR-NWT-001217 ISSUE 1, SEPT 1992.
- ⚠ REFERENCE APPLICATION SPEC 114-1103 FOR RECOMMENDED PLATED THRU HOLE DIAMETER AND PLATING THICKNESS.
- 5 CURRENT RATING 10A/CONTACT PER PRODUCT SPEC 108-1651.



SECTION W-W
SCALE 40:1

5223972-1
PART NUMBER

THIS DRAWING IS A CONTROLLED DOCUMENT.		DIN: B. CARBO 130EC04	Tyco Electronics Corporation Harrisburg, PA 17105-3608
DIMENSIONS: 1/16		CHK: R. PATTERSON 130EC04	
TOLERANCES UNLESS OTHERWISE SPECIFIED:		NAME: R. PATTERSON 130EC04	ASSEMBLY, RIGHT ANGLE HEADER W/ RETENTION PEGS UNIVERSAL POWER MODULE
0. PLC ± -	1. PLC ± -	APPLICATION SPEC	SIZE: A1
2. PLC ± 0.13	3. PLC ± -	WEIGHT: -	CAGE CODE: -
4. PLC ± -	ANGLES ± -	CUSTOMER DRAWING	DRAWING NO: 00779
MATERIAL: ⚠		SCALE: 10:1	
FINISH: ⚠		SHEET: 1 of 1	
		REV: C	

X-ON Electronics

Largest Supplier of Electrical and Electronic Components

Click to view similar products for [Hard Metric Connectors](#) category:

Click to view products by [TE Connectivity](#) manufacturer:

Other Similar products are found below :

[10146110-VR5C](#) [6345127-1](#) [646916-9](#) [6469658-1](#) [853016](#) [973108](#) [1-2000713-0](#) [1-2000713-2](#) [1-2000713-3](#) [120646-1](#) [134187](#) [1645343-1](#)
[1645456-1](#) [1645564-3](#) [1645594-1](#) [1645601-1](#) [1934822-1](#) [2000829-2](#) [2000985-2](#) [223085-1](#) [278071110010833](#) [1645179-1](#) [1645245-1](#)
[1645457-1](#) [1645525-1](#) [1645570-1](#) [1645596-1](#) [17-8072-125-000-863+](#) [1857470-1](#) [1934275-1](#) [1934289-1](#) [1934759-1](#) [2000670-2](#) [2000673-1](#)
[2000843-2](#) [2000984-2](#) [204975](#) [2170292-2](#) [2-536642-6](#) [3-100668-0](#) [3-106015-1](#) [352188-1](#) [352629-1](#) [3-646346-0](#) [3-646356-0](#) [3-646457-0](#) [3-646529-0](#) [3-646530-0](#) [5120823-1](#) [5120899-1](#)