

Carbon Film Resistors, General Purpose, High Voltage



FEATURES

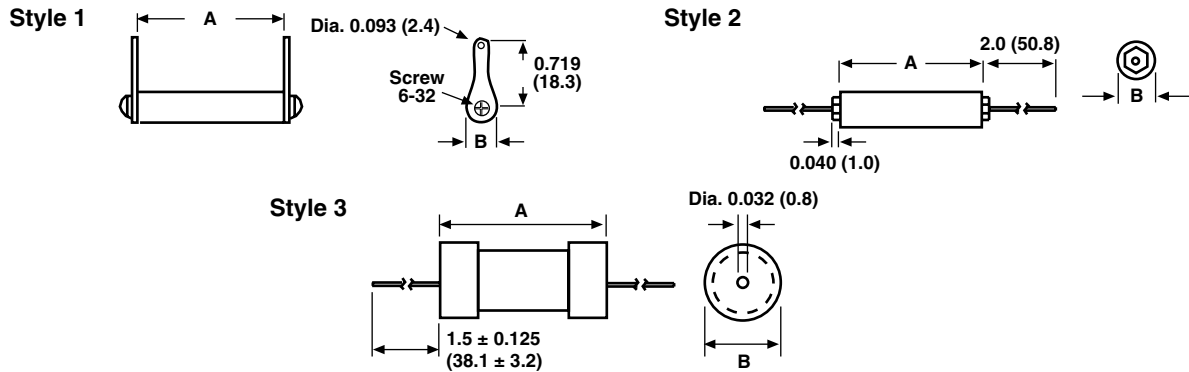
- Ratings to 10 W, 40 kV
- Available with either radial lugs or axial leads
- Epoxy/enamel coated, with additional Mylar® heat shrink sleeve 0.002" (0.051 mm) thick
- ± 20 % tolerance standard, tolerances of ± 15 %, ± 10 % and ± 5 % available
- See models D and G for special purpose high voltage carbon film resistors

STANDARD ELECTRICAL SPECIFICATIONS				
GLOBAL MODEL	POWER RATING $P_{25^{\circ}\text{C}}$ W	MAXIMUM WORKING VOLTAGE V ⁽¹⁾	RESISTANCE RANGE ⁽²⁾ Ω	STYLE
BAEW	0.5	2.5 kV	50K to 500M	2
BAKW	1	5 kV	100K to 500M	2
BBF	1	3.5 kV	50K to 500M	1
BBFW	1	3.5 kV	50K to 500M	2
BBM	2	7.5 kV	50K to 500M	1
BBMW	2	7.5 kV	50K to 500M	2
BBR	3	15 kV	100K to 500M	1
BBRW	3	15 kV	100K to 500M	2
BBV	5	30 kV	200K to 500M	1
BFQ	4	15 kV	100K to 500M	1
BFT	6	25 kV	200K to 500M	1
BFW	10	40 kV	400K to 500M	1
TAEW	0.5	3 kV	1M to 500M	3
TAFW	1	5 kV	1M to 500M	3
TAKW	1.5	7.5 kV	1M to 500M	3
TAOW	2	10 kV	1M to 500M	3
TAQW	2.5	12.5 kV	1M to 500M	3
TARW	3	15 kV	1M to 500M	3

Notes

- ± 20 % standard, ± 5 %, ± 10 % and ± 15 % are available.
- (1) Continuous working voltage shall be $\sqrt{P \times R}$ or maximum working voltage, whichever is less.
- (2) All resistance values are calibrated at 100 V_{DC}-calibration at other voltages available on request. Contact factory for availability of values outside the listed range.

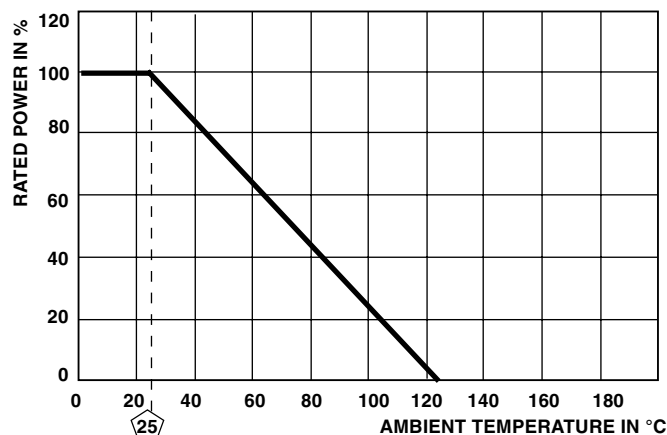
GLOBAL PART NUMBER INFORMATION				
New Global Part Numbering: BAEW2M50LF08 (preferred part numbering format)				
B	A	E	W	2 M 5 0 L F 0 8
GLOBAL MODEL (3 or 4 digits) (see Standard Electrical Specifications table)	RESISTANCE VALUE K = kΩ M = MΩ 50K0 = 50 kΩ 1M00 = 1 MΩ 500M = 500 MΩ	TOLERANCE CODE J = ± 5 % K = ± 10 % L = ± 15 % M = ± 20 %	PACKAGING E08 = Lead (Pb)-free, foam E22 = Lead (Pb)-free, bulk F08 = Tin/lead, foam B22 = Tin/lead, bulk	SPECIAL Blank = Standard (Dash Number) (up to 3 digits) From 1 to 999 as applicable
Historical Part Number example: BAEW 2M50 15 % (will continue to be accepted)				
BAEW	2M50	15 %	F08	
HISTORICAL MODEL	RESISTANCE VALUE	TOLERANCE CODE	PACKAGING	

DIMENSIONS in inches (millimeters)


GLOBAL MODEL	STYLE	A	B
BAEW	2	0.75 (19.05)	0.250 (6.35)
BAKW	2	1.50 (38.10)	0.250 (6.35)
BBF	1	1.00 (25.40)	0.313 (7.95)
BBFW	2	1.00 (25.40)	0.313 (7.95)
BBM	1	1.75 (44.45)	0.313 (7.95)
BBMW	2	1.75 (44.45)	0.313 (7.95)
BBR	1	3.00 (76.20)	0.313 (7.95)
BBRW	2	3.00 (76.20)	0.313 (7.95)
BBV	1	5.50 (139.70)	0.313 (7.95)
BFQ	1	2.50 (63.50)	0.563 (14.30)
BFT	1	4.00 (101.60)	0.563 (14.30)
BFW	1	6.50 (165.10)	0.563 (14.30)
TAEW	3	0.80 ± 0.05 (20.30 ± 1.30)	0.275 ± 0.020 (7.00 ± 0.50)
TAFW	3	1.05 ± 0.05 (26.70 ± 1.30)	0.275 ± 0.020 (7.00 ± 0.50)
TAKW	3	1.55 ± 0.05 (39.40 ± 1.30)	0.275 ± 0.020 (7.00 ± 0.50)
TAOW	3	2.05 ± 0.05 (52.10 ± 1.30)	0.275 ± 0.020 (7.00 ± 0.50)
TAQW	3	2.55 ± 0.05 (64.80 ± 1.30)	0.275 ± 0.020 (7.00 ± 0.50)
TARW	3	3.05 ± 0.05 (77.50 ± 1.30)	0.275 ± 0.020 (7.00 ± 0.50)

Note

- Models B axial leads are #20 AWG tinned copper. All other Dimensional tolerances for styles 1 and 2, unless otherwise specified are $\pm 0.016"$ [0.406 mm] or $\pm 1\%$, whichever is greater.


DERATING
MARKING

- DALE
- Model
- Value
- Tolerance
- Date code



Disclaimer

All product specifications and data are subject to change without notice.

Vishay Intertechnology, Inc., its affiliates, agents, and employees, and all persons acting on its or their behalf (collectively, "Vishay"), disclaim any and all liability for any errors, inaccuracies or incompleteness contained herein or in any other disclosure relating to any product.

Vishay disclaims any and all liability arising out of the use or application of any product described herein or of any information provided herein to the maximum extent permitted by law. The product specifications do not expand or otherwise modify Vishay's terms and conditions of purchase, including but not limited to the warranty expressed therein, which apply to these products.

No license, express or implied, by estoppel or otherwise, to any intellectual property rights is granted by this document or by any conduct of Vishay.

The products shown herein are not designed for use in medical, life-saving, or life-sustaining applications unless otherwise expressly indicated. Customers using or selling Vishay products not expressly indicated for use in such applications do so entirely at their own risk and agree to fully indemnify Vishay for any damages arising or resulting from such use or sale. Please contact authorized Vishay personnel to obtain written terms and conditions regarding products designed for such applications.

Product names and markings noted herein may be trademarks of their respective owners.

X-ON Electronics

Largest Supplier of Electrical and Electronic Components

Click to view similar products for [vishay](#) manufacturer:

Other Similar products are found below :

[M39006/22-0577H](#) [Y00892K49000BR13L](#) [VSKT250-16PBF](#) [M8340109M6801GGD03](#) [NTCALUG01A103F291L](#) [ITU1341SM3](#) [VS-MBRB1545CTPBF](#) [1KAB100E](#) [1KAB20E](#) [CP0005150R0JE1490](#) [S472M69Z5UR84K0R](#) [MKP1848C65090JY5L](#) [562R5GAD47RR](#)
[CRCW1210360RFKEA](#) [VSMF4720-GS08](#) [TSOP34438SS1V](#) [CRCW04024021FRT7](#) [001789X](#) [LTO050FR0500JTE3](#)
[CRCW08054K00FKTA](#) [LVR10R0200FE03](#) [009923A](#) [CRCW2010331JR02](#) [CS6600552K000B8768](#) [CSC07A0110K0GPA](#)
[M34C156K100BZSS](#) [M39003/01-2289](#) [M39003/01-2784](#) [M39006/25-0133](#) [M39006/25-0228](#) [M64W101KB40](#) [M64Z501KB40](#)
[CW001R5000JS73](#) [CW0055R000JE12](#) [CW0056K800JB12](#) [CW0106K000JE73](#) [672D826H075EK5C](#) [CWR06JC105KC](#) [CWR06NC475JC](#)
[MAL219699001E3](#) [MCRL007035R00JHB00](#) [92MT80KPBF](#) [PTF56100K00QYEK](#) [PTN0805H1502BBTR1K](#) [RCWL1210R130JNEA](#)
[RH005220R0FE02](#) [RH005330R0FC02](#) [RH010R0500FC02](#) [132B20103](#) [RH1007R000FJ01](#)