
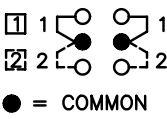
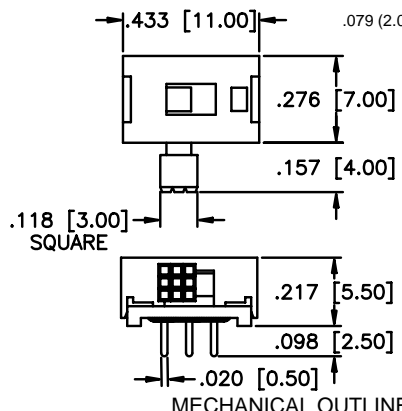
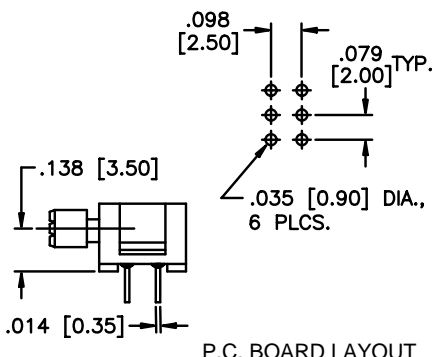

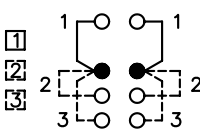
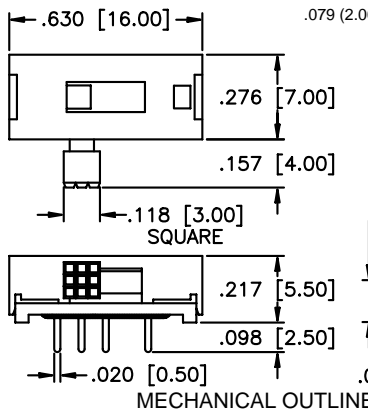
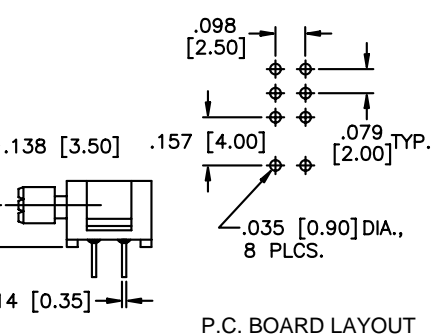

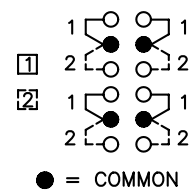
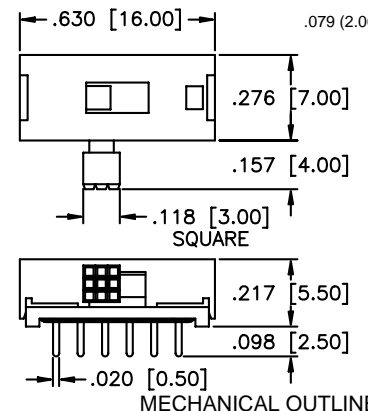
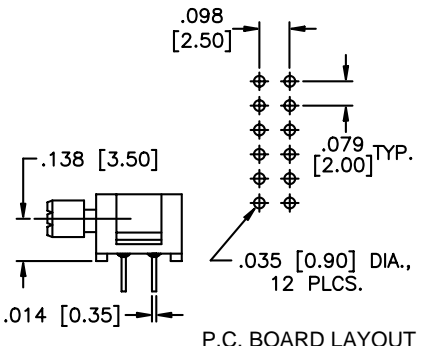


# MMS Series

## Microminiature Slide Switches

SPECIFICATIONS SUBJECT TO CHANGE WITHOUT NOTICE


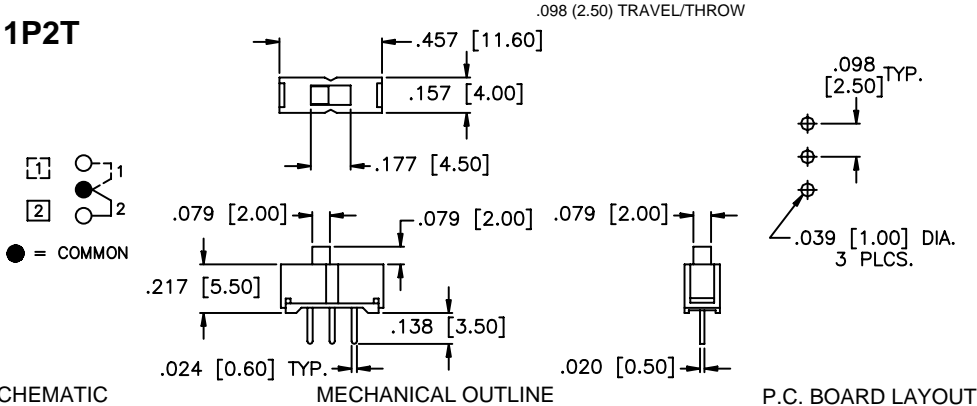

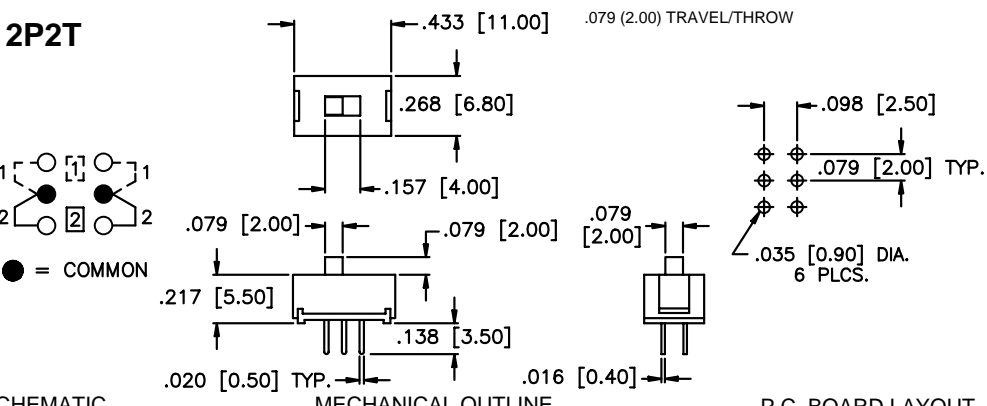

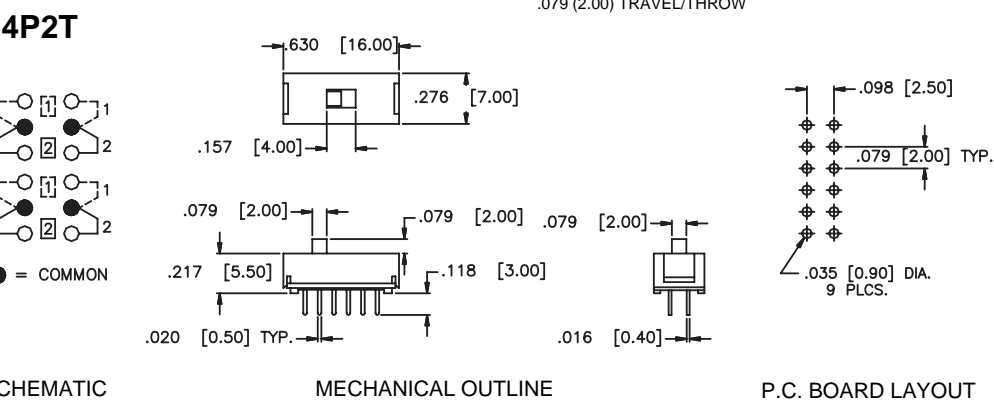

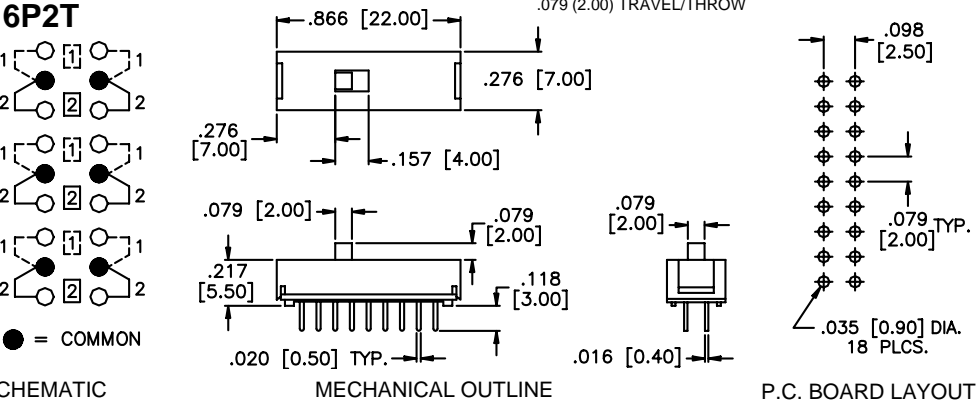
SPECIFICATIONS	FEATURES
<p><b>Contact ratings:</b> 300 mA at 30 VDC</p> <p><b>Initial contact resistance:</b> 25 milliohms max.</p> <p><b>Insulation resistance:</b> 100 megohms min. at 500 VDC</p> <p><b>Dielectric strength:</b> 500 volts RMS for 1 minute</p> <p><b>Electrical life:</b> 10,000 cycles min.</p> <p><b>Operating temperature range:</b> -20°C to +70°C</p> <p><b>Solder heat resistance:</b> 255°C max. for 5 seconds max.</p> <p><b>Washing not recommended</b></p>	<ul style="list-style-type: none"> <li><b>Bifurcated wiping contact design.</b></li> <li><b>Low Profile.</b></li> <li><b>Epoxy sealed terminals.</b></li> <li><b>Cosmetic molded case.</b></li> </ul>
MATERIALS	
<p><b>Contacts &amp; terminals:</b> Silver plated</p> <p><b>Case:</b> Polyacetal</p> <p><b>Actuator:</b> PBT                      <b>Base:</b> Glass filled PBT</p> <p><b>Terminal seal:</b> Epoxy or phenol resin</p>	

MODEL NO.			
<b>MMS22R</b>			
 <p>RIGHT ANGLE ACTUATOR</p>	<p><b>2P2T</b></p>  <p>● = COMMON</p>	 <p>MECHANICAL OUTLINE</p>	 <p>P.C. BOARD LAYOUT</p>
MODEL NO.			
<b>MMS23R</b>			
 <p>RIGHT ANGLE ACTUATOR</p>	<p><b>2P3T</b></p>  <p>● = COMMON</p>	 <p>MECHANICAL OUTLINE</p>	 <p>P.C. BOARD LAYOUT</p>
MODEL NO.			
<b>MMS42R</b>			
 <p>RIGHT ANGLE ACTUATOR</p>	<p><b>4P2T</b></p>  <p>● = COMMON</p>	 <p>MECHANICAL OUTLINE</p>	 <p>P.C. BOARD LAYOUT</p>

# MMS Series

## Microminiature Slide Switches

SPECIFICATIONS SUBJECT TO CHANGE WITHOUT NOTICE

<p><b>MODEL NO.</b></p> <p><b>MMS1208</b></p>  <p>VERTICAL ACTUATOR</p>	<p><b>1P2T</b> <span style="float: right;">.098 (2.50) TRAVEL/THROW</span></p>  <p>SCHEMATIC      MECHANICAL OUTLINE      P.C. BOARD LAYOUT</p>
<p><b>MODEL NO.</b></p> <p><b>MMS2214</b></p>  <p>VERTICAL ACTUATOR</p>	<p><b>2P2T</b> <span style="float: right;">.079 (2.00) TRAVEL/THROW</span></p>  <p>SCHEMATIC      MECHANICAL OUTLINE      P.C. BOARD LAYOUT</p>
<p><b>MODEL NO.</b></p> <p><b>MMS42</b></p>  <p>VERTICAL ACTUATOR</p>	<p><b>4P2T</b> <span style="float: right;">.079 (2.00) TRAVEL/THROW</span></p>  <p>SCHEMATIC      MECHANICAL OUTLINE      P.C. BOARD LAYOUT</p>
<p><b>MODEL NO.</b></p> <p><b>MMS6202</b></p>  <p>VERTICAL ACTUATOR</p>	<p><b>6P2T</b> <span style="float: right;">.079 (2.00) TRAVEL/THROW</span></p>  <p>SCHEMATIC      MECHANICAL OUTLINE      P.C. BOARD LAYOUT</p>

## X-ON Electronics

Largest Supplier of Electrical and Electronic Components

*Click to view similar products for [Slide Potentiometers](#) category:*

*Click to view products by [Apem](#) manufacturer:*

Other Similar products are found below :

[M22](#) [MHS133K](#) [MSS12A](#) [MSSA22](#) [M42A](#) [MSS42G](#) [SS-4928](#) [RSA0K11A901L](#) [SLB124145](#) [SLB1340R45](#) [RA6020F-10-20D1-B50K](#)  
[RA4520F-10-20D1-B50K](#) [TSS11AGPC](#) [X22205CAAF](#) [448XC2103BDN](#) [X22205A-437W](#) [T22205BAAE](#) [SS-22J08-G5](#) [X22205AAAL](#)  
[K22208EAAG](#) [PS15-10PC1BR10K](#) [1101M1S3ZQI2](#) [1201M1S1ZBE2](#) [1101M2S4AGE2](#) [1101M2S6ABE2](#) [1201M1S3ZBE2](#) [EVA-](#)  
[JQKR15Y14](#) [EVA-NADR15A14](#) [EVA-NADR15D14](#) [EVA-NE4R15A14](#) [EVB-NADR15Y14](#) [ASE1D](#) [ASE1E](#) [ASE2D](#) [MFP113D](#) [MFP130](#)  
[MFP1323](#) [MFP1424](#) [MFP161D](#) [MFP2220R](#) [MFP231P](#) [MFP261N](#) [MMP1010DRA1](#) [MMP131](#) [L202021MS02Q](#) [MFP120](#) [MFP 130 R](#)  
[MFP1323R](#) [MFP140](#) [MFP140-R](#)