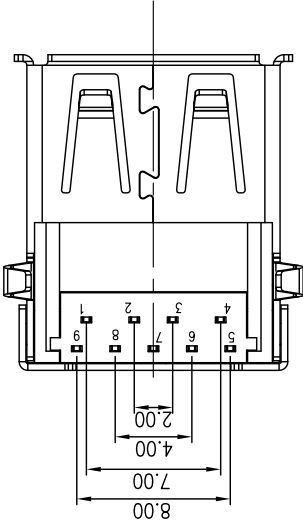
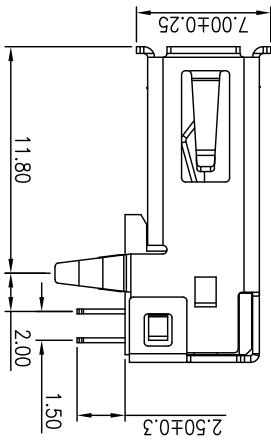
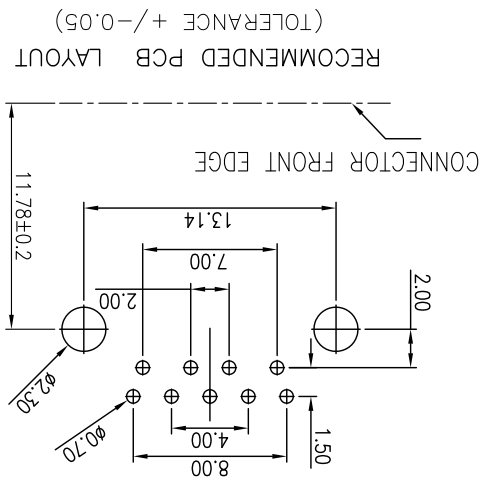
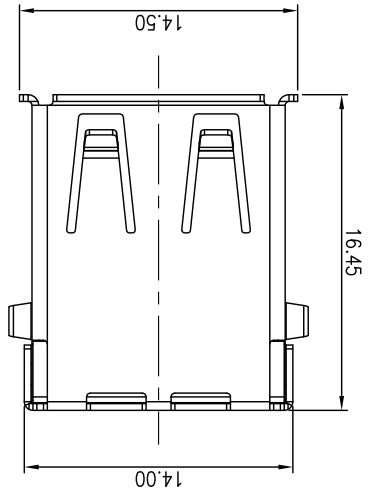
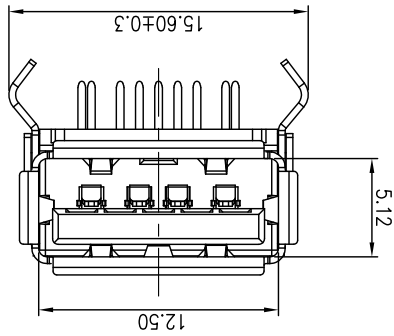


ITEM	PART NAME	MATERIAL	FINISH
1	HOUSING	PBT	BLUE
2	TERMINAL	COPPER ALLOY	GLOD PLATED ON CONTACT AREA
3	SHELL	COPPER ALLOY	NICKEL PLATED
4	HOUSING COVER	PBT	BLUE



RECOMMENDED PCB LAYOUT

(TOLERANCE +/-0.05)

CONNECTOR FRONT EDGE

TOLERANCE (mm)	APPROVALS	DATE	TITLE
X.XX ±0.35	Stephane	30/Nov/2010	USB 3.0 A F R/A Dip
X.XX ±0.25	Rob	30/Nov/2010	
X.XX ±0.15	Rob	30/Nov/2010	

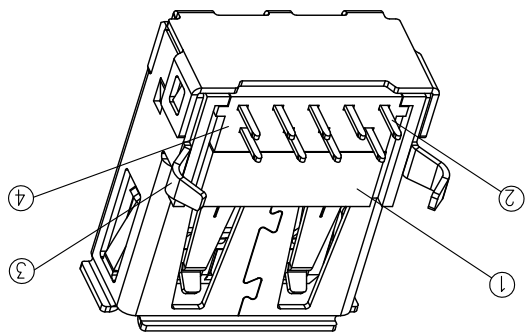
UNLESS OTHERWISE SPECIFIED	UNIT :	SIZE :
	mm	A4

REV.	REV.
A	TUEA9F2DXY

Ordering Information
TUEA9F2DXY

Plating
1:15u" gold
3:30u" gold

- NOTES:
- 1.MATERIAL: HOUSING:PBT,UL94V-0 COLOR:BLUE
 - 2.PLATING: SHELL:COPPER ALLOY
 - 3.ELECTRICAL REQUIREMENTS: TERMINAL:COPPER ALLOY
 - 4.MECHANICAL REQUIREMENTS: INSULATION RESISTANCE:100MOHM MAX CONTACT RESISTANCE:30MOHM MAX (PIN1 AND PIN4 PIN7 OF THE USB3.0), 0.25AMP(OTHERS)
- SHELL:NICKEL PLATING OVER ALL
NICKEL UNDERPLATING OVER ALL
TIN PLATING ON SOLDERTAIL.
TERMINAL:GOLD PLATING ON CONTACT AREA,
2.PLATING: SHELL:COPPER ALLOY
- CONTACT CURRENT RATING:1.8AMP
(PIN1 AND PIN4 PIN7 OF THE USB3.0),
0.25AMP(OTHERS)
- INSULATION RESISTANCE:100MOHM MAX
CONTACT RESISTANCE:30MOHM MAX
INSULATION REQUIREMENTS:
INSERTION FORCE:35N MAX
EXTRACTION FORCE:8N MIN
OPERATING TEMPERATURE:-55°C~85°C.



X-ON Electronics

Largest Supplier of Electrical and Electronic Components

Click to view similar products for [USB Cables / IEEE 1394 Cables](#) category:

Click to view products by [Amphenol](#) manufacturer:

Other Similar products are found below :

[68768-0173](#) [FNY-W6003-01](#) [88764-0800](#) [13805532](#) [148700-1](#) [17-200621](#) [17-250051P](#) [954](#) [AC102012-2](#) [IP-USB1\(C10\)S-RW](#)
[CABLE/RTP/USB/DT](#) [0847290003](#) [10115240-12200LF](#) [RS232-GTD](#) [USBFTVX2SA2N03A](#) [USBFTV2SA2N03A](#) [1689404-1](#) [FTP-](#)
[629Y401](#) [FTP-628Y402](#) [943301-001](#) [FNY-W6022](#) [FNY-W6003-03](#) [1310-1015-05](#) [1310-1019-04](#) [0887283402](#) [UA-30AMFM-SL7B02](#) [UA-](#)
[30AMFM-SL7B01](#) [UA-30AFM-LD7B03](#) [UA-30AMFM-SL7B03](#) [USBAPSCC7202A](#) [UES-1001A160](#) [UES-1003A160](#)
[USBFTVX7SA2N20A](#) [USBFTVX2SA2N20A](#) [USBFTV2PEMSA2N10A](#) [FTP-629Y602](#) [USBCAMCM100](#) [USB A/F*2 to 2.54 2*5P-SH](#)
[L=400mm](#) [EP-CBUSB10P2FLT](#) [1310-1033-01](#) [1310-1037-04](#) [ASR-USB](#) [68784-0075](#) [17-241361](#) [17-230471](#) [217B-BC02](#) [USB-29](#) [19800-](#)
[010500-200-RS](#) [USB+MINI DIN 6P WITH BKT](#) [088738-8100](#)