



F&F Filipowski sp. j.
ul. Konstytucyjna 79/81
95-200 Pabianice POLAND
tel/fax 48 42 2270971
e-mail: fif@fif.com.pl

BIS-414 230V

ELECTRONIC BI-STABLE PULSE RELAY
sequene- type



5 9 0 8 3 1 2 1 5 9 3 1 3 3

www.fif.com.pl

F&F products are covered by a 24 months warranty from date of purchase

PURPOSE

Electronic bi-stable pulse relays BIS-414 230V enables the user to actuate lighting or other devices from various locations by means of control buttons in parallel connection. The relay have got two switch ON section and enable to switch ON in accordance sequence two circuits of lights or diferent receiver from many places by pushbuttons connected in parallel. Switching the relay into another cycle phase is made by another current pulse triggered by pressing any bell push connected to the relay.

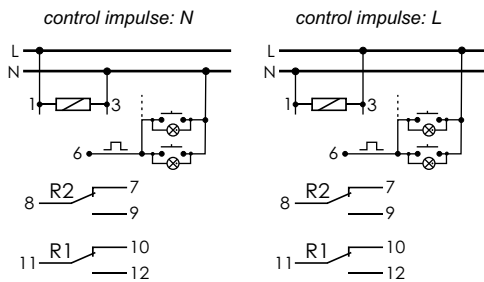
ATTENTION!

The BIS-414 230V is compatible with bell pushes equipped with fluorescent lamps.

TECHNICAL DATA

supply	230V AC
current load	2x(<8A)
controlling current	<1mA
activation delay	0,1+0,2sec
sygnalling of supply	green LED
sygnalling of activation	2xred LED
power consumption	0,8W
working temperature	-25+50°C
connection	screw terminals 2,5mm ²
dimensions	1 module (18mm)
fixing	on the rail TH-35

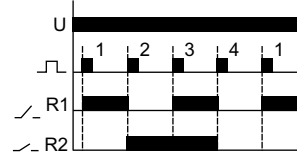
WIRING DIAGRAM



FUNCTIONING

The activation of relay is to sign by shine of green LED - U. The receiver actuated by means of a current pulse triggered by pushing any bell push connected to the relay. Switch ON the joint R1 and R2 is to sign by shine of red LED - R1 and R2.

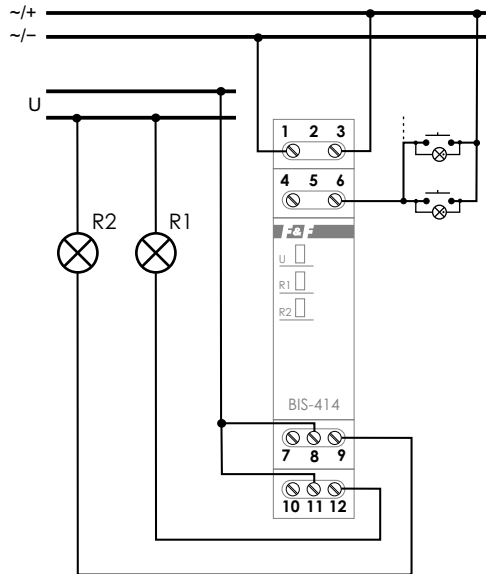
PULSE	STATE OF FUNCTIONING
1	ACTIVATED ONLY SECTION R1
2	ACTIVATED ONLY SECTION R2
3	ACTIVATED SECTION R1 AND R2
4	DEACTIVATED SECTION R1 AND R2



ASSEMBLY

1. Turn OFF the power.
2. Put on the relay on the rail in the switchgear box.
3. Connect the power cable to joint 1-3 accordance with choosen control option (control impulse L or N).
4. The timers switching which are connect in parallel connect to joint 6 and to cable which is connect to joint 3.
5. The activated receiver of R1 section connect in series to joint 11-12. The activated receiver of R2 section connect in series to joint 8-9.

Example connection the relay with two section switching ON lights in control configuration "zero" (N).



A090615

X-ON Electronics

Largest Supplier of Electrical and Electronic Components

Click to view similar products for [General Purpose Relays](#) category:

Click to view products by [F&F](#) manufacturer:

Other Similar products are found below :

[APF30318](#) [JVN1AF-4.5V-F](#) [PCN-105D3MHZ](#) [5JO-10000S-SIL](#) [5JO-1000CD-SIL](#) [5JO-400CD-SIL](#) [LY2S-AC220/240](#) [LYQ20DC12](#)
[6031007G](#) [6131406HQ](#) [6-1393099-3](#) [6-1393099-8](#) [6-1393122-4](#) [6-1393123-2](#) [6-1393767-1](#) [6-1393843-7](#) [6-1415012-1](#) [6-1419102-2](#) [6-](#)
[1423698-4](#) [6-1608051-6](#) [6-1608067-0](#) [6-1616170-6](#) [6-1616248-2](#) [6-1616282-3](#) [6-1616348-2](#) [6-1616350-1](#) [6-1616350-8](#) [6-1616358-7](#) [6-](#)
[1616359-9](#) [6-1616360-9](#) [6-1616931-6](#) [6-1617039-1](#) [6-1617052-1](#) [6-1617090-2](#) [6-1617090-5](#) [6-1617347-5](#) [6-1617353-3](#) [6-1617801-8](#) [6-](#)
[1617802-2](#) [6-1618107-9](#) [6-1618248-4](#) [M83536/1-027M](#) [CX-4014](#) [MAHC-5494](#) [MAVCD-5419-6](#) [703XCX-120A](#) [7-1393100-5](#) [7-1393111-7](#)
[7-1393144-5](#) [7-1393767-8](#)