

**ELECTRONIC BI-STABLE PULSE RELAY**  
 sequence-type  
 1-function

**BIS-414**  
**24V**

**WARRANTY.** The F&F products are covered by a warranty of the 24 months from the date of purchase. Effective only with proof of purchase. Contact your dealer or directly with us. More information how to make a complaint can be found on the website: [www.fif.com.pl/reklamacje](http://www.fif.com.pl/reklamacje)



Do not dispose of this device in the trash along with other waste! According to the Law on Waste, electro coming from households free of charge and can give any amount to up to that end point of collection, as well as to store the occasion of the purchase of new equipment (in accordance with the principle of old-for-new, regardless of brand). Electro thrown in the trash or abandoned in nature, pose a threat to the environment and human health.



**Purpose**

Electronic bi-stable pulse relays BIS-414 24V enables the user to actuate lighting or other devices from various locations by means of control buttons in parallel connection. The relay have got two switch ON section and enable to switch ON in accordance sequence two circuits of lights or different receiver from many places by pushbuttons connected in parallel.

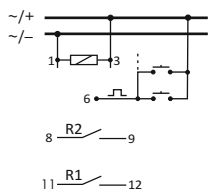
**Functioning**

Relay power is indicated by a green LED U. Sequential relay has two separate outputs: R1 and R2. Contact state (open/closed) is forced sequentially in accordance with a predetermined program. State of contact is switched by a subsequent impulse from the control key. Switching of R1 and R2 contacts is indicated by the corresponding R1 and R2 red LEDs. In case of a power failure, the contact state is reset. When the supply voltage returns, relay starts with a sequence number 0.

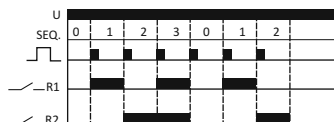
**Technical data**

power supply	9±30V AC/DC
contact / current load (AC-1)	separated 2x(1xNO) / <16A
control pulse	9±30V / <10mA
delay of response	0.1±0.2s
power indication	green LED
signalling activation	2x red LED
power consumption	
standby	0.15W
on	0.9W
working temperature	-25±50°C
terminal	2.5mm <sup>2</sup> screw terminals
tightening torque	0.4Nm
dimensions	1 module (18mm)
mounting	on TH-35 rail
protection level	IP20

**Wiring diagram**



PULSE	STATE OF FUNCTIONING
0	DEACTIVATED SECTION R1 AND R2
1	ACTIVATED ONLY SECTION R1
2	ACTIVATED ONLY SECTION R2
3	ACTIVATED SECTION R1 AND R2



Pressing the button subsequently repeats sequences 0-3.

**Assembly**

1. Turn OFF the power.
2. Put on the relay on the rail in the switchgear box.
3. Connect the power cable to contacts 1-3, [for DC voltage (+) to contact 3, (-) to contact 1].
4. The timers switching which are connect in parallel connect to contact 6 and to cable +/- .
5. Powered receiver R1 section connected in series to terminals 11-12. Powered receiver R2 section connected in series to terminals 8-9.

**Note!**

BIS-414 24V not compatible with bell pushes equipped with fluorescent lamps.

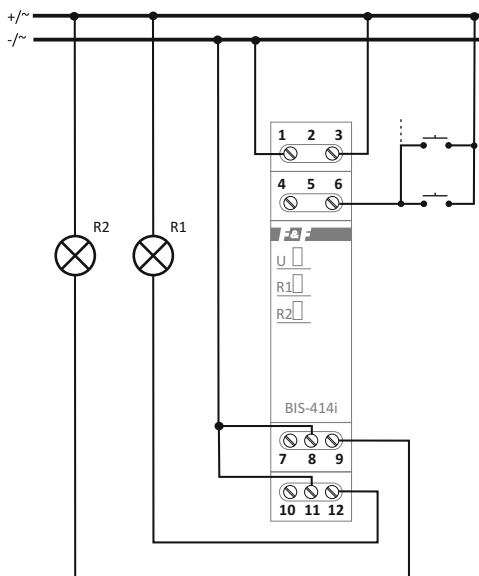


**Table of power**

incandescent	halogen	fluorescent	energy saving	LED
2000W	1250W	1000W	500W	250W

The above data are indicative and will heavily depend on the design of a specific receiver (that is especially important for LED bulbs, energy-saving lamps, electronic transformers and pulse power supply units), switching frequency and operating conditions. For more information visit [www.fif.com.pl](http://www.fif.com.pl).

**Installation example relay with two sections switching light 24V**



## X-ON Electronics

Largest Supplier of Electrical and Electronic Components

*Click to view similar products for [General Purpose Relays](#) category:*

*Click to view products by [F&F](#) manufacturer:*

Other Similar products are found below :

[APF30318](#) [JVN1AF-4.5V-F](#) [PCN-105D3MHZ](#) [5JO-10000S-SIL](#) [5JO-1000CD-SIL](#) [5JO-400CD-SIL](#) [LY2S-AC220/240](#) [LYQ20DC12](#)  
[6031007G](#) [6131406HQ](#) [6-1393099-8](#) [6-1393122-4](#) [6-1393123-2](#) [6-1393767-1](#) [6-1393843-7](#) [6-1415012-1](#) [6-1419102-2](#) [6-1423698-4](#) [6-](#)  
[1608051-6](#) [6-1608067-0](#) [6-1616170-6](#) [6-1616248-2](#) [6-1616282-3](#) [6-1616348-2](#) [6-1616350-1](#) [6-1616350-8](#) [6-1616358-7](#) [6-1616359-9](#) [6-](#)  
[1616360-9](#) [6-1616931-6](#) [6-1617039-1](#) [6-1617052-1](#) [6-1617090-2](#) [6-1617090-5](#) [6-1617347-5](#) [6-1617353-3](#) [6-1617801-8](#) [6-1618107-9](#) [6-](#)  
[1618248-4](#) [M83536/1-027M](#) [M83725/1-005](#) [CX-4014](#) [MAHC-5494](#) [MAVCD-5419-6](#) [703XCX-120A](#) [7-1393100-5](#) [7-1393111-7](#) [7-](#)  
[1393144-5](#) [7-1393767-8](#) [7-1414968-8](#)