

# GMA

## 5 mm x 20 mm Fast-acting glass tube fuses



### Agency information

- UL Listed, Guide JDYX, File E19180, 63mA-6A
- UL Recognized, Guide JDYX2, File E19180, 7-15A
- CSA Certified, Class 1422-01, File 53787, 63mA-6A
- PSE Approval, 1A-15A

### Ordering

- Specify packaging, product, and option code
- Ratings above 6.3A have a 0.8 mm diameter lead
- With TR2 packaging code, lead wire length is 19.05 mm

### Product features

- Fast-acting, low breaking capacity
- Optional axial leads available
- 5 x 20mm physical size
- Glass tube, silver-plated (63mA-315mA) and nickel-plated (500mA-15A) brass endcap construction
- Designed to UL/CSA 248-14

| Electrical Characteristics |                 |                    |
|----------------------------|-----------------|--------------------|
| Rated Current              | % of Amp Rating | Opening Time       |
| 63mA - 15A                 | 100%            | None               |
|                            | 135%            | 60 minutes maximum |
|                            | 200%            | 2 minutes maximum  |

| Product Code | Amp Rating | Voltage Rating Vac | Interrupting Rating (amps)* |        | Typical DC Cold Resistance (Ω)** | Typical Pre-Arc I <sup>2</sup> t <sup>†</sup> | Maximum Voltage Drop (mV)‡ |
|--------------|------------|--------------------|-----------------------------|--------|----------------------------------|---|----------------------------|
|              |            |                    | 250Vac                      | 125Vac |                                  |   |                            |
|              |            |                    | GMA-63-R                    | 63mA   |                                  |   |                            |
| GMA-100-R    | 100mA      | 250                | 35                          | 10,000 | 7.840                            | 0.0001  | 4300                       |
| GMA-125-R    | 125mA      | 250                | 35                          | 10,000 | 4.895                            | 0.0024  | 2600                       |
| GMA-200-R    | 200mA      | 250                | 35                          | 10,000 | 2.500                            | 0.001   | 3400                       |
| GMA-250-R    | 250mA      | 250                | 35                          | 10,000 | 1.735                            | 0.018   | 2200                       |
| GMA-300-R    | 300mA      | 250                | 35                          | 10,000 | 0.906                            | 0.019   | 470                        |
| GMA-315-R    | 315mA      | 250                | 35                          | 10,000 | 0.839                            | 0.019   | 450                        |
| GMA-500-R    | 500mA      | 250                | 35                          | 10,000 | 0.454                            | 0.15  | 230                        |
| GMA-600-R    | 600mA      | 250                | 35                          | 10,000 | 0.256                            | 0.32  | 200                        |
| GMA-750-R    | 750mA      | 250                | 35                          | 10,000 | 0.186                            | 0.47  | 200                        |
| GMA-800-R    | 800mA      | 250                | 35                          | 10,000 | 0.170                            | 0.70  | 180                        |
| GMA-1-R      | 1          | 250                | 35                          | 10,000 | 0.163                            | 0.48  | 300                        |
| GMA-1.25-R   | 1.25       | 250                | 100                         | 10,000 | 0.122                            | 0.84  | 290                        |
| GMA-1.5-R    | 1.5        | 250                | 100                         | 10,000 | 0.090                            | 1.6   | 270                        |
| GMA-1.6-R    | 1.6        | 250                | 100                         | 10,000 | 0.080                            | 2.0   | 260                        |
| GMA-2-R      | 2          | 250                | 100                         | 10,000 | 0.066                            | 3.1   | 250                        |
| GMA-2.5-R    | 2.5        | 250                | 100                         | 10,000 | 0.046                            | 4.9   | 240                        |
| GMA-3-R      | 3          | 250                | 100                         | 10,000 | 0.039                            | 8.8   | 215                        |
| GMA-3.15-R   | 3.15       | 125                | -                           | 10,000 | 0.036                            | 9.7   | 210                        |
| GMA-3.5-R    | 3.5        | 125                | -                           | 10,000 | 0.030                            | 13  | 210                        |
| GMA-4-R      | 4          | 125                | -                           | 10,000 | 0.026                            | 19  | 205                        |
| GMA-5-R      | 5          | 125                | -                           | 10,000 | 0.021                            | 29  | 200                        |
| GMA-6-R      | 6          | 125                | -                           | 10,000 | 0.017                            | 45  | 180                        |
| GMA-7-R      | 7          | 125                | -                           | 200    | 0.012                            | 150   | 110                        |
| GMA-8-R      | 8          | 125                | -                           | 200    | 0.009                            | 280   | 110                        |
| GMA-10-R     | 10         | 125                | -                           | 200    | 0.006                            | 280   | 110                        |
| GMA-15-R     | 15         | 125                | -                           | 150    | 0.004                            | 950   | 100                        |

\* Interrupting ratings: Interrupting ratings for 63mA - 6A were measured at 70% - 80% power factor on AC. The interrupting ratings for 7A - 15A were measured at 100% power factor on AC.

\*\* DC Cold Resistance (Measured at <10% of rated current)

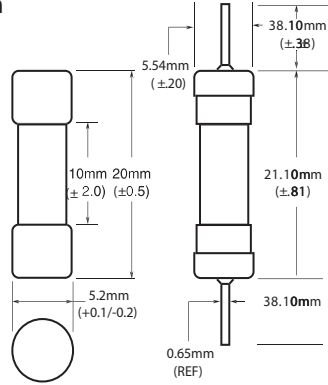
† Typical Pre-Arching I<sup>2</sup>t (I<sup>2</sup>t was measured at listed interrupting rating and rated voltage)

‡ Maximum Voltage drop (Voltage drop was measured at 20°C ambient temperature at rated current)

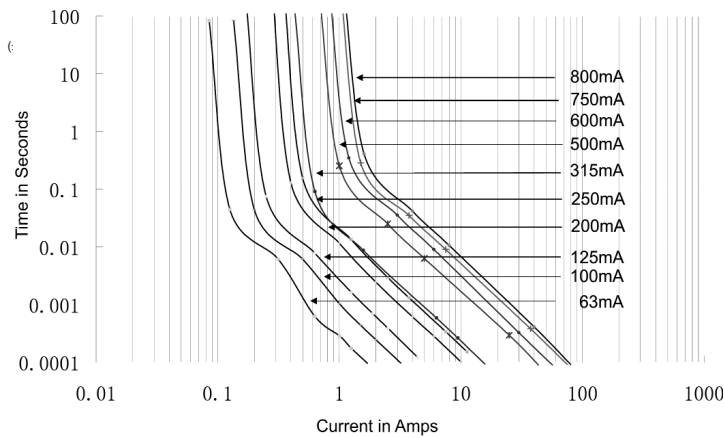


Powering Business Worldwide

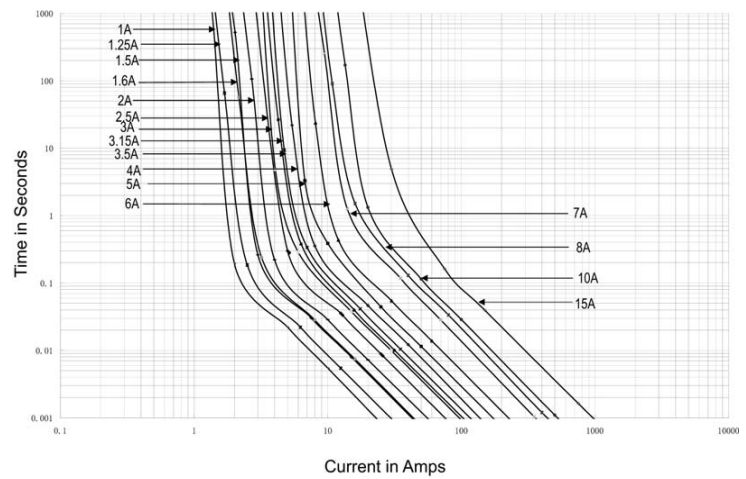
**Dimensions - mm**



**Time-Current Curve – GMA-R 63mA-800mA**



**Time-Current Curve – GMA-R 1-15A**



| Packaging Code |  |
|----------------|--|
| Packaging Code | Description  |
| BK             | 100 fuses packed into a cardboard carton                         |
| BK1            | 1000 fuses packed into a poly bag                                |
| TR2            | 1500 fuses packed into tape on a reel (19.05mm lead wire length) |

| Option Code |  |
|-------------|--|
| Option Code | Description  |
| V           | Axial leads - copper tinned wire with nickel-plated brass overcaps |

Life Support Policy: Eaton does not authorize the use of any of its products for use in life support devices or systems without the express written approval of an officer of the Company. Life support systems are devices which support or sustain life, and whose failure to perform, when properly used in accordance with instructions for use provided in the labeling, can be reasonably expected to result in significant injury to the user.

Eaton reserves the right, without notice, to change design or construction of any products and to discontinue or limit distribution of any products. Eaton also reserves the right to change or update, without notice, any technical information contained in this bulletin.

**Eaton**  
Electronics Division  
1000 Eaton Boulevard  
Cleveland, OH 44122  
United States  
www.eaton.com/electronics

© 2017 Eaton  
All Rights Reserved  
Printed in USA  
Publication No. 2017 BU-SB091174  
May 2017

Eaton is a registered trademark.

All other trademarks are property of their respective owners.

## X-ON Electronics

Largest Supplier of Electrical and Electronic Components

*Click to view similar products for [Cartridge Fuses](#) category:*

*Click to view products by [Eaton](#) manufacturer:*

Other Similar products are found below :

[MBO-20](#) [MDA-V-1/100](#) [12C10X38GI](#) [AGA-V-2-1/2](#) [AGC-V-3-12-R](#) [AGY-50](#) [MSL-3](#) [MSL-4](#) [MSL-5](#) [BK1/C436-2A](#) [BK1-GMA-1-6-R](#)  
[BK1-GMA-200-R](#) [BK1GMA-6-R](#) [BK1/GMC-100-R](#) [BK1/GMC-1.5-R](#) [BK1-GMC-2-5-R](#) [BK1GMD-4-R](#) [BK1S500-250-R](#) [BK1S500-32-R](#)  
[BK1-S500-4-R](#) [BK1S500-5-R](#) [BK1-S505-1-R](#) [BK1-S506-2-R](#) [BK1-S506-3-15-R](#) [BK1/S506-63-R](#) [BK/ABC-5RX](#) [BK/AGW-B-4](#) [BK/AVX-](#)  
[1/4](#) [BK/C515S-250-R](#) [BK/MBO-20](#) [BK/MBO-8](#) [BK/MDM-3/4](#) [BK-MDQ-4](#) [BK/S505-V-2.5A](#) [BK/TDC120-15](#) [BK/TDC120-20](#)  
[BK/TDC122-45](#) [BP/MDL-7](#) [1C10X38AM](#) [S505-V-500MA](#) [SEF-1697-1-002](#) [AGA-V-7-1/2](#) [AGC-15WX](#) [AGC-2-1-2-R](#) [20.0M6.3X32F](#)  
[20C8X32GI](#) [GMC-50-R](#) [361.250](#) [MBO-8](#) [TDC121-30](#)