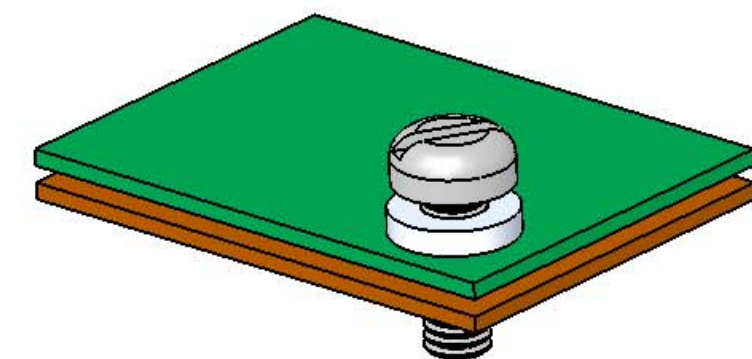
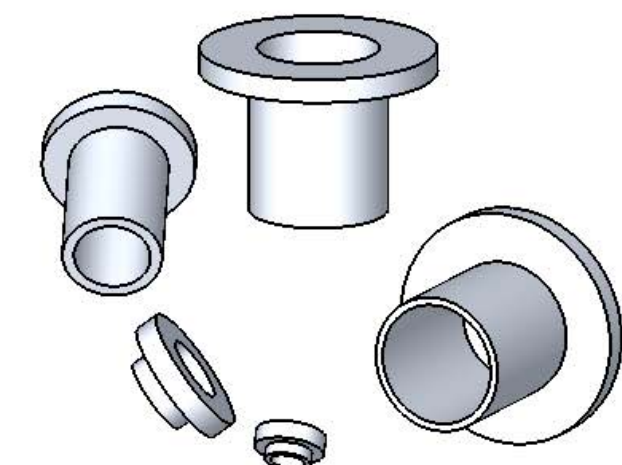
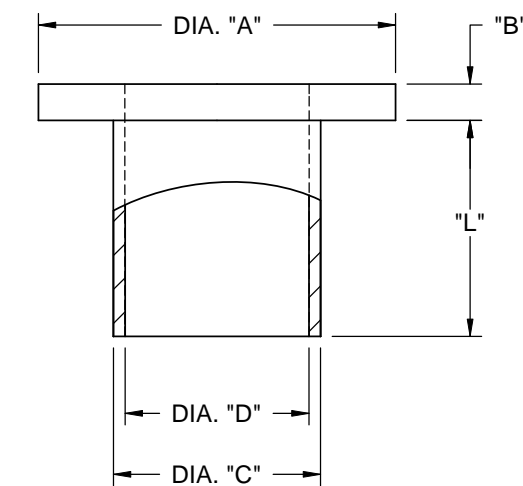
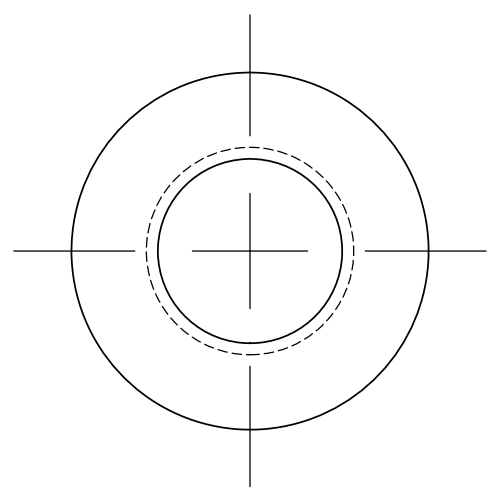


PART NO.	SCREW SIZE	"L" ± .015 (± 0.38)	"A" ± .007 (± 0.18)	"B" ± .007 (± 0.18)	"C" ± .005 (± 0.13)	"D" ± .005 (± 0.13)	MATERIAL				
MNI #2-2	#2 (M2.2)	.031 (0.8)	.181 (4.6)	.047 (1.2)	.120 (3.0)	.090 (2.3)	RMS-48				
MNI #2-4		.063 (1.6)					RMS-01				
MNI #4-2	#4 (M3)	.031 (0.8)	.235 (6.0)		.145 (3.7)	.115 (2.9)	RMS-01				
MNI #4-3		.046 (1.2)					RMS-48				
MNI #4-4		.063 (1.6)			RMS-01						
MNI #4-5		.084 (2.1)			RMS-48						
MNI #4-6		.093 (2.4)			RMS-01						
MNI #4-8		.125 (3.2)			RMS-48						
MNI #4-10		.156 (4.0)			RMS-01						
MNI #4-12		.187 (4.8)			RMS-48						
MNI #4-16		.250 (6.4)			RMS-01						
MNI #4-24		.375 (9.5)			RMS-48						
MNI #5-3	#5 (M3)	.051 (1.3)	.370 (9.4)	.236 (6.0)	.128 (3.3)	RMS-48					
MNI #6-2	#6 (M3.5)	.031 (0.8)	.290 (7.4)	.063 (1.6)	.170 (4.3)	.140 (3.6)	RMS-01				
MNI #6-4		.063 (1.6)					RMS-48				
MNI #6-6		.093 (2.4)					RMS-01				
MNI #6-8		.125 (3.2)					RMS-48				
MNI #6-12		.187 (4.7)					RMS-01				
MNI #6-16		.250 (6.4)					RMS-48				
MNI #6-24		.375 (9.5)					RMS-01				
MNI #6-32		.500 (12.7)					RMS-48				
MNI #8-2	#8 (M4)	.031 (0.8)	.344 (8.7)	.063 (1.6)	.205 (5.2)	.173 (4.4)	RMS-01				
MNI #8-4		.063 (1.6)					RMS-48				
MNI #8-6		.093 (2.4)					RMS-01				
MNI #8-8		.125 (3.2)					RMS-48				
MNI #8-12		.187 (4.7)					RMS-01				
MNI #8-16		.250 (6.4)					RMS-48				
MNI #8-24		.375 (9.5)					RMS-01				
MNI #8-32		.500 (12.7)					RMS-48				
MNI #10-4	#10(M5)	.063 (1.6)	.399 (10.1)	.063 (1.6)	.260 (6.6)	.200 (5.1)	RMS-01				
MNI #10-6		.093 (2.4)					RMS-48				
MNI #10-8		.125 (3.2)					RMS-01				
MNI #10-12		.187 (4.7)					RMS-48				
MNI #10-16		.250 (6.4)					RMS-01				
MNI #10-24		.375 (9.5)					RMS-48				
MNI #10-32		.500 (12.7)					RMS-01				
MNI 1/4-6		1/4 (M6)					.093 (2.4)	.513 (13.0)	.065 (1.7)	.312 (8.0)	.260 (6.6)
MNI 1/4-16	.250 (6.4)		RMS-01								
MNI 1/4-24	.375 (9.5)		RMS-48								
MNI 1/4-32	.500 (12.7)		RMS-01								
MNI 5/16-6	5/16 (M8)	.093 (2.4)	.620 (15.7)	.063 (1.6)	.360 (9.1)	.320 (8.1)	RMS-48				
MNI 5/16-16		.250 (6.4)					RMS-01				
MNI M2.5-1.3	M2.5	.051 (1.3)	.248 (6.3)	.047 (1.2)	.138 (3.5)	.114 (2.9)	RMS-01				
MNI M2.5-3.6		.142 (3.6)		.059 (1.5)		.110 (2.8)	RMS-48				
MNI M3-1.0	M3	.039 (1.0)	.280 (7.1)	.039 (1.0)	.150 (3.8)	.122 (3.1)	RMS-01				
MNI M3-2.5		.098 (2.5)					RMS-48				
MNI M3-1.3		.051 (1.3)					.347 (8.8)	.047 (1.2)	.236 (6.0)	.126 (3.2)	RMS-01
MNI M3-3.5		.137 (3.5)					.280 (7.1)	.039 (1.0)	.150 (3.8)	.122 (3.1)	RMS-48



NOTES:  
1. MATERIAL: NYLON 6/6 UL 94 V-2  
2. COLOR: NATURAL

REV.	DESCRIPTION	ENGR.	DATE
O	SEE CO 200130 FOR CHANGES	S.K.	02/18/08
N	SEE CO 200048 FOR CHANGES	SK	10/03/07
M	SEE ECN #1340 FOR CHANGES	SK	06/20/07
L	SEE ECN #977 FOR CHANGES	SK	04/08/05
K	SEE ECN #892 FOR CHANGES	SM	12/14/04
J	SEE ECN #885 FOR CHANGES	SM	12/03/04
I	SEE ECN #861 FOR CHANGES	SM	10/01/04

TITLE: <b>MOLDED NYLON INSULATORS</b>		DWG IN [MM]		FINAL	
CREATED USING SOLIDWORKS	FILE #: MNI	DWN: SM	APP: SM	PART #	
TOLERANCES UNLESS NOTED .XX=±.010 .XXX=±.005 FRAC.=±1/64 ANG.=±1°	SHEET: 1 OF 1	SHEET SIZE: B	DT: 10/01/04	CHKD: SJ	SEE TABLE
RE: <b>RICHCO, INC.</b>	<b>RICHCO, INC.</b> ENG@RICHCO-INC.COM (773) 539-4060		PRINT TYPE <b>CA</b>		

## X-ON Electronics

Largest Supplier of Electrical and Electronic Components

*Click to view similar products for [Standoffs & Spacers](#) category:*

*Click to view products by [Richco](#) manufacturer:*

Other Similar products are found below :

[M0516-3-N](#) [M0518-3-N](#) [M0521-3-N](#) [M0524-3-N](#) [M0532-35-N](#) [M0543-4-AL](#) [M0544-3-N](#) [M0545-3-AL](#) [M0553-3-N](#) [M0564-4-N](#) [M0608-5-SS](#) [M0609-5-SS](#) [M0610-35-AL](#) [M0613-3-N](#) [M0653-35-N](#) [M0654-4-SS](#) [M0655-5-AL](#) [M0660-4-AL](#) [M0660-4-N](#) [M0670-35-N](#) [M0671-5-N](#) [M0671-5-SS](#) [M0722-5-N](#) [M0725-6-N](#) [M0731-4-N](#) [M0904-B-25-AL](#) [M1273-2545-AL](#) [M1273-3005-AL](#) [M1274-3005-AL](#) [M1303-3506-AL](#) [M1307-3506-AL](#) [M1313-3005-N](#) [M1313-4007-AL](#) [M1314-3005-AL](#) [M1314-3005-SS](#) [M1315-3005-SS](#) [M1315-4007-N](#) [M1317-3506-AL](#) [M1317-4007-SS](#) [M1318-3005-SS](#) [M1320-3005-AL](#) [M1320-3005-N](#) [M1321-3005-SS](#) [M1321-4007-AL](#) [M1322-4007-N](#) [M1324-3005-N](#) [M1326-3005-AL](#) [M1326-4007-SS](#) [M1331-4007-SS](#) [M1577-B-4007-B](#)