



<b>DATA SHEET</b>	53015000
<b>SKINTOP® ST / STR</b>	valid from: 07.10.2016

The polyamide based SKINTOP® ST/STR is designed for universal use, above all for functional safety in manufacturing of machines and equipment, in measurement and control technology and automation technology, as well as in the electronic technology and in manufacturing of robots.



#### Components:

Gland body	Polyamide (UL 94/V2)
Cap nut	Polyamide (UL 94/V2)
Sealing ring	CR (ozone- and UV-resistant)
O-Ring (PG36 up to PG48)	NBR (ozone- and UV-resistant)

#### Technical features:

Connecting thread	PG7 up to PG48 acc. to DIN 40430
Functional thread	Multi-start trapezoidal thread
Protection class / NEMA Type Rating	IP68 - 5 bar, test acc. to EN 60529 NEMA Type 1 and Type 12
Strain relief	According to DIN VDE 0619
Temperature range	Dynamic -20 °C up to +100 °C Statically -40 °C up to +100 °C
Colour	RAL 7001, RAL 7035 RAL 9005 (black UV-resistant)
Design	ST: standard STR: with reducing sealing ring (for smaller cable diameters)

#### Other characteristics:

Permanent vibration protection  
Optimal strain relief  
Large variable clamping ranges  
PG36 up to PG48 - with O-ring

#### Approvals:



UL File Nr. E79903

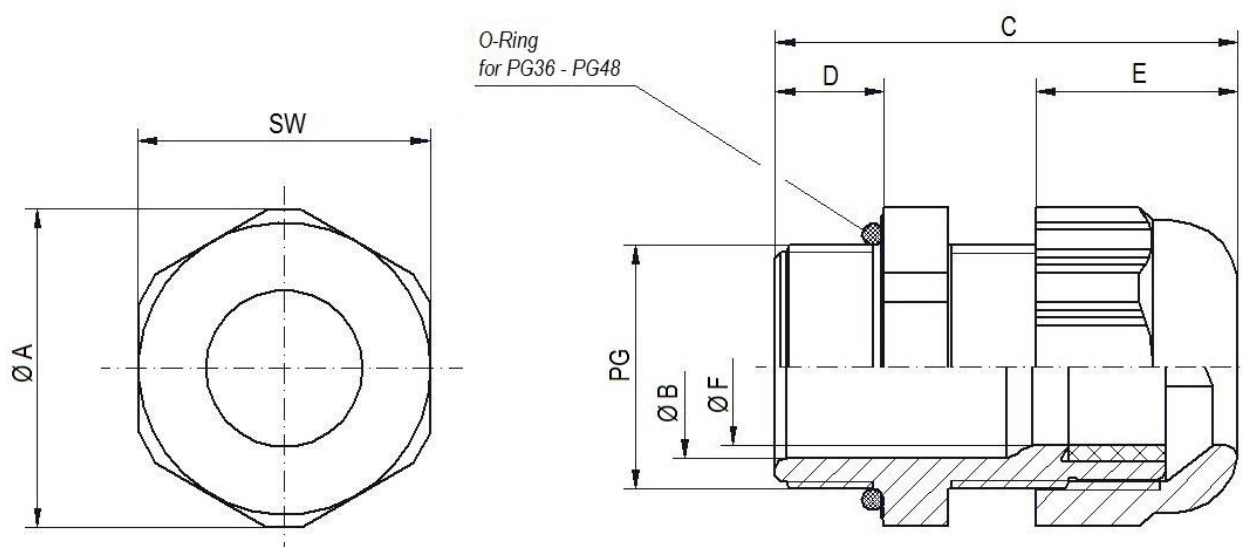
CSA für RAL 9005 und RAL 7001

#### Norm references:



For more information please see our current catalogue.

elaborated by: PDP: M. Wegerer	Document: DB53015000_09EN	Page 1 of 2
-----------------------------------	---------------------------	-------------



### SKINTOP® ST

PG	SW [mm]	Ø A [mm]	Ø B [mm]	C [mm]		D [mm]	E [mm]	Ø F [mm] Clamping range	Article No. RAL 7001	Article No. RAL 7035	Article No. RAL 9005
				Min.	Max.						
PG7	15	16,4	7,3	26	32	7,8	13	2,5 - 6,5	53015000	53018000	53015200
PG9	19	21,1	9,5	28,5	36	8	15,5	3,5 - 8	53015010	53018010	53015210
PG11	22	24,4	13,1	30	38	8	17	4 - 10	53015020	53018020	53015220
PG13,5	24	26,5	14,9	32	41	9	18	6 - 12	53015030	53018030	53015230
PG16	27	29,5	16,8	34,6	44	10	18,6	9 - 14	53015040	53018040	53015240
PG21	33	36,2	21,8	39,5	49	11	22,5	13 - 18	53015050	53018050	53015250
PG29	42	46,3	30	44	56	10,7	26,2	14 - 25	53015060	53018060	53015260
PG36	53	58,8	38,8	51,7	66	13,3	30,7	24 - 32	53015070	53018070	53015270
PG42	60	67	47	54	68	13,4	34	35 - 38	53015080	53018080	53015280
PG48	65	72	53	55	69	14,3	36	39 - 44	53015090	53018090	53015290

### SKINTOP® STR

PG	SW [mm]	Ø A [mm]	Ø B [mm]	C [mm]		D [mm]	E [mm]	Ø F [mm] Clamping range	Article No. RAL 7001	Article No. RAL 7035	Article No. RAL 9005
				Min.	Max.						
PG7	15	16,4	7,3	26	32	7,8	13	1,5 - 5	53015100	53018100	53015300
PG9	19	21,1	9,5	28,5	36	8	15,5	2 - 6	53015110	53018110	53015310
PG11	22	24,4	13,1	30	38	8	17	2 - 7	53015120	53018120	53015320
PG13,5	24	26,5	14,9	32	41	9	18	4 - 9	53015130	53018130	53015330
PG16	27	29,5	16,8	34,6	44	10	18,6	6 - 12	53015140	53018140	53015340
PG21	33	36,2	21,8	39,5	49	11	22,5	9 - 16	53015150	53018150	53015350
PG29	42	46,3	30	44	56	10,7	26,2	11 - 20	53015160	53018160	53015360
PG36	53	58,8	38,8	51,7	66	13,3	30,7	17 - 26	53015170	53018170	53015370
PG42	60	67	47	54	68	13,4	34	22 - 31	53015180	53018180	53015380
PG48	65	72	53	55	69	14,3	36	26 - 35	53015190	53018190	53015390

## X-ON Electronics

Largest Supplier of Electrical and Electronic Components

*Click to view similar products for [Cable Glands, Strain Reliefs & Cord Grips](#) category:*

*Click to view products by [Lapp Kabel](#) manufacturer:*

Other Similar products are found below :

[120-116-1-1-20BP](#) [120-116-1-1-32BE](#) [120-117-40](#) [120-123-14](#) [120-123-16](#) [120-125-16](#) [120-125-16R](#) [120-125-16Y](#) [120-125-24Y](#) [120-125-28](#) [120-125-28R](#) [120-125-32](#) [120-125-32R](#) [120-125-40](#) [120-125-56](#) [120-126-14](#) [120-126-16](#) [120-126-20](#) [120-126-20BL](#) [120-126-20R](#) [120-126-24](#) [120-126-28](#) [120-126-32](#) [120-126-40BL](#) [120-116-1-1-06BP-509](#) [120-116-1-1-06CP](#) [120-116-1-1-16BE](#) [120-116-1-1-28BP](#) [120-123-20](#) [120-123-24](#) [120-123-32](#) [120-125-20](#) [120-125-20Y](#) [120-125-24](#) [120-125-24R](#) [120-125-28Y](#) [120-126-14BL](#) [120-126-16R](#) [120-126-16Y](#) [120-126-24BL](#) [120-126-28BL](#) [120-126-32BL](#) [120-126-40](#) [120-126-48](#) [120-126-48BL](#) [1300980012](#) [1300980105](#) [DBZM-6828](#) [1498](#) [15190-103 R2](#)