



<b>DATA SHEET</b>	53016610
<b>SKINTOP® BS NPT</b>	valid from : 26.02.2016

The SKINTOP® BS NPT with polyamide spiral strain relief, is particularly used for flexible cables a handheld equipment, moving machine parts and in many applications of the instrument industry.  
The SKINTOP® BS NPT with spiral affords protection against conductor damage.



**Components:**

Gland body	Polyamide
Cap nut with integrated spiral	Polyamide
Sealing ring	CR

**Technical features:**

Connecting thread	NPT 3/8" up to NPT 3/4" acc. to ANSI/ASME B1.20.1-1983.
Functional thread	Multi-start trapezoidal thread
Protection class / NEMA Type Rating	IP68 - 5 bar, test acc. to EN 60529 NEMA Type 1 und Type 12
Strain relief	In accordance to DIN VDE 0619
Temperature range	-20 °C up to +80 °C
Colour	RAL 7001 silver-grey RAL 9005 black, UV-resistant

**Approvals:**

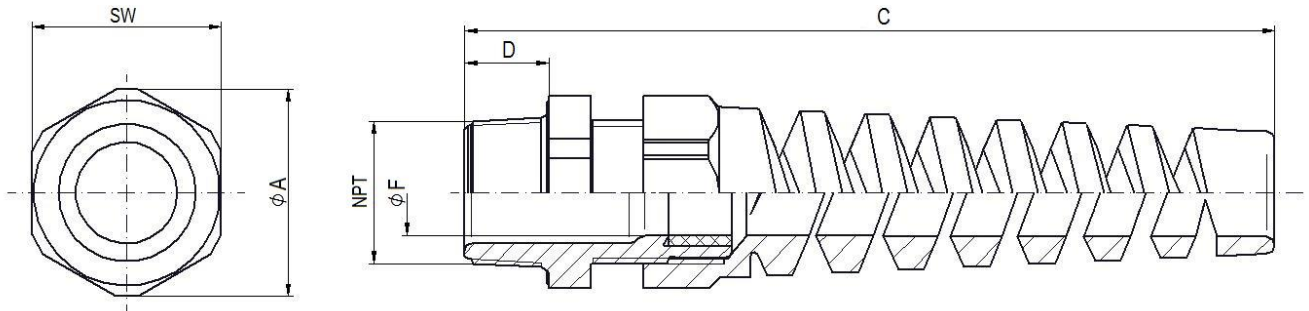


**Norm references:**



For more information please see our current catalogue.

<b>DATA SHEET</b>	53016610
<b>SKINTOP® BS NPT</b>	valid from : 26.02.2016



NPT	SW [mm]	Ø A [mm]	C [mm]		D [mm]	Ø F [mm] Clamping range	Article No.	
			min.	max.			RAL 7001	RAL 9005
NPT 3/8"	19	21,0	74,0	80,5	15	3,5-8	53016610	53016810
NPT 1/2"	24	26,5	96,5	104,0	15	5-12	53016630	53016830
NPT 3/4"	33	36,0	126,0	133,0	15	13-18	53016650	53016850

## X-ON Electronics

Largest Supplier of Electrical and Electronic Components

*Click to view similar products for [Cable Glands, Strain Reliefs & Cord Grips](#) category:*

*Click to view products by [Lapp Kabel](#) manufacturer:*

Other Similar products are found below :

[120-116-1-1-20BP](#) [120-116-1-1-32BE](#) [120-117-40](#) [120-123-14](#) [120-123-16](#) [120-125-16](#) [120-125-16R](#) [120-125-16Y](#) [120-125-24Y](#) [120-125-28](#) [120-125-28R](#) [120-125-32](#) [120-125-32R](#) [120-125-40](#) [120-125-56](#) [120-126-14](#) [120-126-16](#) [120-126-20](#) [120-126-20BL](#) [120-126-20R](#) [120-126-24](#) [120-126-28](#) [120-126-32](#) [120-126-40BL](#) [120-116-1-1-06BP-509](#) [120-116-1-1-06CP](#) [120-116-1-1-16BE](#) [120-116-1-1-28BP](#) [120-123-20](#) [120-123-24](#) [120-123-32](#) [120-125-20](#) [120-125-20Y](#) [120-125-24](#) [120-125-24R](#) [120-125-28Y](#) [120-126-14BL](#) [120-126-16R](#) [120-126-16Y](#) [120-126-24BL](#) [120-126-28BL](#) [120-126-32BL](#) [120-126-40](#) [120-126-48](#) [120-126-48BL](#) [1300980012](#) [1300980105](#) [DBZM-6828](#) [1498](#) [15190-103 R2](#)