

## SKINTOP® ST-M

SKINTOP® ST-M, increased oil-resistant plastic cable gland with variable clamping ranges, permanent vibration protection, for offshore platforms

### Info

Now with IP69 approval! Proven to withstand the most demanding cleaning procedures for industrial machinery with high-pressure cleaners and hot water!



Variety of approval certifications



Temperature-resistant



Optimum strain relief



Assembly time



Maximum vibration protection



Wide clamping range



Good chemical resistance

## SKINTOP® ST-M

### Benefits

High oil-resistance for maximum reliability  
Permanent vibration protection  
Wide, variable clamping ranges  
Optimum strain relief  
Various accessories (e.g. multiple sealing inserts)

### Application range

Used in areas where a lot of cables and wires need to be inserted into housings with minimum space requirements  
Machine and equipment manufacturing  
Photovoltaic  
Automation technology  
Offshore platforms, equipment and shipyards

### Norm references / Approvals

UL File Nr. E79903  
GGVS: TÜ.EGG.020-95

### Product Make-up

Metric connection thread acc. to DIN EN 60423  
Basis for technical information DIN IEC 62444

### Note

Refer to SKINTOP® metric accessories for suitable accessories  
Counter nut to be used: SKINTOP® GMP-GL-M  
SKINTOP® ST(R) M ISO types have an extra-long connection thread  
SKINTOP® ST(R) M ISO versions with extra-long connection thread, see table, no DNV approval

### Technical Data

Classification ETIM 5:	ETIM 5.0 Class-ID: EC000441 ETIM 5.0 Class-Description: Cable screw gland
Classification ETIM 6:	ETIM 6.0 Class-ID: EC000441 ETIM 6.0 Class-Description: Cable screw gland
Caution:	Refer to Appendix T21 for the installation dimensions and torques Size M 40 x 1,5 up to M 63 x 1,5 with O-ring
Colour delivered:	Silver grey (RAL 7001) Light grey (RAL 7035) Black (RAL 9005), UV-resistant
Material:	Body: Polyamide Seal: CR
Tests:	GGVS: TÜ.EGG.020-95
Protection rating:	IP 68 - 5 bar IP 69
Temperature range:	Fixed: -40°C to +100°C Dynamic: -20°C to +100°C

**SKINTOP® ST-M****Note**

Photographs and graphics are not to scale and do not represent detailed images of the respective products.  
Prices are net prices without VAT and surcharges. Sale to business customers only.

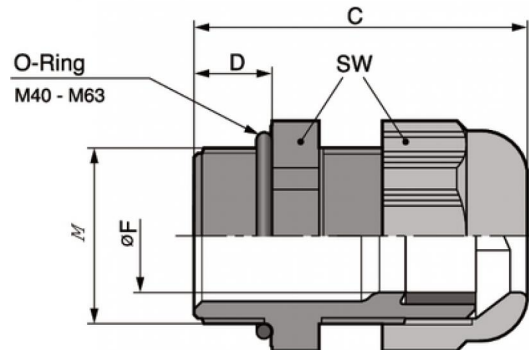
Article number	Article designation / size	Clamping range ØF (mm)	SW wrench size mm	Overall length, C (mm)
<b>SKINTOP® ST-M silver grey</b>				
53111000	M 12 x 1,5	3.5 - 7	15	30.0
53111010	M 16 x 1,5	4 - 10	19	34.0
53111020	M 20 x 1,5	6 - 13	25	37.0
53111030	M 25 x 1,5	8 - 17	30	40.0
53111040	M 32 x 1,5	9 - 21	36	47.0
53111050	M 40 x 1,5	16 - 28	46	52.0
53111060	M 50 x 1,5	27 - 34	55	62.0
53111070	M 63 x 1,5	34 - 45	66	71.0
<b>SKINTOP® ST-M black</b>				
53111200	M 12 x 1,5	3.5 - 7	15	30.0
53111210	M 16 x 1,5	4 - 10	19	34.0
53111220	M 20 x 1,5	6 - 13	25	37.0
53111230	M 25 x 1,5	8 - 17	30	40.0
53111240	M 32 x 1,5	9 - 21	36	47.0
53111250	M 40 x 1,5	16 - 28	46	52.0
53111260	M 50 x 1,5	27 - 34	55	62.0
53111270	M 63 x 1,5	34 - 45	66	71.0
<b>SKINTOP® ST-M light grey</b>				
53111400	M 12 x 1,5	3.5 - 7	15	30.0
53111410	M 16 x 1,5	4 - 10	19	34.0
53111420	M 20 x 1,5	6 - 13	25	37.0
53111430	M 25 x 1,5	8 - 17	30	40.0
53111440	M 32 x 1,5	9 - 21	36	47.0
53111450	M 40 x 1,5	16 - 28	46	52.0
53111460	M 50 x 1,5	27 - 34	55	62.0
53111470	M 63 x 1,5	34 - 45	66	71.0
<b>SKINTOP® ST M ISO silver-grey (with long metric connecting thread)</b>				
53017010	M 16 x 1,5 ISO	3.5 - 8	19	40.0
53017030	M 20 x 1,5 ISO	5 - 12	24	45.0
53017040	M 25 x 1,5 ISO	9 - 14	27	47.0
<b>SKINTOP® ST M ISO black (with long metric connecting thread)</b>				
53010000	M 12 x 1,5 ISO	3.5 - 7	15	36.7
53017210	M 16 x 1,5 ISO	3.5 - 8	19	40.0
53017230	M 20 x 1,5 ISO	5 - 12	24	45.0

Last Update (10.04.2018)  
 ©2018 Lapp Group - Technical changes reserved  
 Product Management www.lappkabel.de  
 You can find the current technical data in the corresponding data sheet.  
 PN 0456 / 02\_03\_16

Article number	Article designation / size	Clamping range ØF (mm)	SW wrench size mm	Overall length, C (mm)
53017240	M 25 x 1,5 ISO	9 - 14	27	47.0

Last Update (10.04.2018)  
 ©2018 Lapp Group - Technical changes reserved  
 Product Management [www.lappkabel.de](http://www.lappkabel.de)  
 You can find the current technical data in the corresponding data sheet.  
 PN 0456 / 02\_03.16

## SKINTOP® ST-M



## X-ON Electronics

Largest Supplier of Electrical and Electronic Components

*Click to view similar products for [Cable Glands, Strain Reliefs & Cord Grips](#) category:*

*Click to view products by [Lapp Kabel](#) manufacturer:*

Other Similar products are found below :

[120-116-1-1-20BP](#) [120-116-1-1-32BE](#) [120-117-40](#) [120-123-14](#) [120-123-16](#) [120-125-16](#) [120-125-16R](#) [120-125-16Y](#) [120-125-24Y](#) [120-125-28](#) [120-125-28R](#) [120-125-32](#) [120-125-32R](#) [120-125-40](#) [120-125-56](#) [120-126-14](#) [120-126-16](#) [120-126-20](#) [120-126-20BL](#) [120-126-20R](#) [120-126-24](#) [120-126-28](#) [120-126-32](#) [120-126-40BL](#) [120-116-1-1-06BP-509](#) [120-116-1-1-06CP](#) [120-116-1-1-16BE](#) [120-116-1-1-28BP](#) [120-123-20](#) [120-123-24](#) [120-123-32](#) [120-125-20](#) [120-125-20Y](#) [120-125-24](#) [120-125-24R](#) [120-125-28Y](#) [120-126-14BL](#) [120-126-16R](#) [120-126-16Y](#) [120-126-24BL](#) [120-126-28BL](#) [120-126-32BL](#) [120-126-40](#) [120-126-48](#) [120-126-48BL](#) [1300980012](#) [1300980105](#) [DBZM-6828](#) [1498](#) [15190-103 R2](#)