

## SKINTOP® CLICK

SKINTOP® CLICK, plastic cable gland with time-saving CLICK system, simple, free assembly and vibration protection, no thread required



Good chemical resistance



Wide clamping range



Assembly time



Temperature-resistant



UV-resistant



Variety of approval certifications



### Info

The most innovative cable insertion system in the market for a fast and highly flexible assembly. Simply click in - turn to the left - turn to the right - finished. The result: fixed, centred, strain-relieved fitting and maximum protection class in a few seconds.

### Application range

Automation technology  
Solar applications  
Control cabinet manufacturing  
Measurement, control and electrical applications  
Air-conditioning technology

### Benefits

Fewer parts, counter nut no longer needed  
Save up to 70% of the time with the innovative CLICK system  
Simple, free assembly in any position  
Vibration protection  
No thread required

### Norm references / Approvals

UL File Nr. E79903

### Included

Included: disassembly tool

### Technical Data

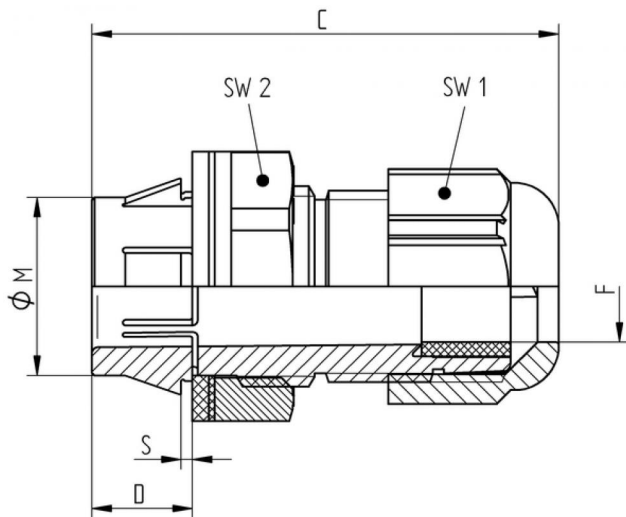
Classification:	ETIM 5.0 Class-ID: EC000441 ETIM 5.0 Class-Description: Cable screw gland
Colour delivered:	Silver grey (RAL 7001) Light grey (RAL 7035) Black (RAL 9005), UV-resistant
Material:	Body: special polyamide Seal: special elastomer
Protection rating:	IP 68 - 4 bar (M12) IP 68 - 5 bar (M16 - M32)
Temperature range:	Dynamic: -20°C to +100°C Fixed: -40°C to +100°C

**SKINTOP® CLICK****Note**

Photographs are not to scale and do not represent detailed images of the respective products.

Part number	Article designation / size	Clamping range ØF (mm)	M (hole in mm)	SW1/SW2 mm	Overall length/ C (mm)	Thread (mm)
SKINTOP® CLICK light grey						
53112692	CLICK 12	4,5 - 7	12.3 (-0.2)	15 / 18	40.0	8.0
53112686	CLICK 16	5 - 9	16.3 (-0.2)	19 / 22	42.0	8.0
53112687	CLICK 20	7 - 13	20.3 (-0.2)	25 / 27	45,5	8.0
53112688	CLICK 25	9 - 17	25.3 (-0.2)	30 / 34	48,5	8.0
53112694	CLICK 32	11 - 21	32.3 (-0.2)	36 / 40	55.0	8.0
SKINTOP® CLICK silver grey						
53112921	CLICK 12	4,5 - 7	12.3 (-0.2)	15 / 18	40.0	8.0
53112876	CLICK 16	5 - 9	16.3 (-0.2)	19 / 22	42.0	8.0
53112877	CLICK 20	7 - 13	20.3 (-0.2)	25 / 27	45,5	8.0
53112878	CLICK 25	9 - 17	25.3 (-0.2)	30 / 34	48,5	8.0
53112922	CLICK 32	11 - 21	32.3 (-0.2)	36 / 40	55.0	8.0
SKINTOP® CLICK black						
53112923	CLICK 12	4,5 - 7	12.3 (-0.2)	15 / 18	40.0	8.0
53112882	CLICK 16	5 - 9	16.3 (-0.2)	19 / 22	42.0	8.0
53112883	CLICK 20	7 - 13	20.3 (-0.2)	25 / 27	45,5	8.0
53112884	CLICK 25	9 - 17	25.3 (-0.2)	30 / 34	48,5	8.0
53112924	CLICK 32	11 - 21	32.3 (-0.2)	36 / 40	55.0	8.0

**SKINTOP® CLICK**



## X-ON Electronics

Largest Supplier of Electrical and Electronic Components

*Click to view similar products for [Cable Glands, Strain Reliefs & Cord Grips](#) category:*

*Click to view products by [Lapp Kabel](#) manufacturer:*

Other Similar products are found below :

[120-116-1-1-20BP](#) [120-116-1-1-32BE](#) [120-117-40](#) [120-123-14](#) [120-123-16](#) [120-125-16](#) [120-125-16R](#) [120-125-16Y](#) [120-125-24Y](#) [120-125-28](#) [120-125-28R](#) [120-125-32](#) [120-125-32R](#) [120-125-40](#) [120-125-56](#) [120-126-14](#) [120-126-16](#) [120-126-20](#) [120-126-20BL](#) [120-126-20R](#) [120-126-24](#) [120-126-28](#) [120-126-32](#) [120-126-40BL](#) [120-116-1-1-06BP-509](#) [120-116-1-1-06CP](#) [120-116-1-1-16BE](#) [120-116-1-1-28BP](#) [120-123-20](#) [120-123-24](#) [120-123-32](#) [120-125-20](#) [120-125-20Y](#) [120-125-24](#) [120-125-24R](#) [120-125-28Y](#) [120-126-14BL](#) [120-126-16R](#) [120-126-16Y](#) [120-126-24BL](#) [120-126-28BL](#) [120-126-32BL](#) [120-126-40](#) [120-126-48](#) [120-126-48BL](#) [1300980012](#) [1300980105](#) [DBZM-6828](#) [1498](#) [15190-103 R2](#)