



| | |
|--------------------------|----------------------------|
| DATA SHEET | 53119000 |
| SKINTOP® GMP-GL-M | valid from : 30.05.2016 |

The SKINTOP® GMP-GL-M, a hexagonal locknut of glass-fibre reinforced polyamide, is used where cable glands are attached but there is only a pass-through hole.

When the cable gland is fixed in a thread, a higher protection against vibration can be attained with this locknut.



Technical features:

| | |
|-------------------|---|
| Material | Polyamide glass-fibre reinforced, HB acc. to UL 94 |
| Sizes | M12x1,5 up to M63x1,5 acc. to EN 60423 |
| Temperature range | Dynamic -20 °C up to +100 °C Statically -40 °C up to +100 °C |
| Colour | RAL 7001 silver-grey RAL 7035 light-grey RAL 9005 black, UV-resistant |

Approvals:



UL File Nr. E79903

Norm references:



Note:

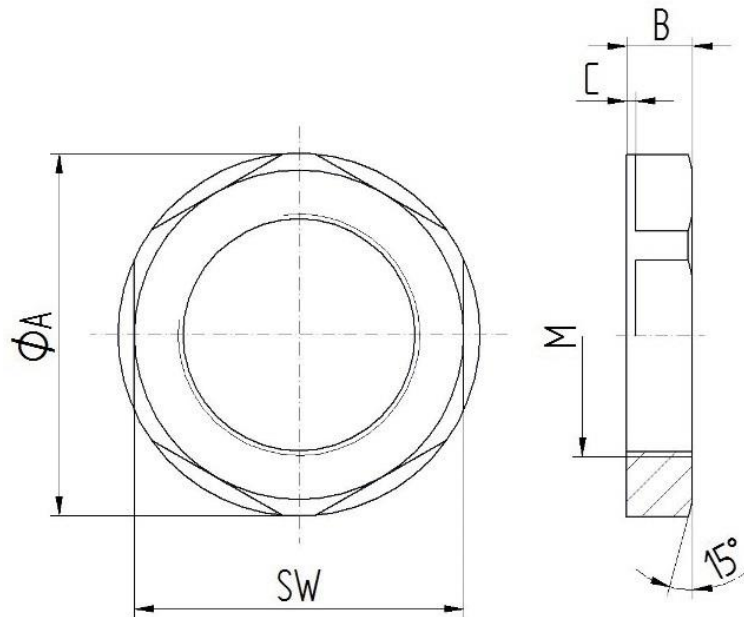
SKINTOP® GMP-GL can be at request also delivered without a collar.

SKINTOP® GMP-GL is UL-approved only by use with the UL-approved SKINTOP® polyamide cable glands.

For more information please see our current catalogue.

| | | |
|-----------------------------------|---------------------------|-------------|
| elaborated by: PDP: M. Wegerer | Document: DB53119000_06EN | page 1 of 2 |
|-----------------------------------|---------------------------|-------------|

| | |
|--------------------------|----------------------------|
| DATA SHEET | 53119000 |
| SKINTOP® GMP-GL-M | valid from : 30.05.2016 |



| M | SW [mm] | Ø A [mm] | B [mm] | C [mm] | Article No. RAL 7001 | Article No. RAL 9005 | Article No. RAL 7035 |
|---------|---------|----------|--------|--------|----------------------|----------------------|----------------------|
| M12x1,5 | 17 | 18,7 | 5 | 0,8 | 53119000 | 53119100 | 53119003 |
| M16x1,5 | 22 | 24,2 | 5 | 0,8 | 53119010 | 53119110 | 53119013 |
| M20x1,5 | 27 | 29,7 | 6 | 0,9 | 53119020 | 53119120 | 53119023 |
| M25x1,5 | 34 | 37,4 | 6 | 0,9 | 53119030 | 53119130 | 53119033 |
| M32x1,5 | 41 | 45,1 | 7 | 1 | 53119040 | 53119140 | 53119043 |
| M40x1,5 | 50 | 55 | 7 | 1 | 53119050 | 53119150 | 53119053 |
| M50x1,5 | 60 | 66 | 8 | 1,2 | 53119060 | 53119160 | 53119063 |
| M63x1,5 | 75 | 82,5 | 8 | 1,2 | 53119070 | 53119170 | 53119073 |

X-ON Electronics

Largest Supplier of Electrical and Electronic Components

Click to view similar products for [Cable Mounting & Accessories](#) category:

Click to view products by [Lapp Kabel](#) manufacturer:

Other Similar products are found below :

[HP-4N](#) [582603-1](#) [009333-000](#) [727844N003](#) [809090N001](#) [8109](#) [843188-000](#) [843459N001](#) [843460N003](#) [8666](#) [967279N002](#) [GPQC1/0](#) [DB-11](#) [1300830208](#) [1300840039](#) [1300900026](#) [1300990052](#) [1301740005](#) [1301800121](#) [1301800416](#) [1300830184](#) [1300990149](#) [1301580036](#) [1301720103](#) [1301720135](#) [1301720152](#) [1301720157](#) [1301740009](#) [1301770011](#) [1301850553](#) [1301860939](#) [1302000074](#) [1302264431](#) [1337706-2](#) [APA18-AK](#) [MTX6UTPSRC-C](#) [1-787307-1](#) [185491N001](#) [HP-6N](#) [C-202-C](#) [202C221-13-0](#) [OMTM-S10-C0](#) [205339-4](#) [CA7308-000](#) [8S23-75FR-CS8184](#) [2684](#) [9648](#) [3089](#) [988382-000](#) [A0270164](#)