



DATA SHEET	53119000
SKINTOP® GMP-GL-M	valid from : 30.05.2016

The SKINTOP® GMP-GL-M, a hexagonal locknut of glass-fibre reinforced polyamide, is used where cable glands are attached but there is only a pass-through hole.

When the cable gland is fixed in a thread, a higher protection against vibration can be attained with this locknut.



Technical features:

Material	Polyamide glass-fibre reinforced, HB acc. to UL 94
Sizes	M12x1,5 up to M63x1,5 acc. to EN 60423
Temperature range	Dynamic -20 °C up to +100 °C Statically -40 °C up to +100 °C
Colour	RAL 7001 silver-grey RAL 7035 light-grey RAL 9005 black, UV-resistant

Approvals:



UL File Nr. E79903

Norm references:



Note:

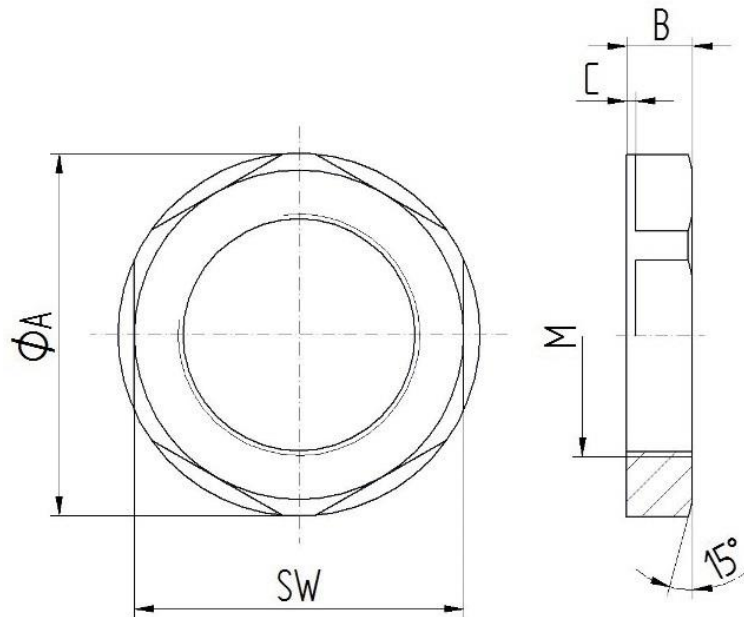
SKINTOP® GMP-GL can be at request also delivered without a collar.

SKINTOP® GMP-GL is UL-approved only by use with the UL-approved SKINTOP® polyamide cable glands.

For more information please see our current catalogue.

elaborated by: PDP: M. Wegerer	Document: DB53119000_06EN	page 1 of 2
-----------------------------------	---------------------------	-------------

DATA SHEET	53119000
SKINTOP® GMP-GL-M	valid from : 30.05.2016



M	SW [mm]	Ø A [mm]	B [mm]	C [mm]	Article No. RAL 7001	Article No. RAL 9005	Article No. RAL 7035
M12x1,5	17	18,7	5	0,8	53119000	53119100	53119003
M16x1,5	22	24,2	5	0,8	53119010	53119110	53119013
M20x1,5	27	29,7	6	0,9	53119020	53119120	53119023
M25x1,5	34	37,4	6	0,9	53119030	53119130	53119033
M32x1,5	41	45,1	7	1	53119040	53119140	53119043
M40x1,5	50	55	7	1	53119050	53119150	53119053
M50x1,5	60	66	8	1,2	53119060	53119160	53119063
M63x1,5	75	82,5	8	1,2	53119070	53119170	53119073

X-ON Electronics

Largest Supplier of Electrical and Electronic Components

Click to view similar products for [Cable Mounting & Accessories](#) category:

Click to view products by [Lapp Kabel](#) manufacturer:

Other Similar products are found below :

[HP-4N](#) [582603-1](#) [009333-000](#) [727844N003](#) [809090N001](#) [8109](#) [843188-000](#) [843459N001](#) [843460N003](#) [8666](#) [967279N002](#) [GPQC1/0](#) [DB-](#)
[11](#) [1300830208](#) [1300840039](#) [1300900026](#) [1300990052](#) [1301740005](#) [1301800121](#) [1301800416](#) [1300830184](#) [1300990149](#) [1301580036](#)
[1301720103](#) [1301720135](#) [1301720152](#) [1301720157](#) [1301740009](#) [1301770011](#) [1301850553](#) [1301860939](#) [1302000074](#) [1302264431](#)
[1337706-2](#) [APA18-AK](#) [MTX6UTPSRC-C](#) [1-787307-1](#) [185491N001](#) [HP-6N](#) [C-202-C](#) [202C221-13-0](#) [OMTM-S10-C0](#) [205339-4](#) [CA7308-](#)
[000](#) [8S23-75FR-CS8184](#) [2684](#) [9648](#) [3089](#) [988382-000](#) [A0270164](#)