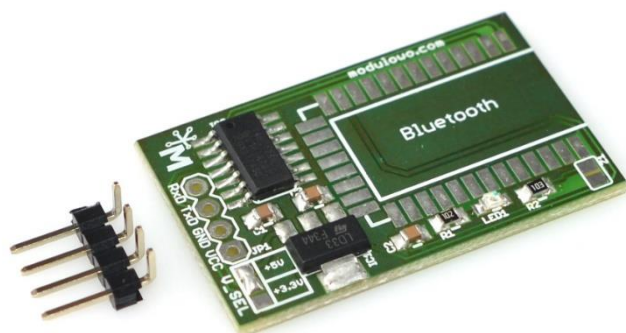


## MOD - 02

### Bluetooth Breakout Board



Store: [store.modulowo.com](https://store.modulowo.com)  
Tutorials: [academy.modulowo.com](https://academy.modulowo.com)  
Documentation and schematics: [products.modulowo.com](https://products.modulowo.com)  
Software and projects: [app.modulowo.com](https://app.modulowo.com)  
Blog: [blog.modulowo.com](https://blog.modulowo.com)

**Modułowo sp. z o.o.**  
ul. Mokotowska 1,  
00-640 Warszawa, POLAND  
E-mail: [info@modulowo.com](mailto:info@modulowo.com)

*The adapter designed for Bluetooth/UART's module, provides adequate power supply, adjust the voltage levels of UART serial transmission.*



A complete Bluetooth module is used for simple and wireless communication of devices, for example, between the microcontroller and the computer. Thanks to this device, which so far has been connected via the UART serial port, can now be used for easy wireless communication - simply connect UART leads to the Bluetooth module.

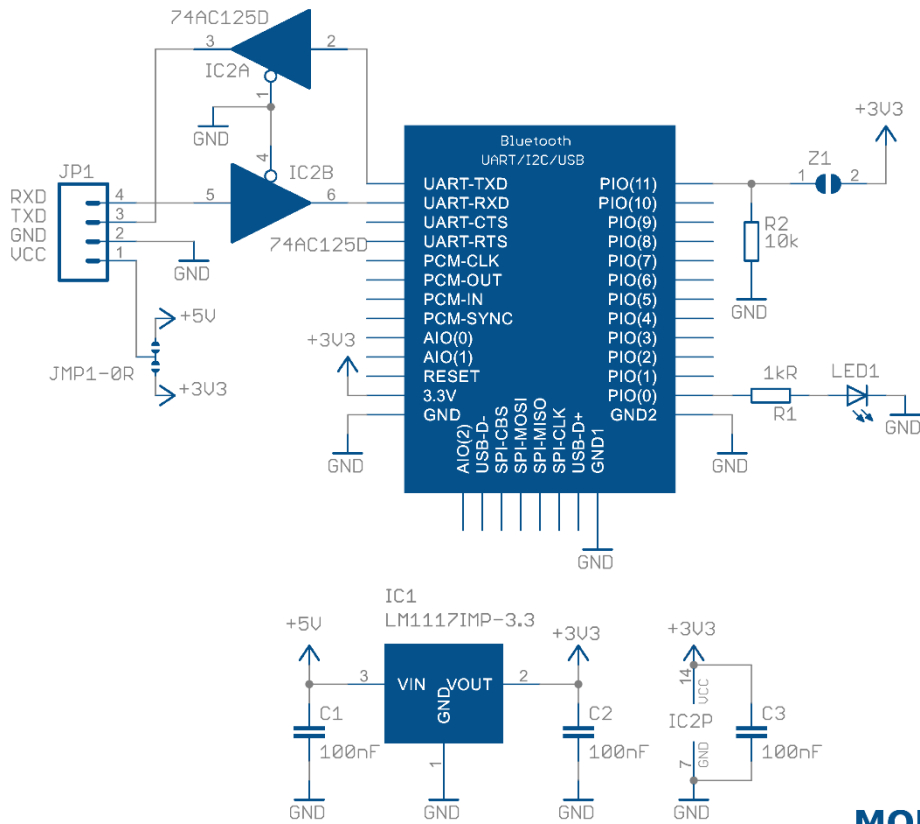
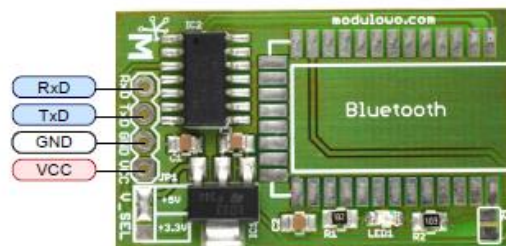
**Note!** The set does not include a Bluetooth module. The adapter works with HC05 or HC06 Bluetooth Module.

### Specifications:

<b>Code and Product Name</b>	MOD-02 Bluetooth Breakout Board
<b>Integrated Circuit</b>	LM1117-3.3
<b>Input Pins</b>	4 - pin
<b>Output Pins</b>	TX, RX, GND, VCC
<b>More Pins</b>	PROG Jumper
<b>Power</b>	+ 3.3 V / + 5 V (Jumper)
<b>LED Indication</b>	Yes
<b>Dimensions</b>	37 mm x 23 mm
<b>Configuration</b>	Supply Voltage Select SMD Jumper
<b>Additional Information</b>	tolerates + 3.3 / 5V Supply Voltage
	built-in + 3.3V stabiliser for Bluetooth's module

### Your list of modules

Each module has a unique serial number. Go to [www.modulowo.com/list](http://www.modulowo.com/list), enter the serial number and add the module to your list. This will allow quick access to the documentation and software.

**Schematic:**

**Pinouts:**


## X-ON Electronics

Largest Supplier of Electrical and Electronic Components

*Click to view similar products for [Development Boards & Kits - Other Processors](#) category:*

*Click to view products by [Modulowo](#) manufacturer:*

Other Similar products are found below :

[KIT\\_AURIX\\_TC233LP\\_TRB](#) [EVB-MEC1418MECC](#) [SPC56XVTOP-M](#) [ADZS-BF506F-EZLITE](#) [ADZS-SADA2-BRD](#) [20-101-1252](#)  
[T1023RDB-PC](#) [20-101-1267](#) [T1042D4RDB-PA](#) [ML610Q174](#) [REFERENCE BOARD](#) [MPC574XG-MB](#) [BSC9132QDS](#) [C29XPCIE-RDB](#)  
[KIT\\_TC1793\\_SK](#) [CC-ACC-18M433](#) [P1010RDB-PB](#) [P1020RDB-PD](#) [P2020COME-DS-PB](#) [STM8S/32-D/RAIS](#) [T4240RDB-PB](#) [TRK-USB-](#)  
[MPC5604B](#) [TWR-56F8200](#) [CY3674](#) [SPC58XXADPT176S](#) [MAX1464EVKIT](#) [TRK-MPC5606B](#) [RTE510Y470TGB00000R](#) [STM8128-](#)  
[MCKIT](#) [MAXQ622-KIT#](#) [YRPBRL78G11](#) [SPC58EEMU](#) [QB-R5F10JGC-TB](#) [YQB-R5F11BLE-TB](#) [SPC564A70AVB176](#)  
[RTE5117GC0TGB00000R](#) [QB-R5F100LE-TB](#) [YR0K50571MS000BE](#) [YQB-R5F1057A-TB](#) [QB-R5F104PJ-TB](#) [CC-ACC-ETHMX](#)  
[LFM34INTPQA](#) [SPC563M64A176S](#) [Y-BLDC-SK-RL78F14](#) [P1021RDB-PC](#) [SPC58XCADPT176S](#) [RTE510MPG0TGB00000R](#)  
[YRPBRX71M](#) [LFMAJ04PLT](#) [KITAURIXTC234LPSTRBTOBO1](#) [OV-7604-C7-EVALUATION-BOARD](#)